



Gambody
MAKE GAME REAL

WARTHOG M12B

3D Printing Model

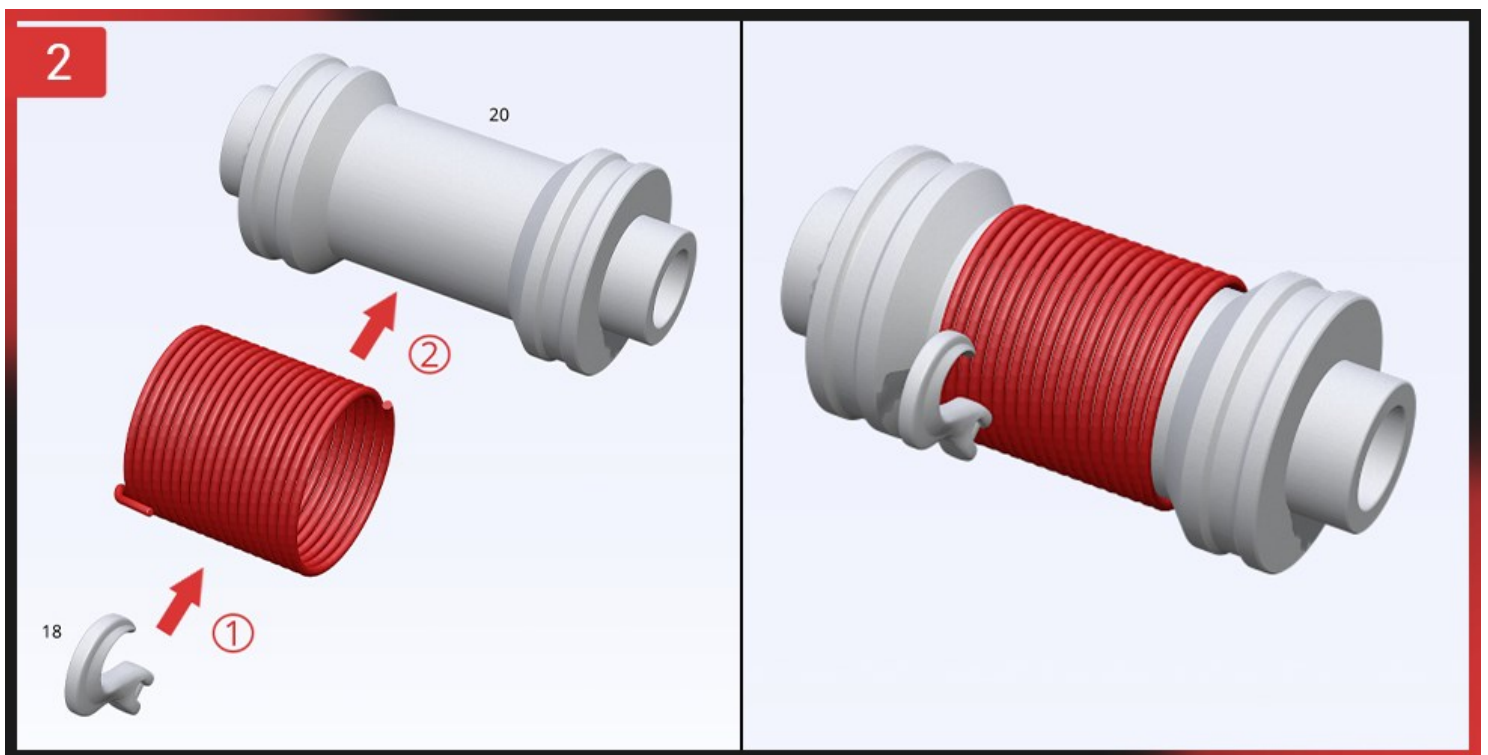
Assembly Manual

FOR **DLP/SLA**

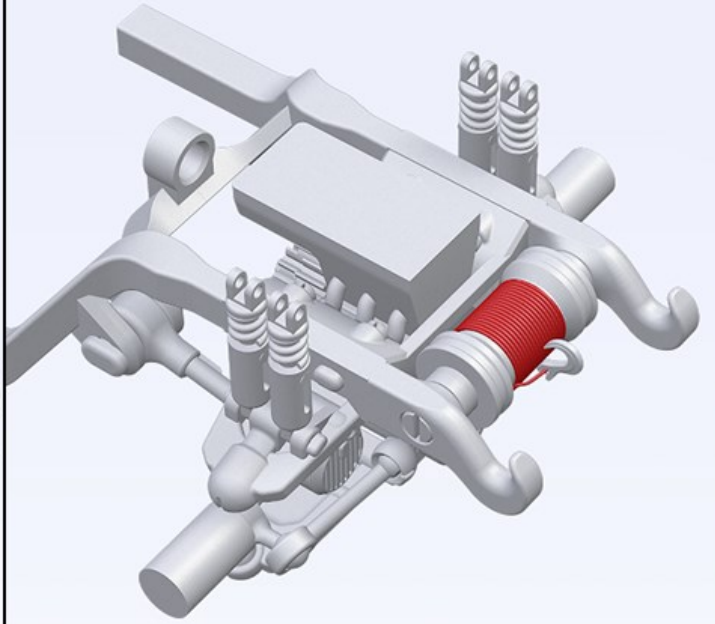
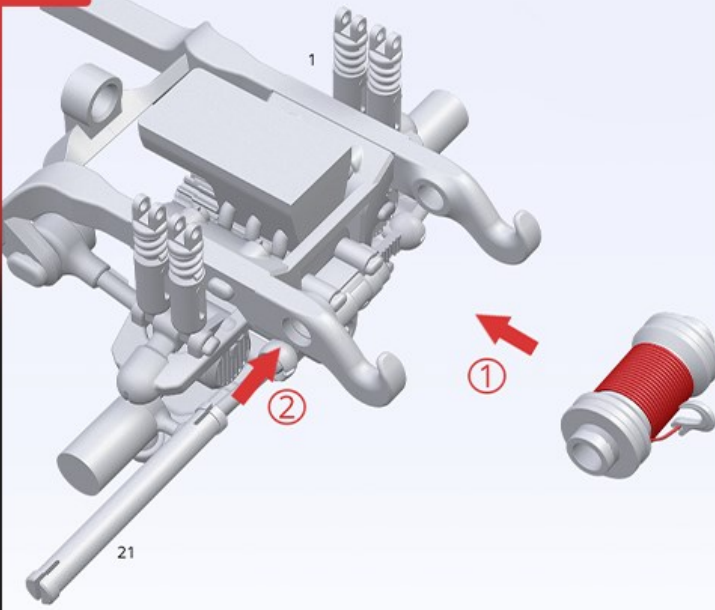


Wheels and Frame

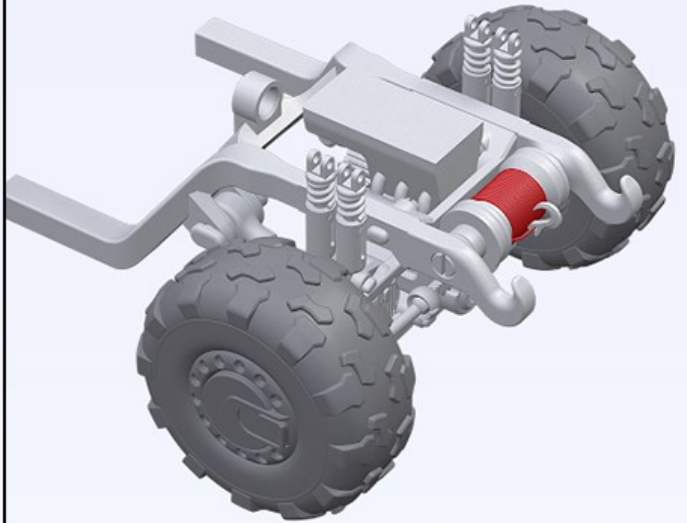
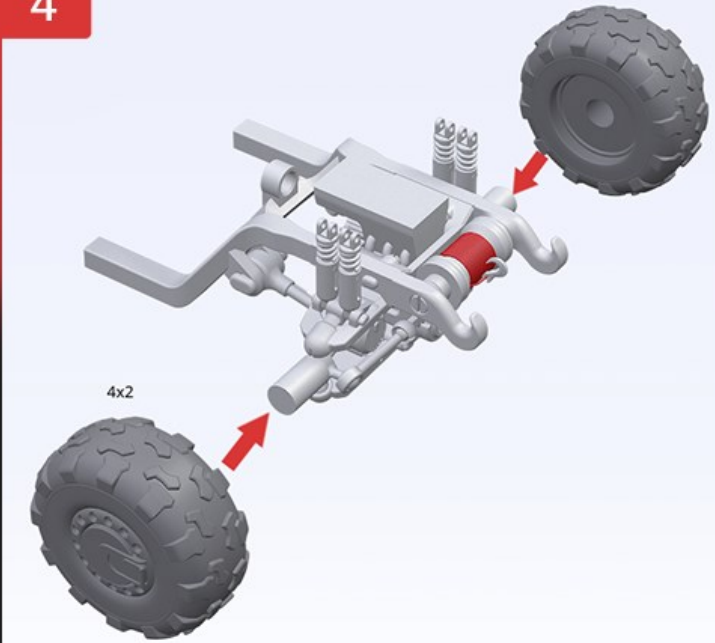
1
Red pins and tow hook
winding are fragments
1.75mm filament

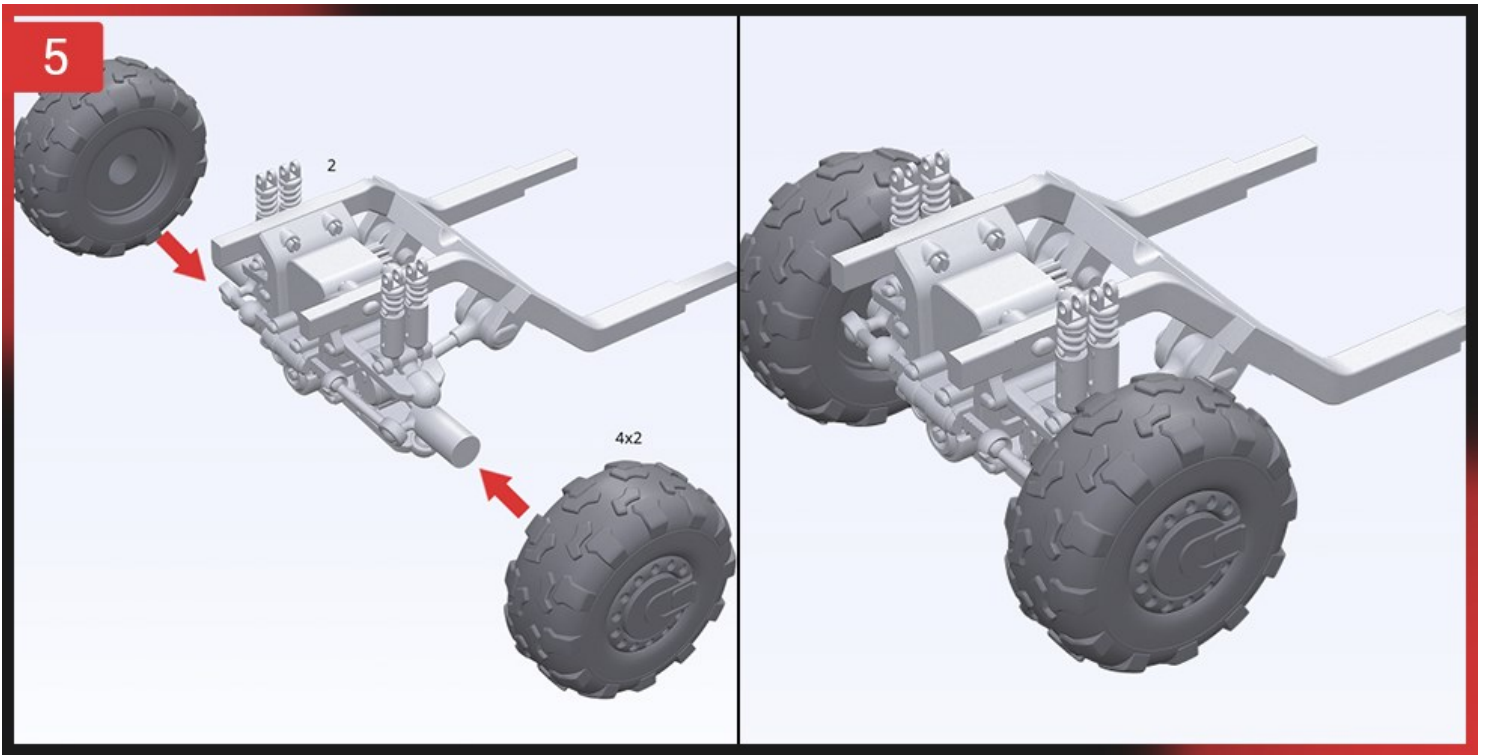


3

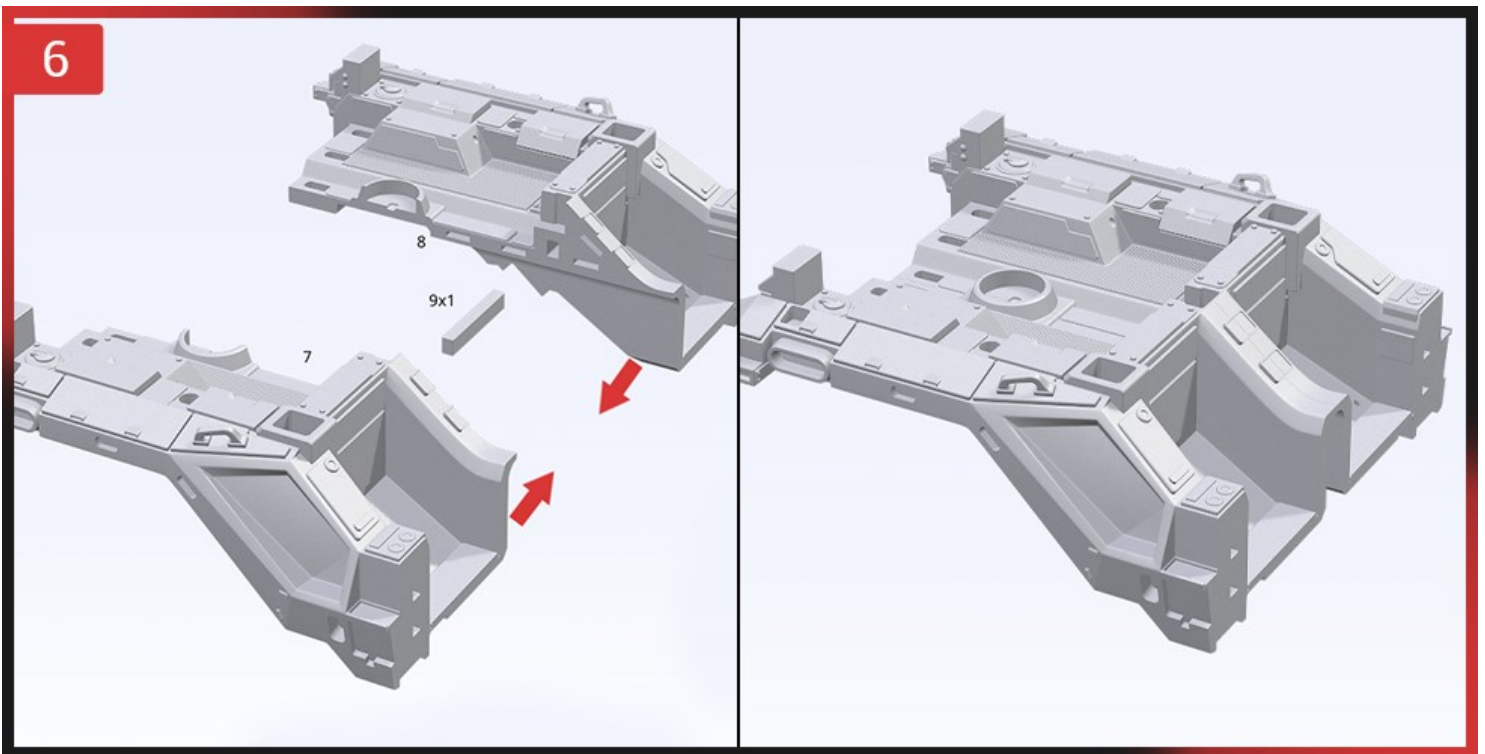


4

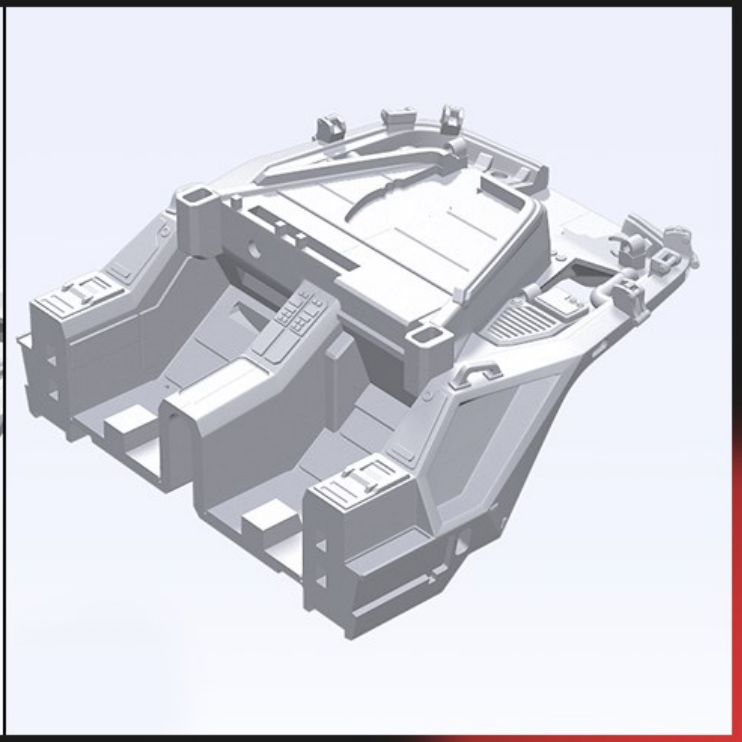
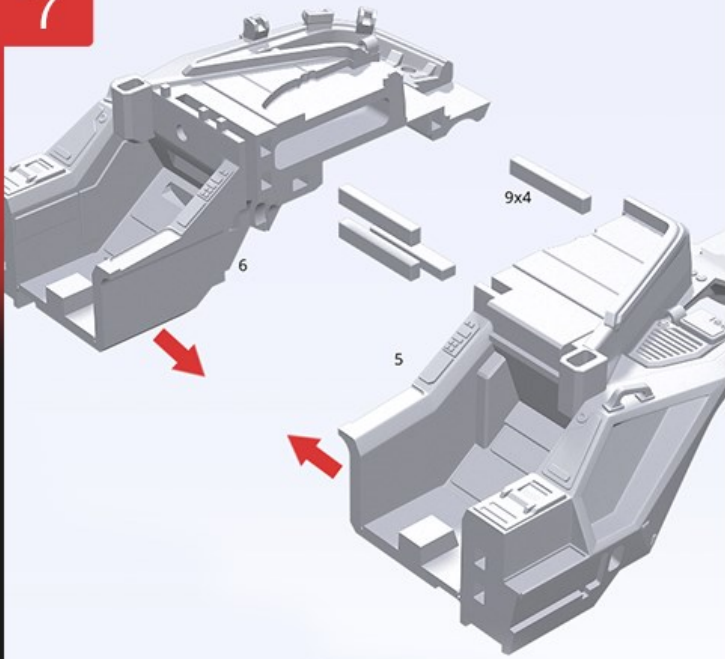




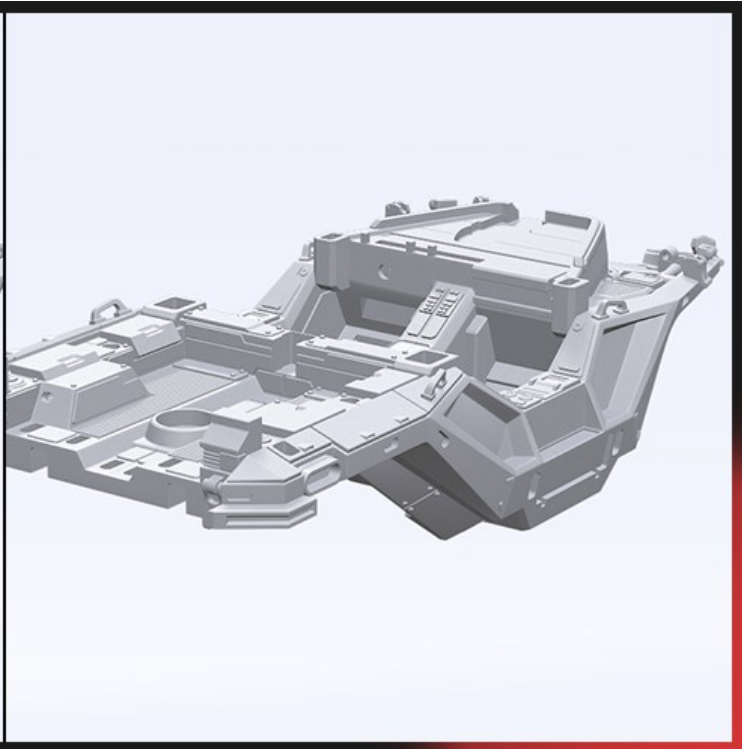
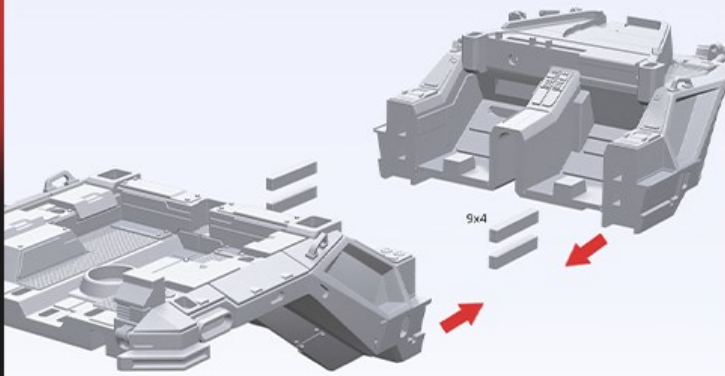
Body



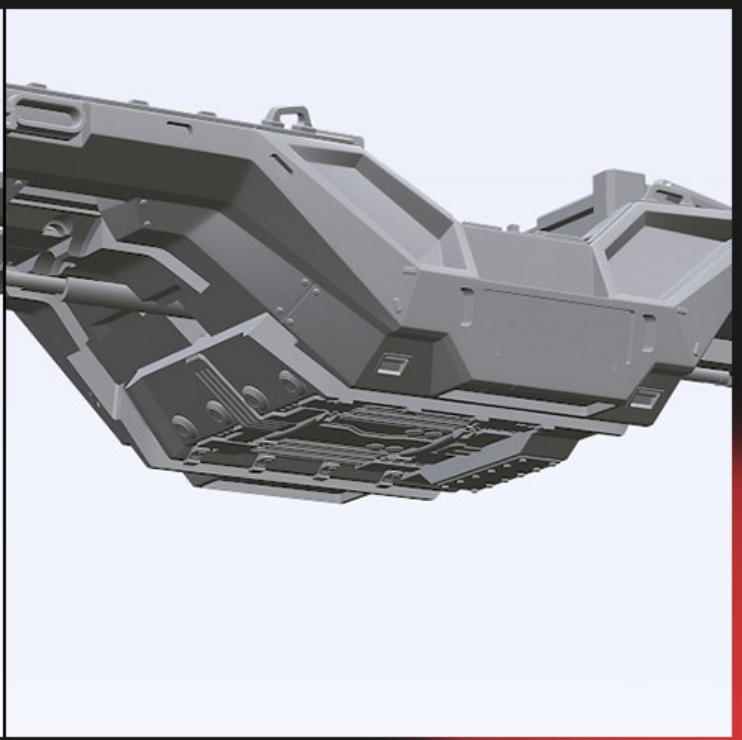
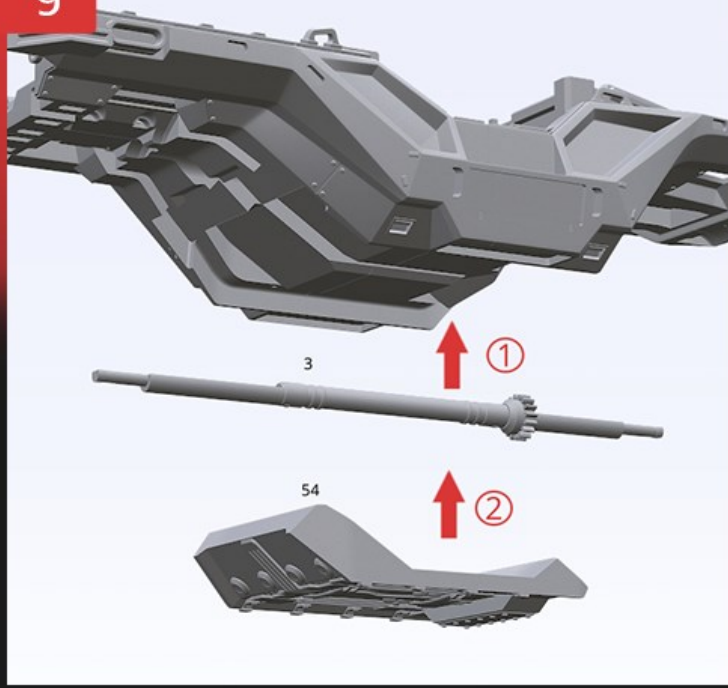
7



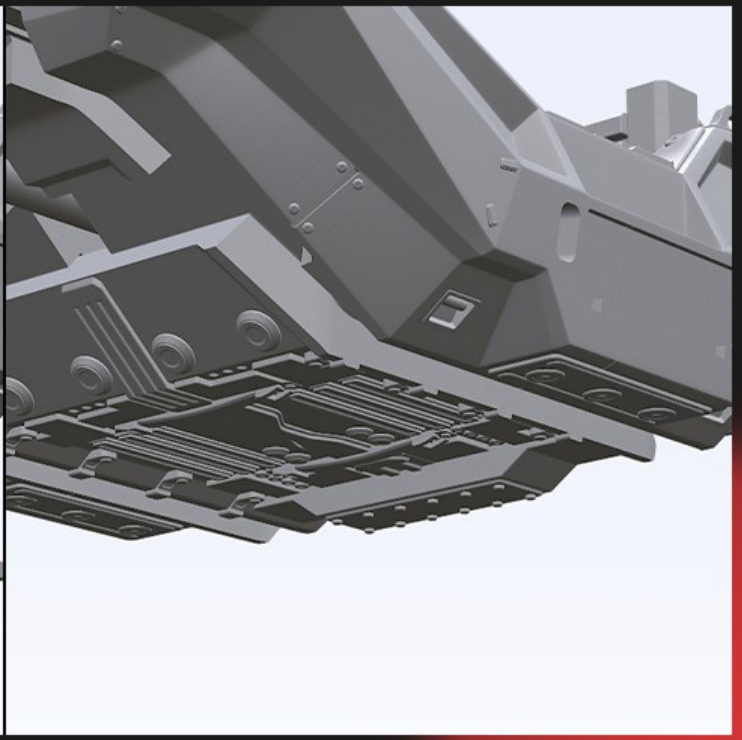
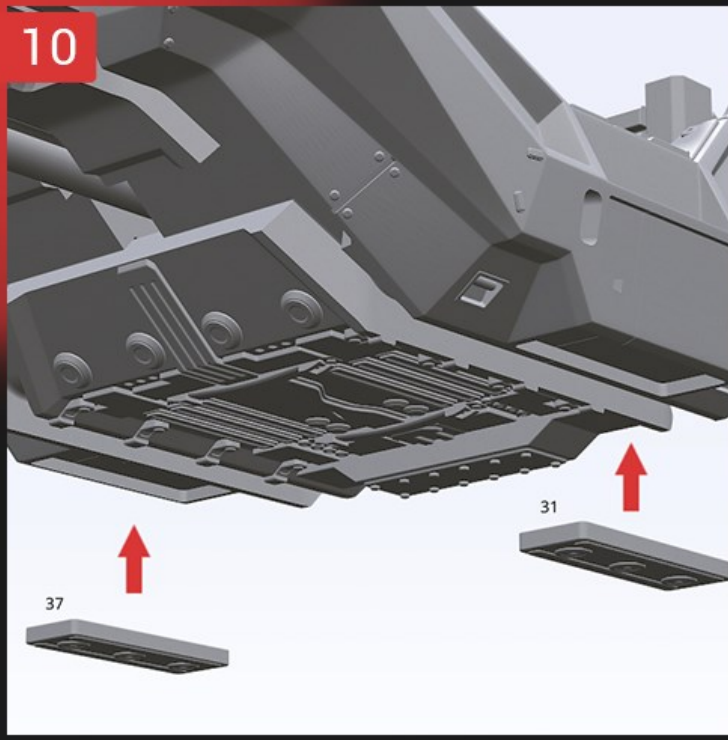
8



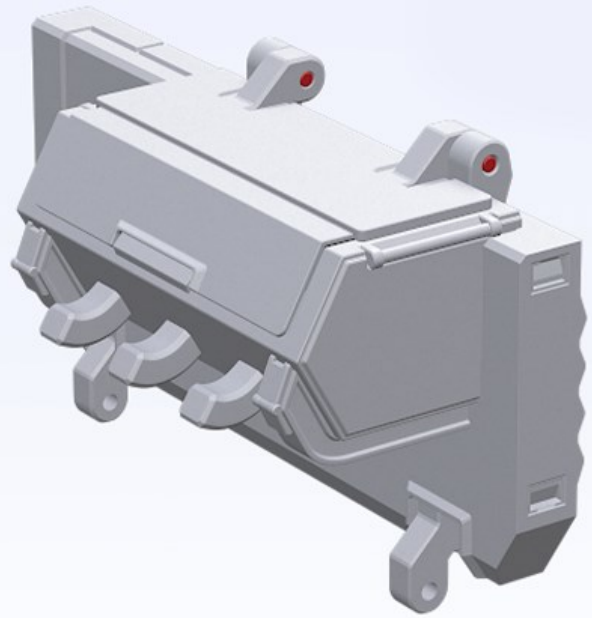
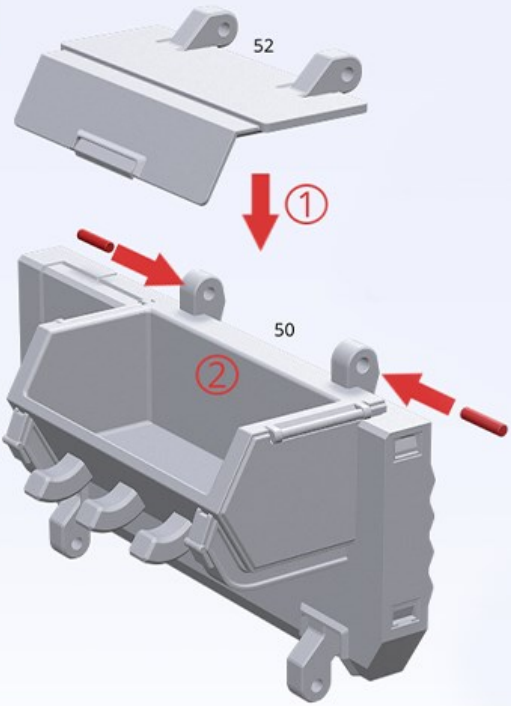
9



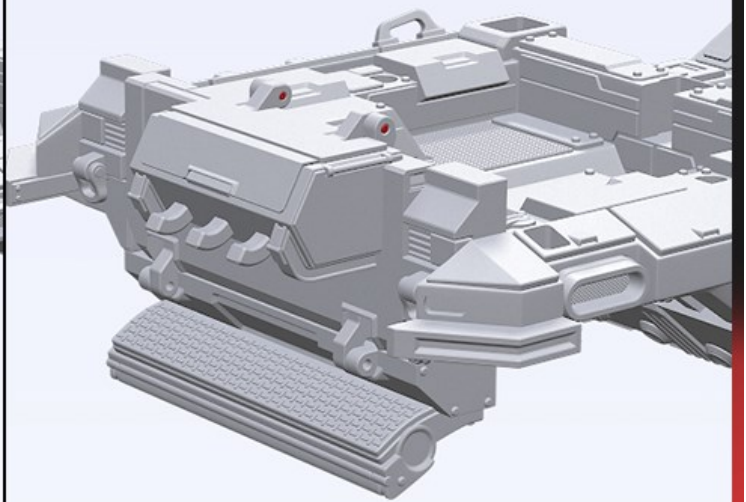
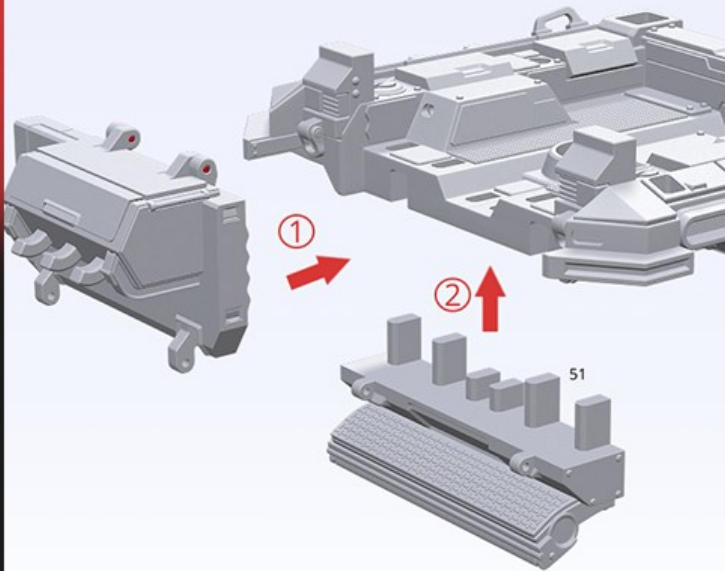
10



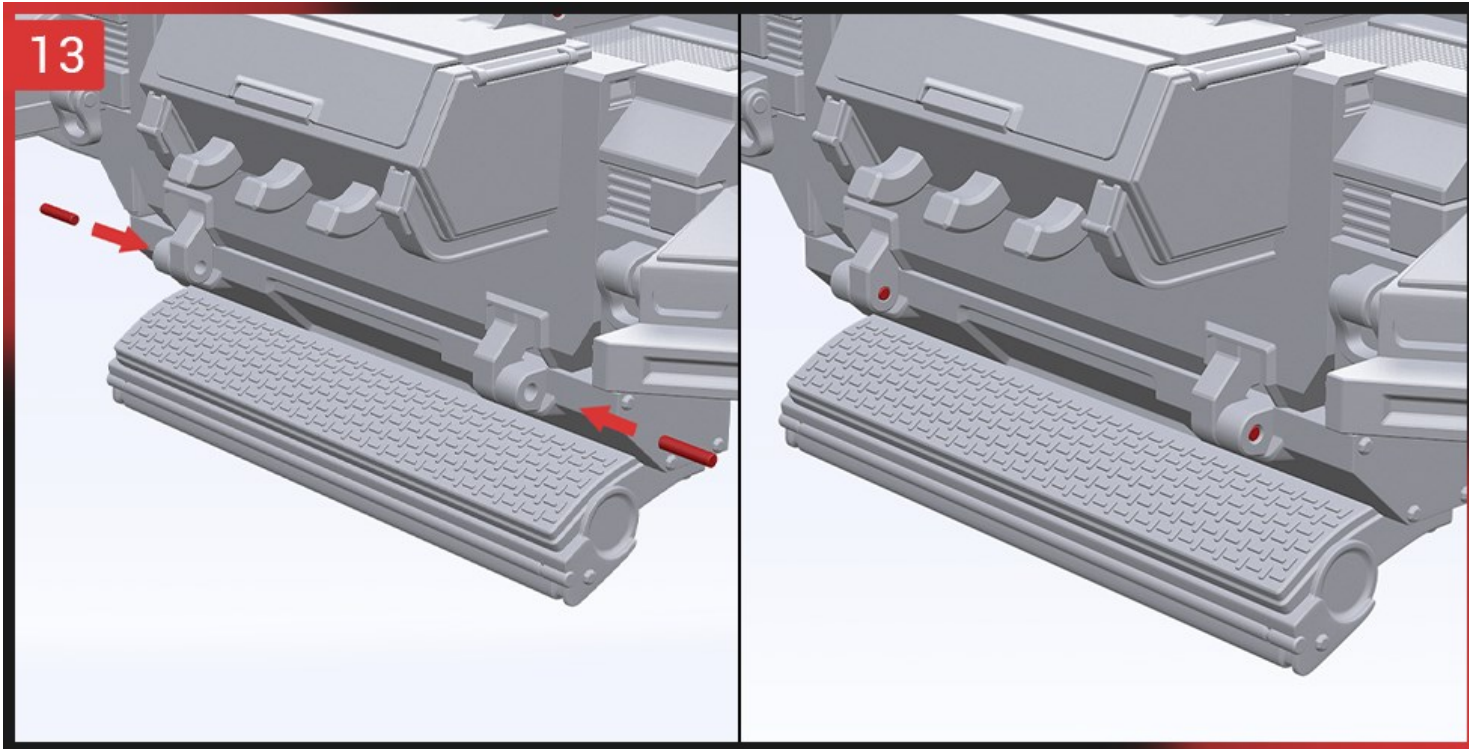
11



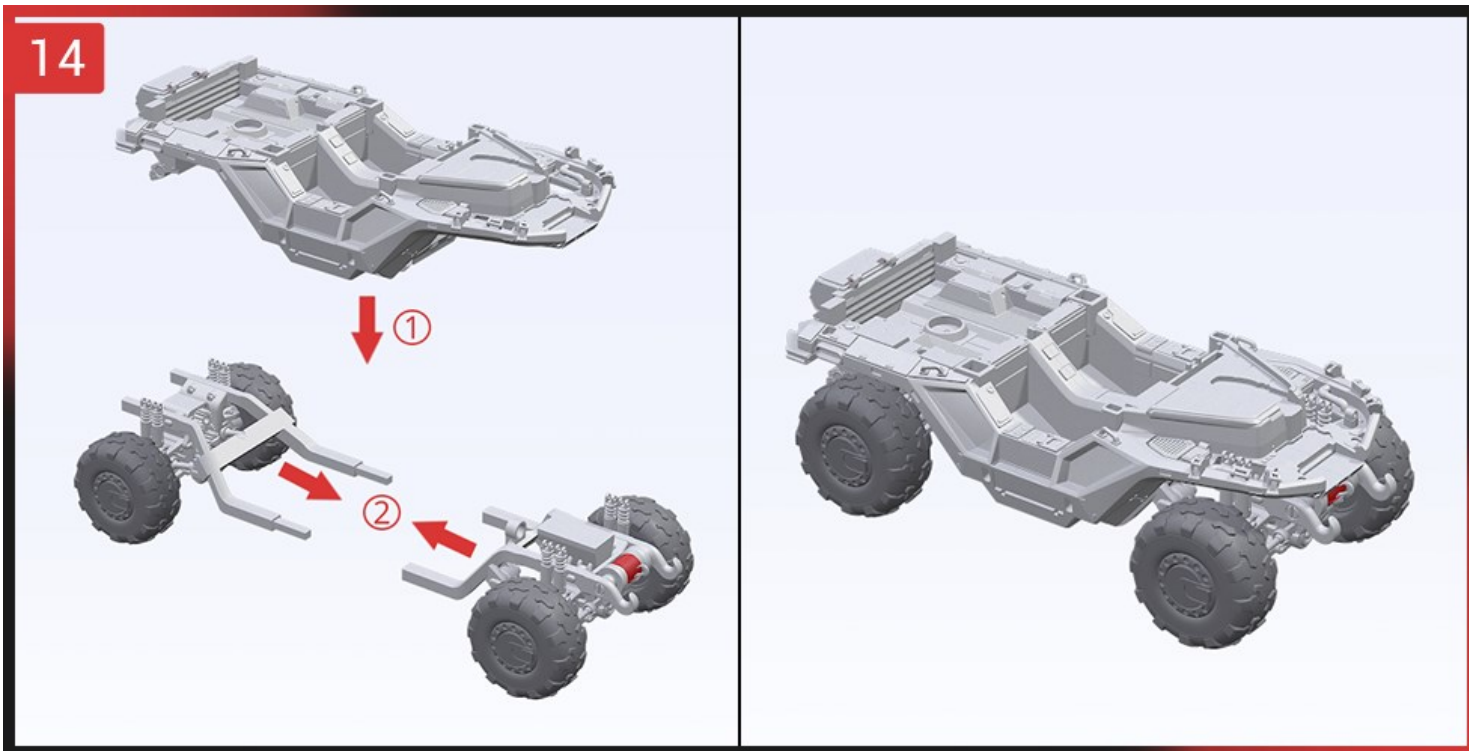
12



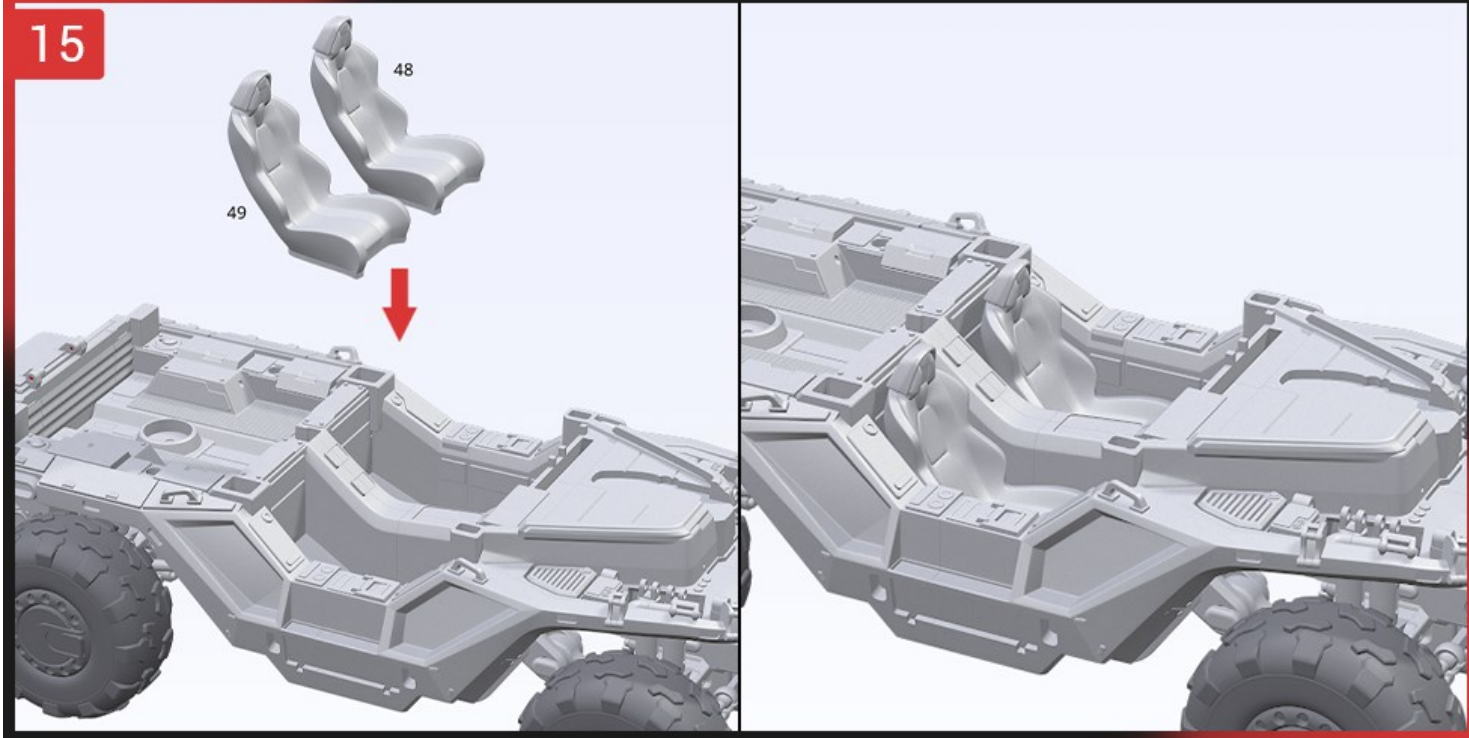
13



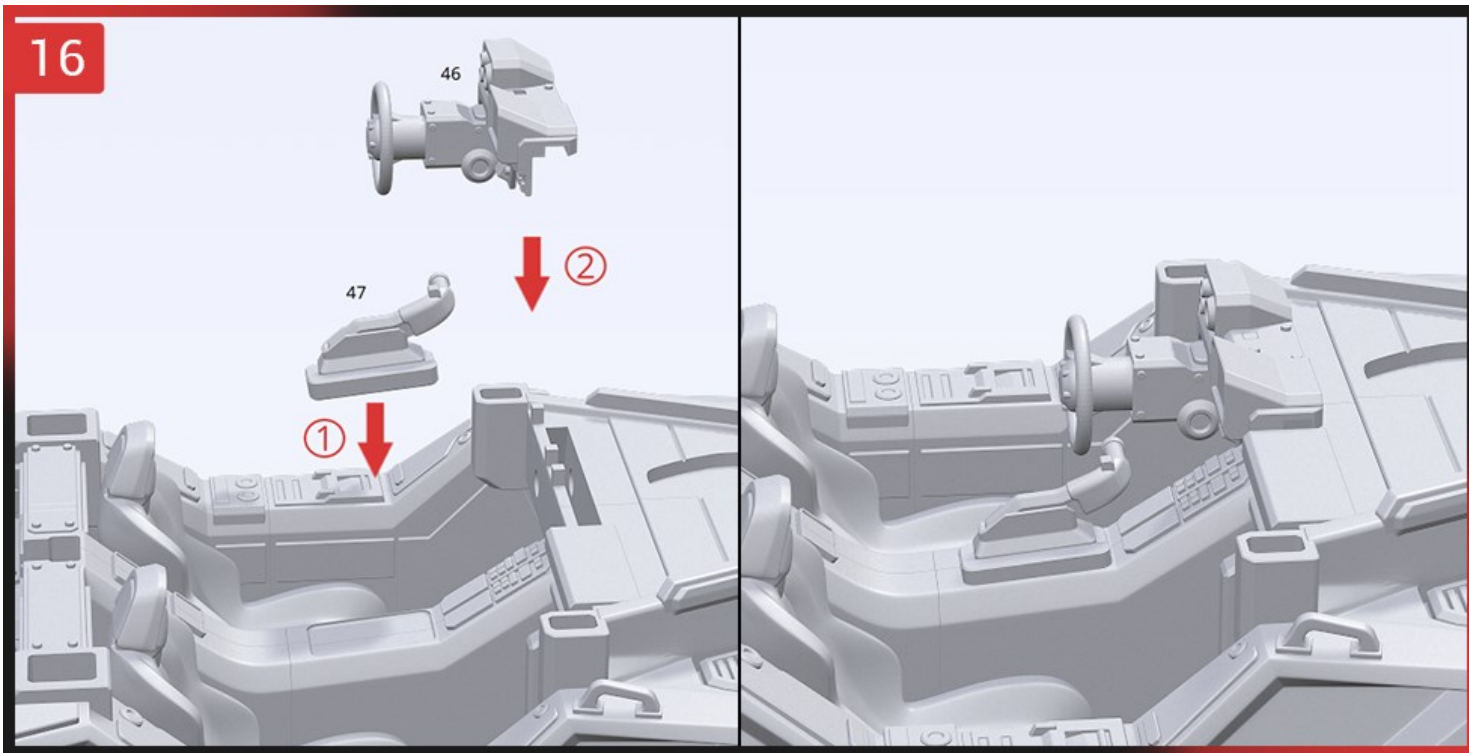
14



15



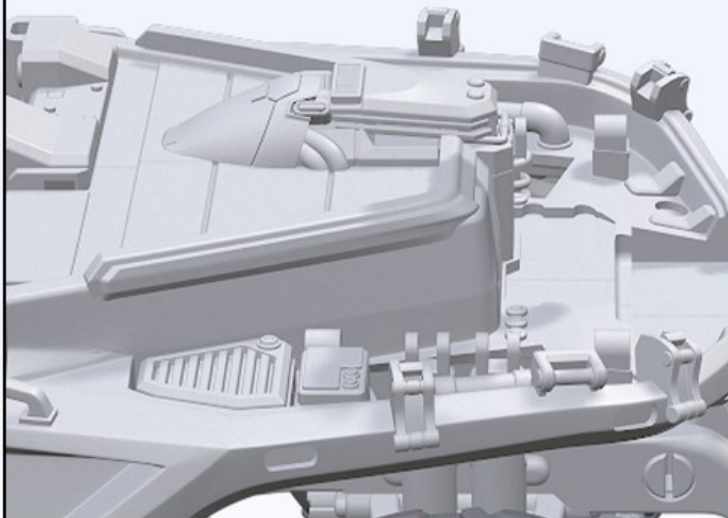
16



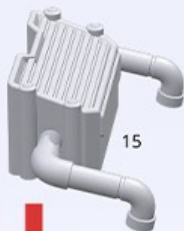
17



16



18



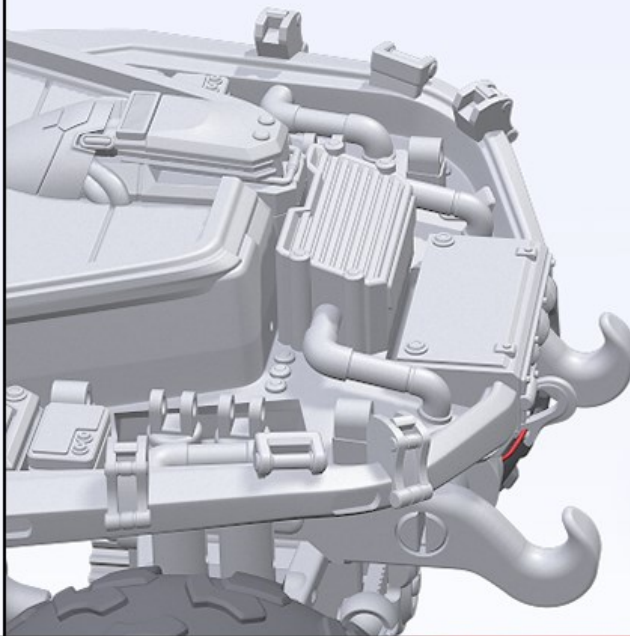
15

②

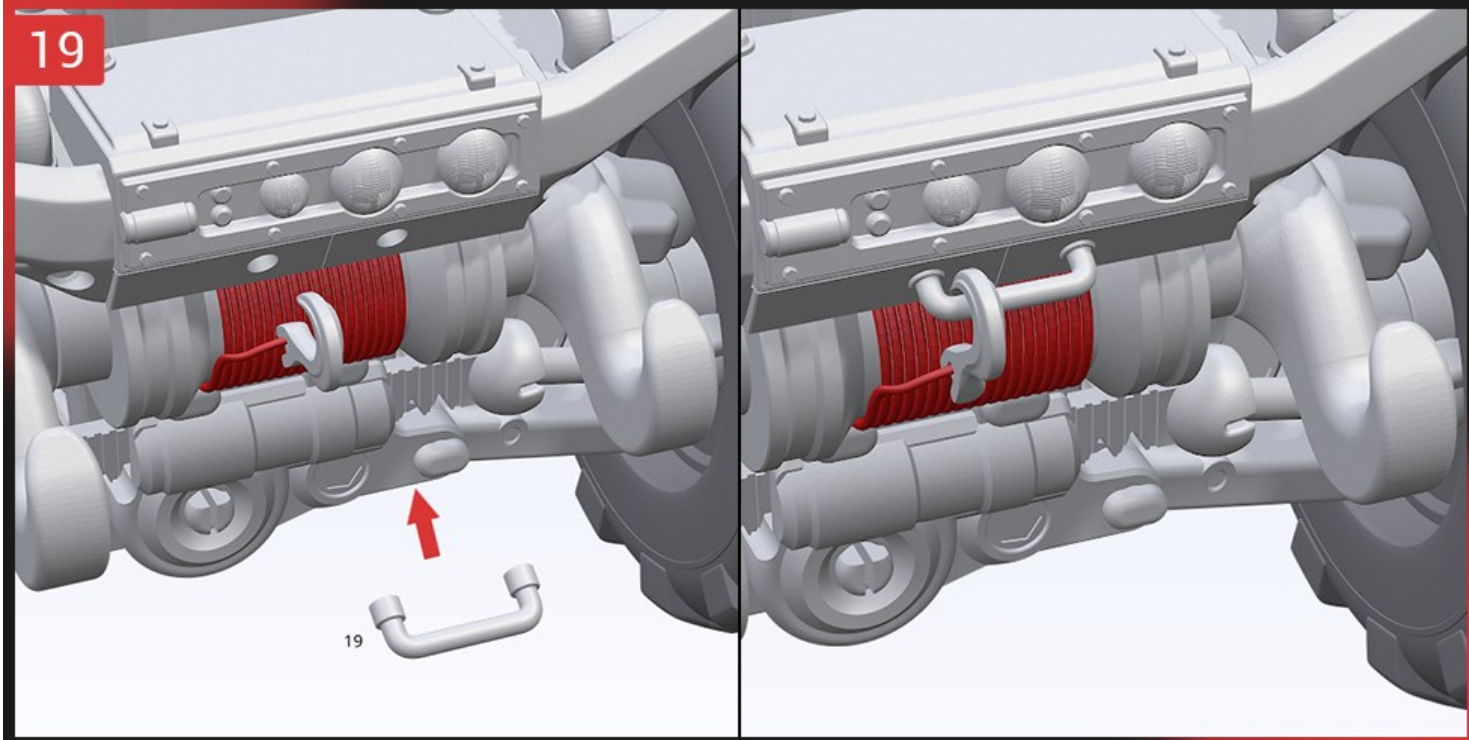


11

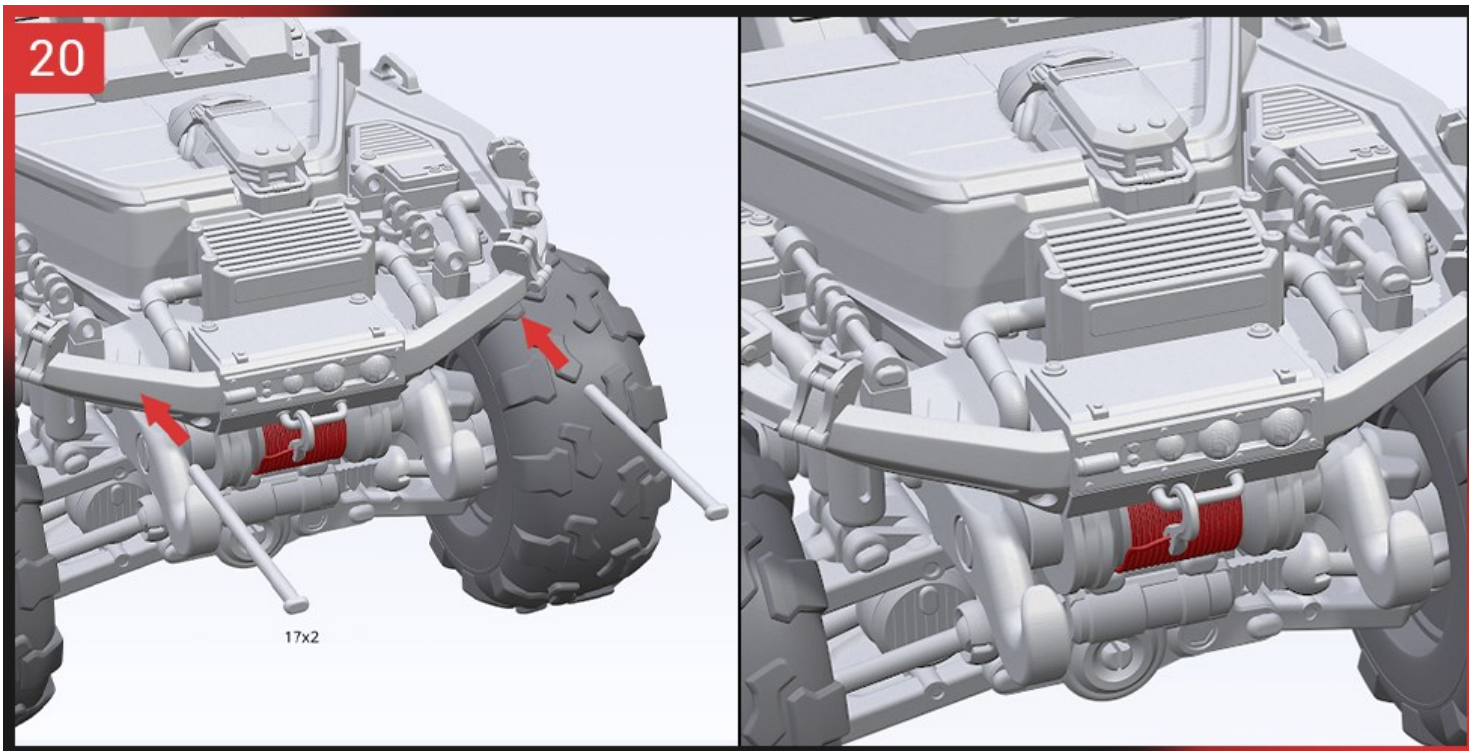
①



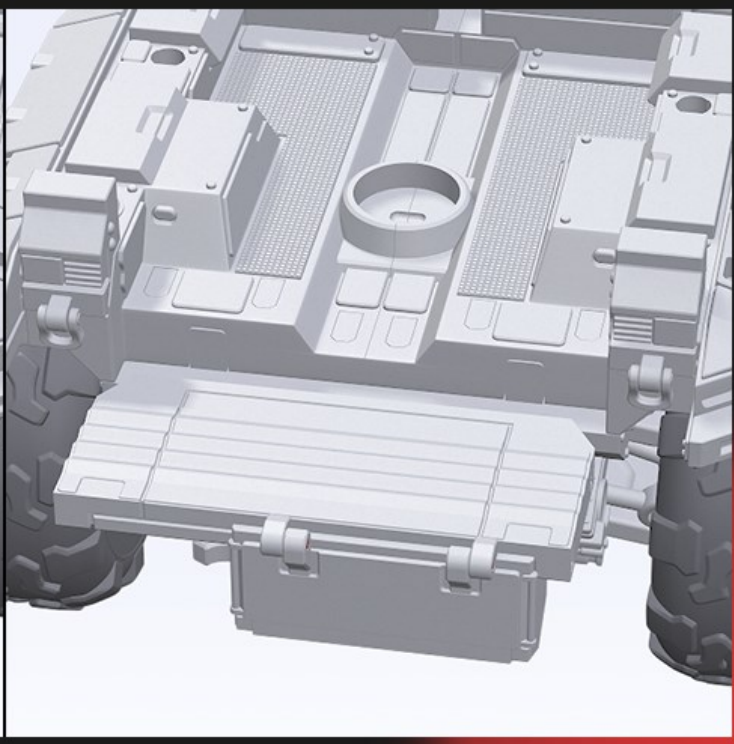
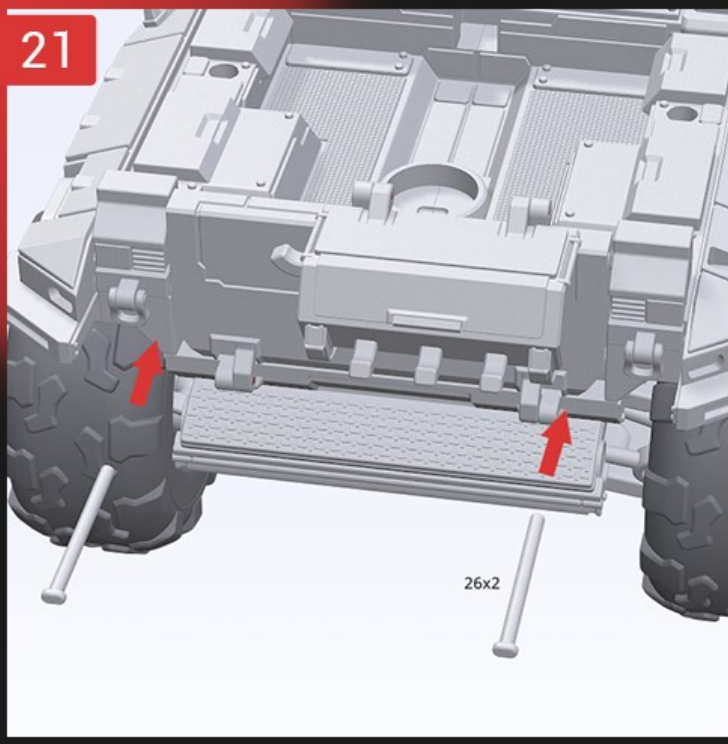
19



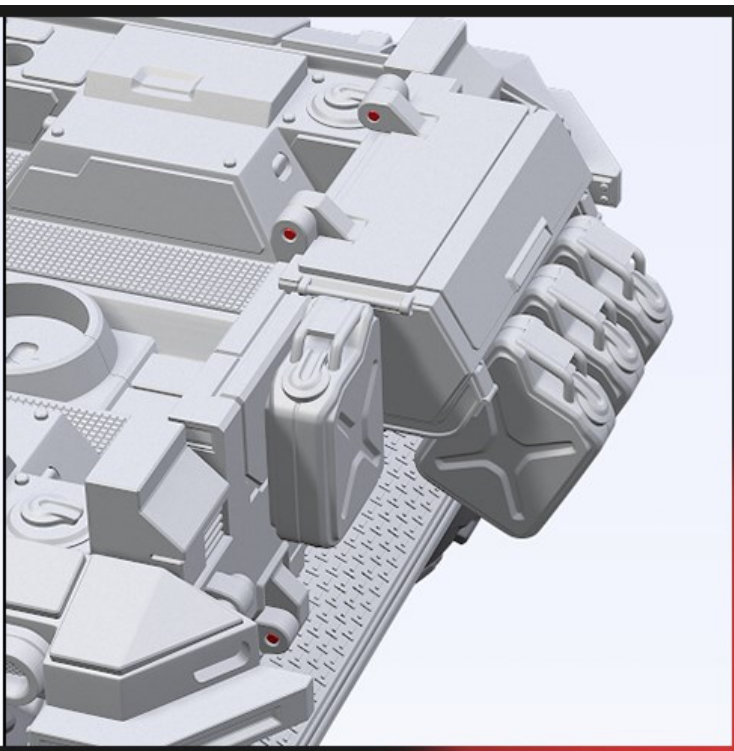
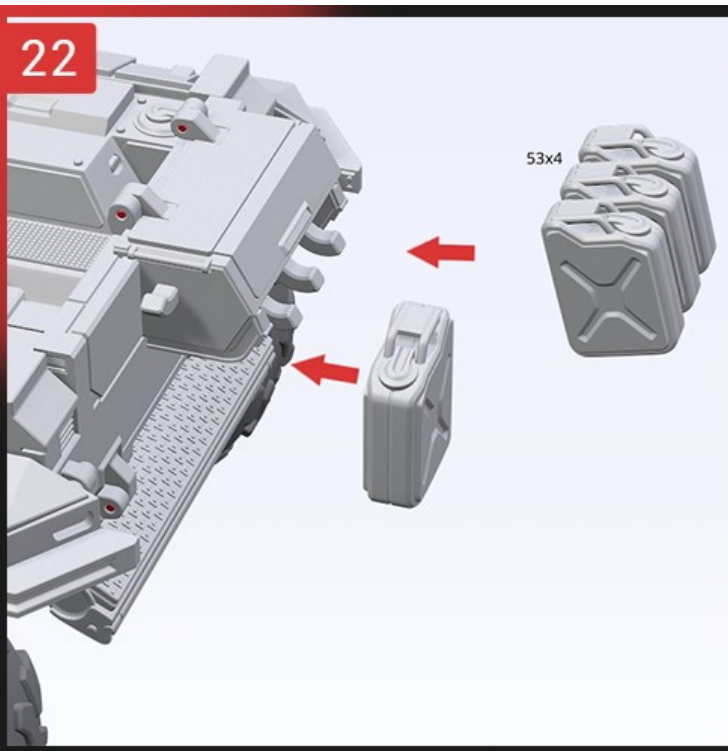
20



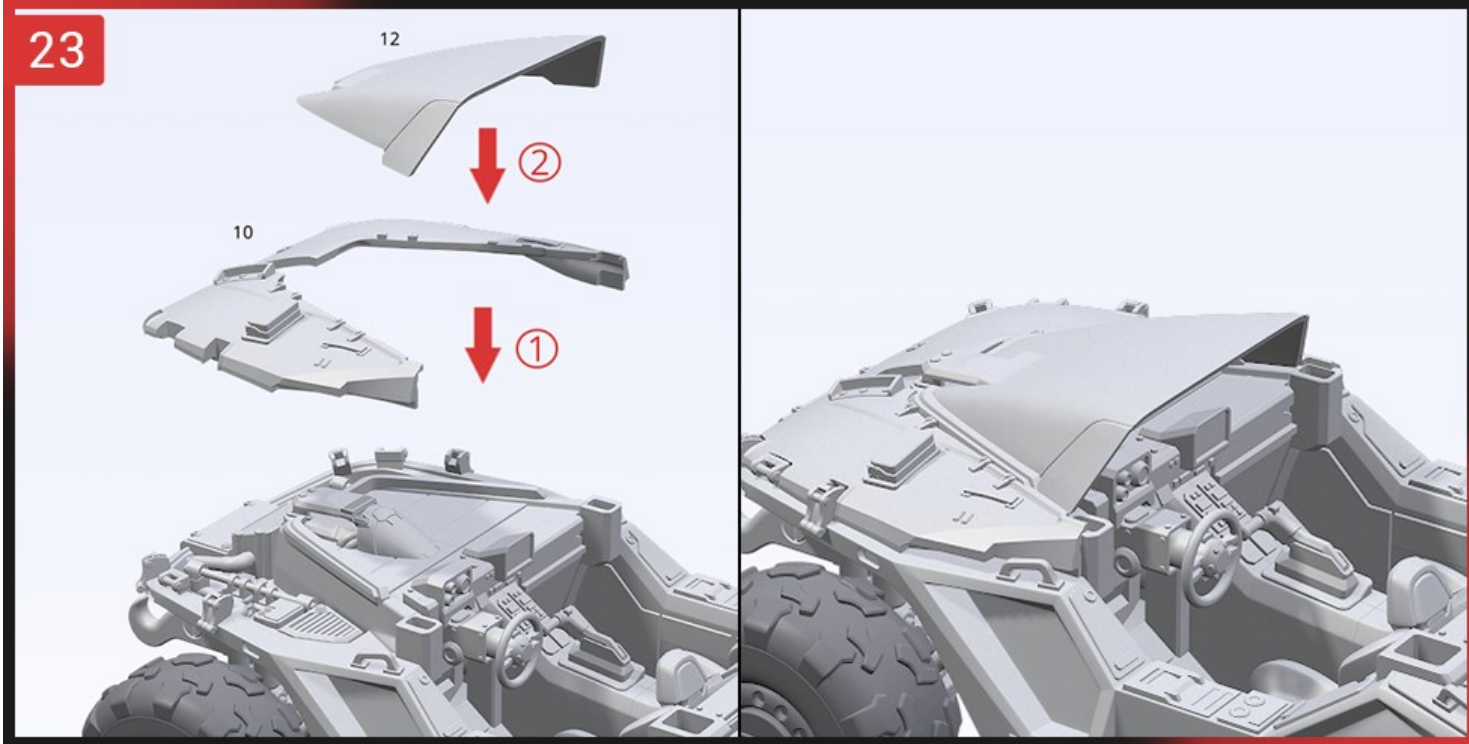
21



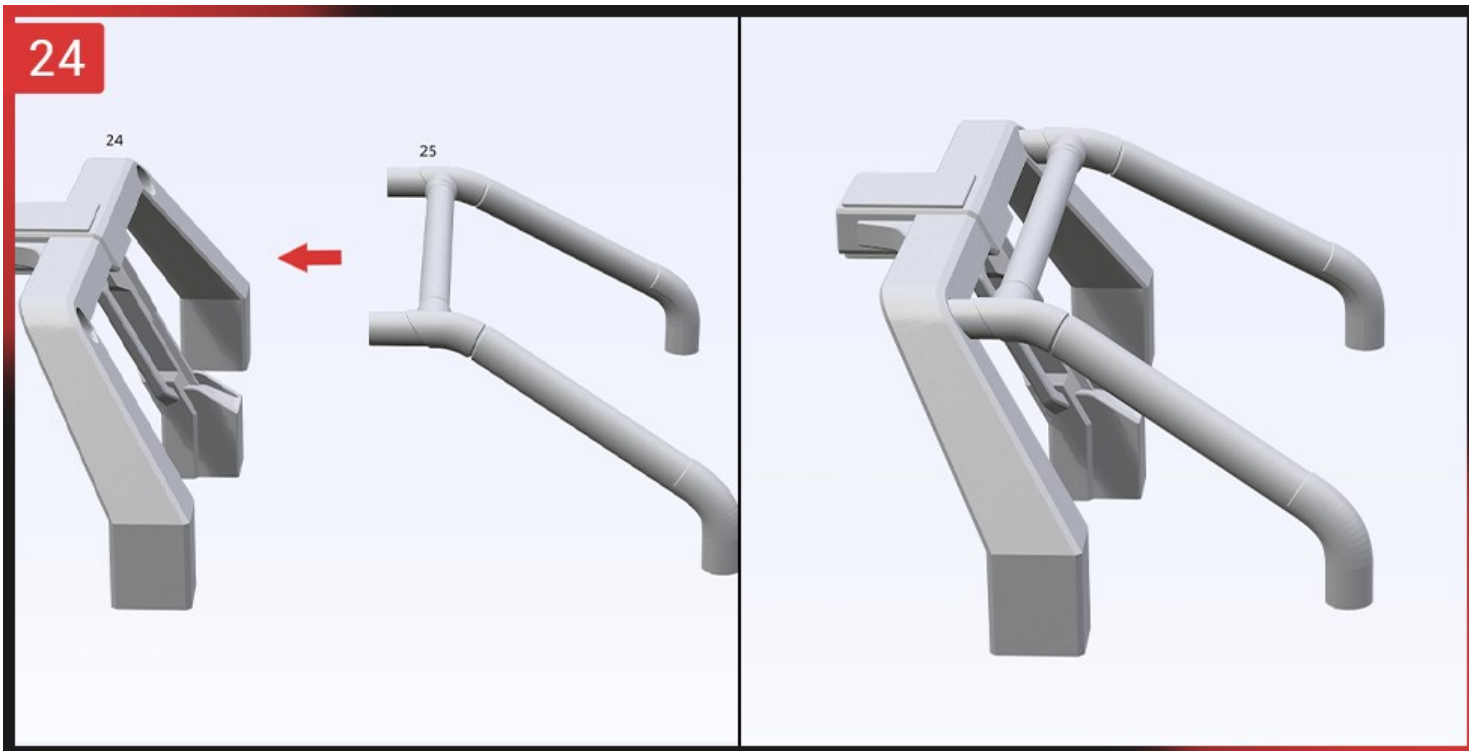
22



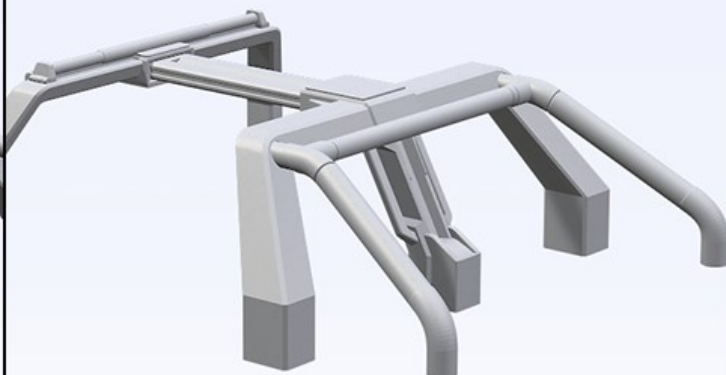
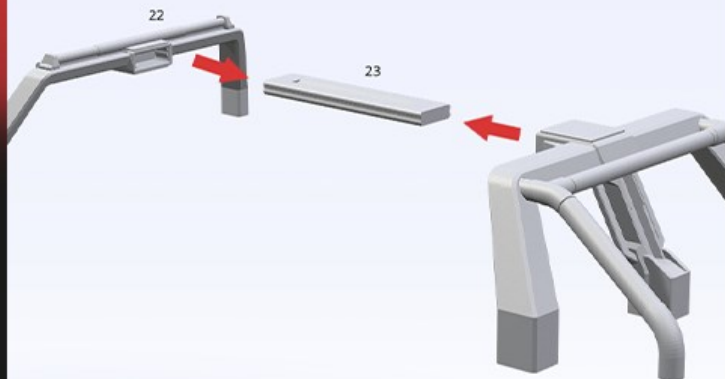
23



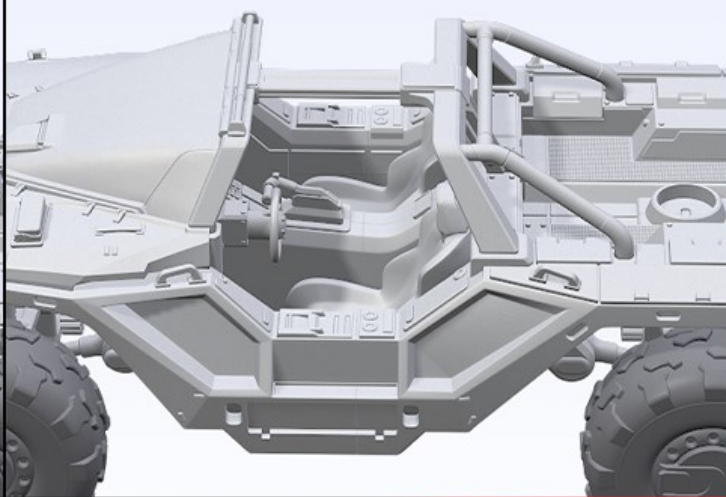
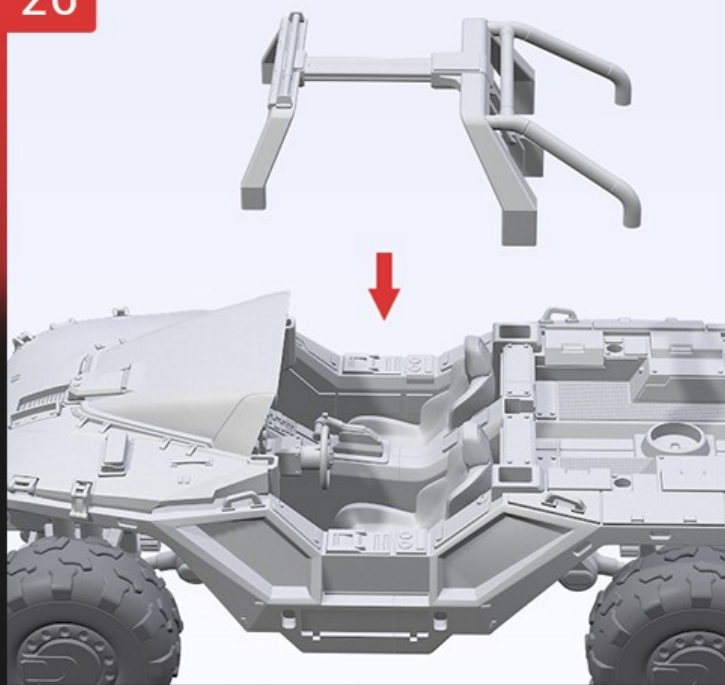
24



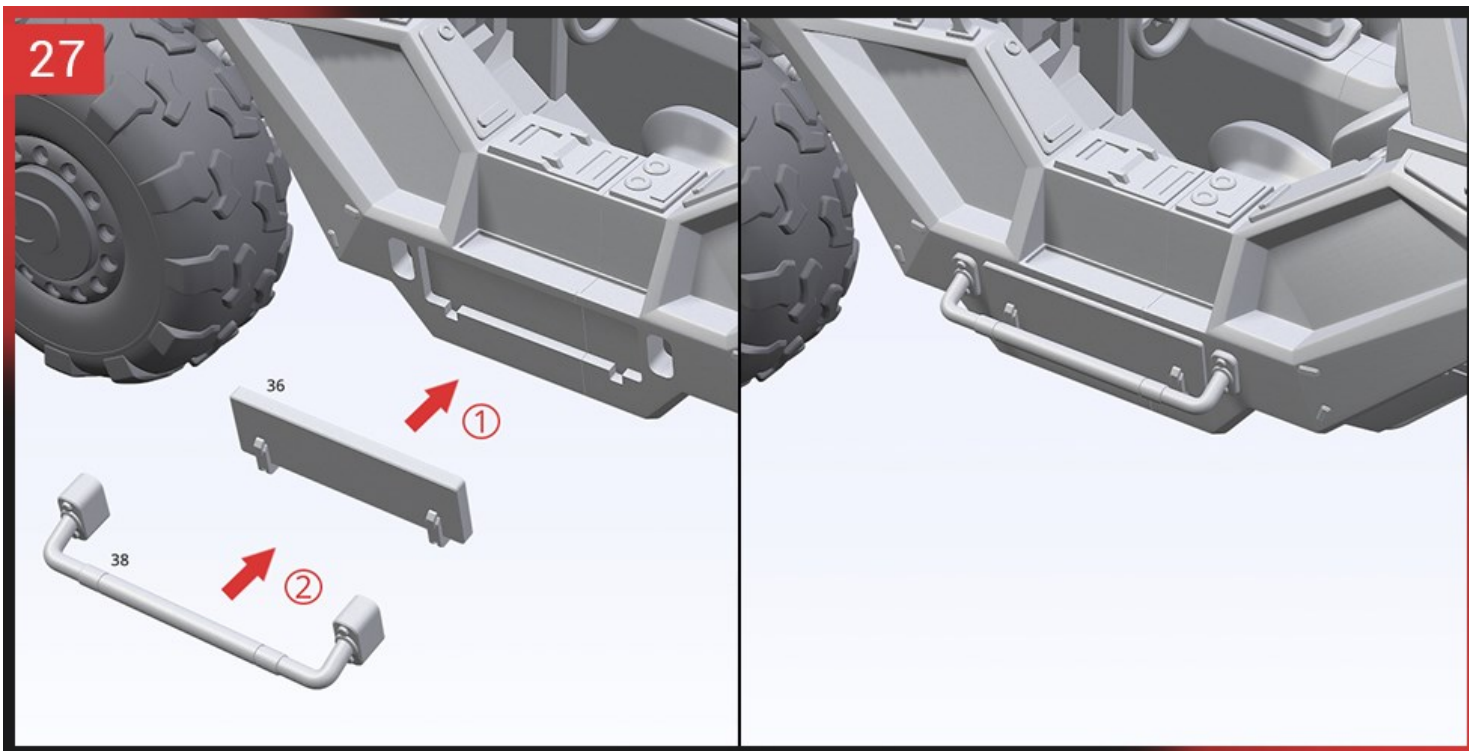
25



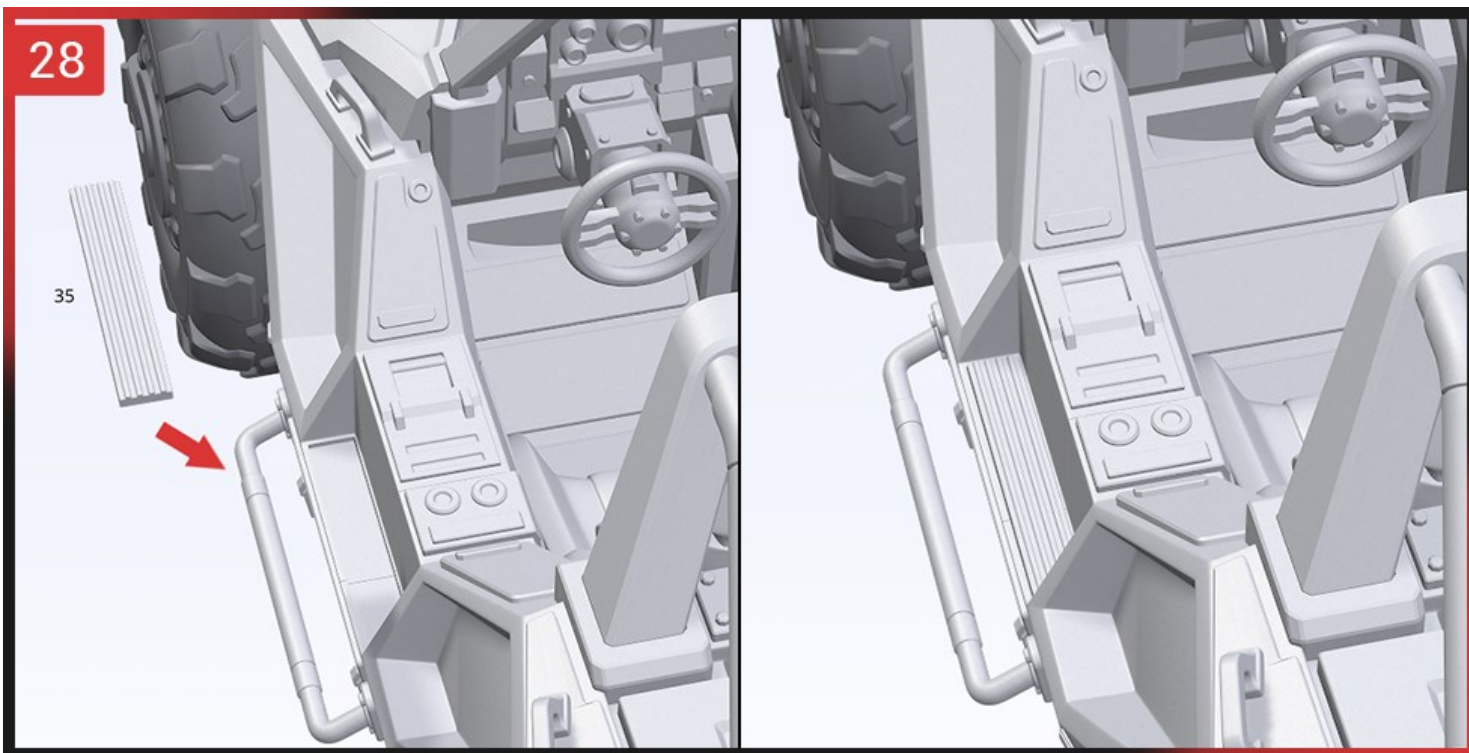
26



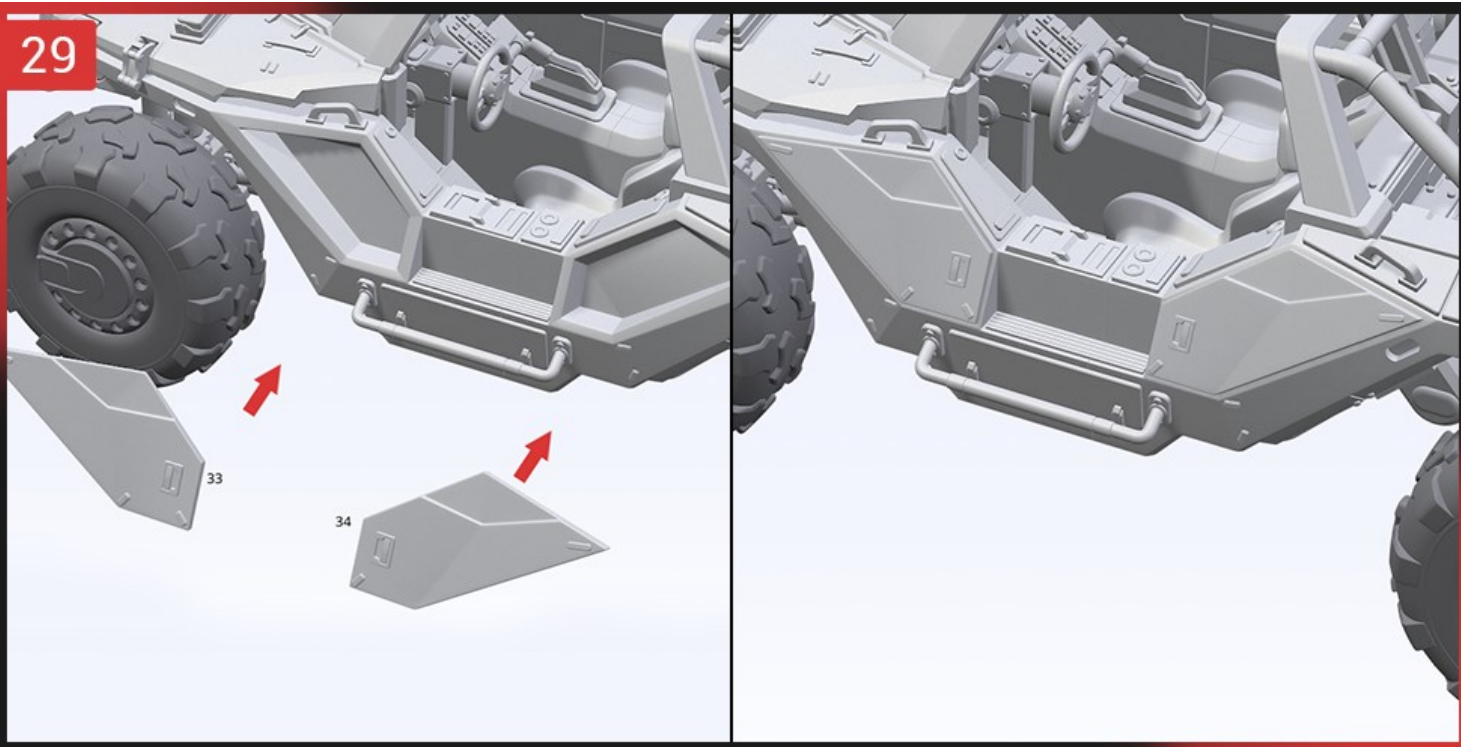
27



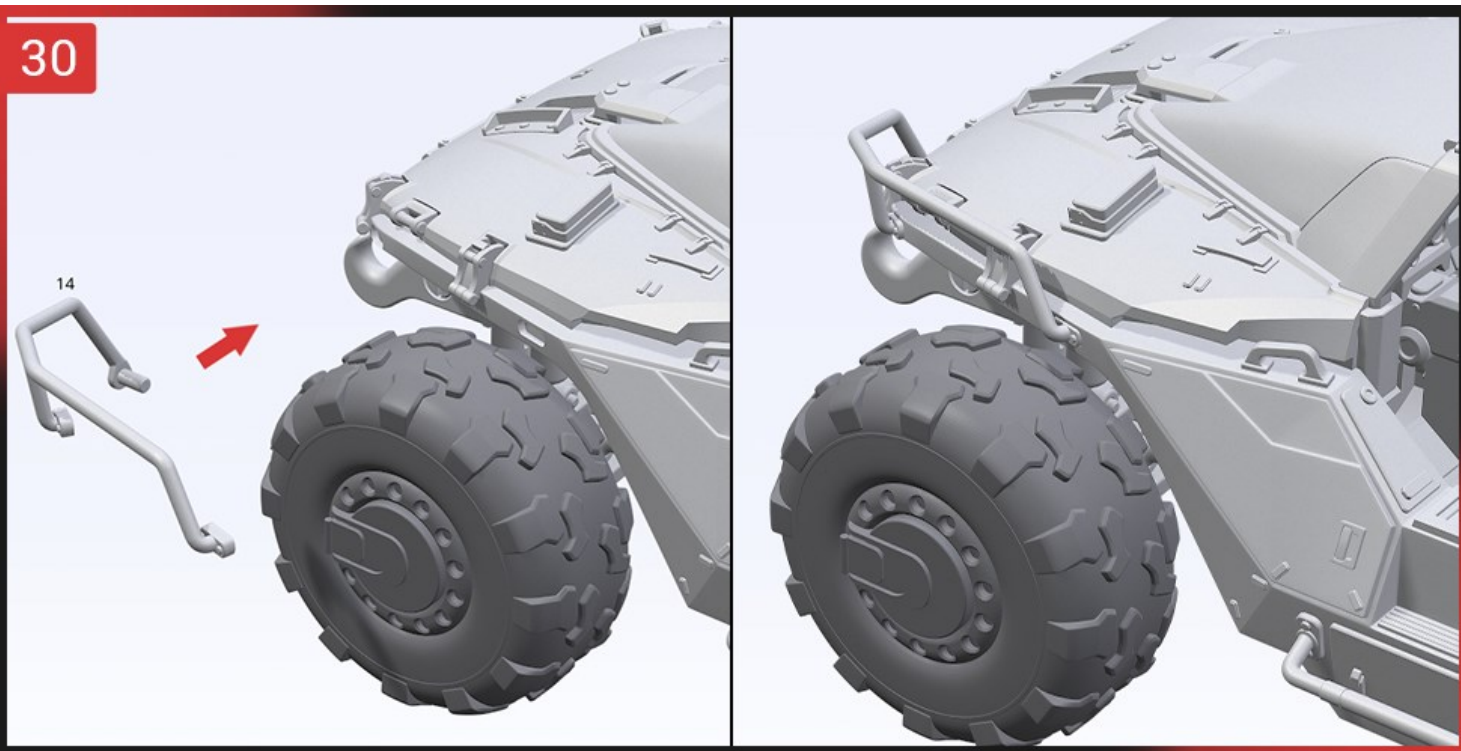
28



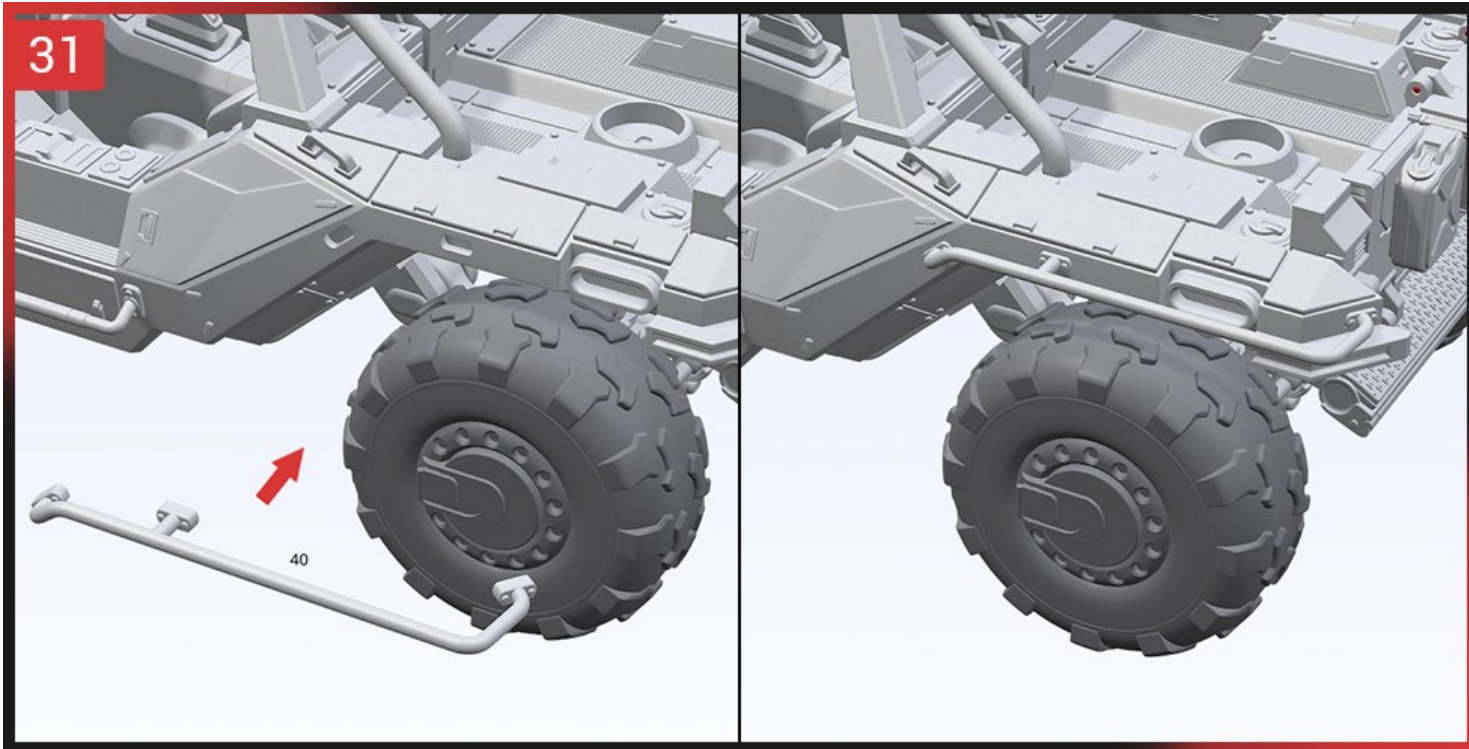
29



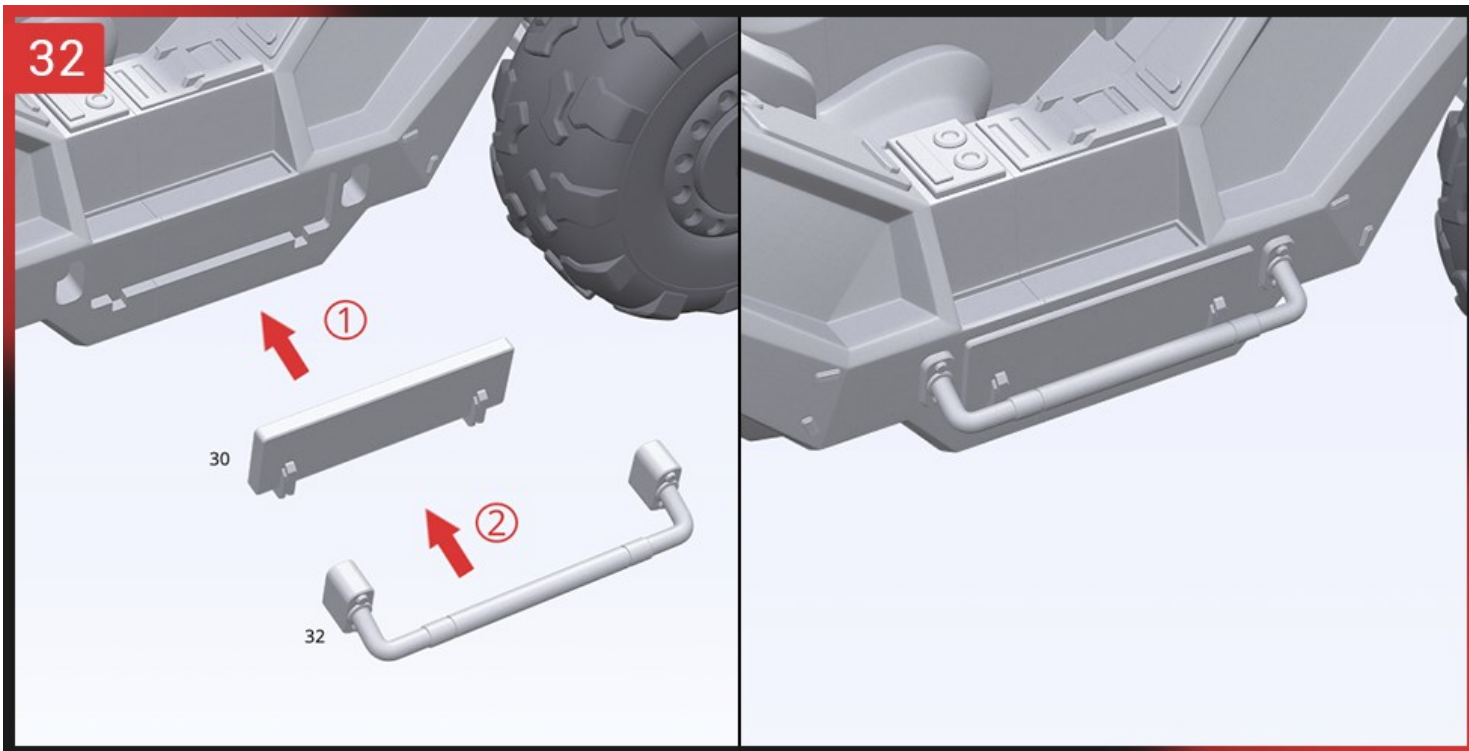
30



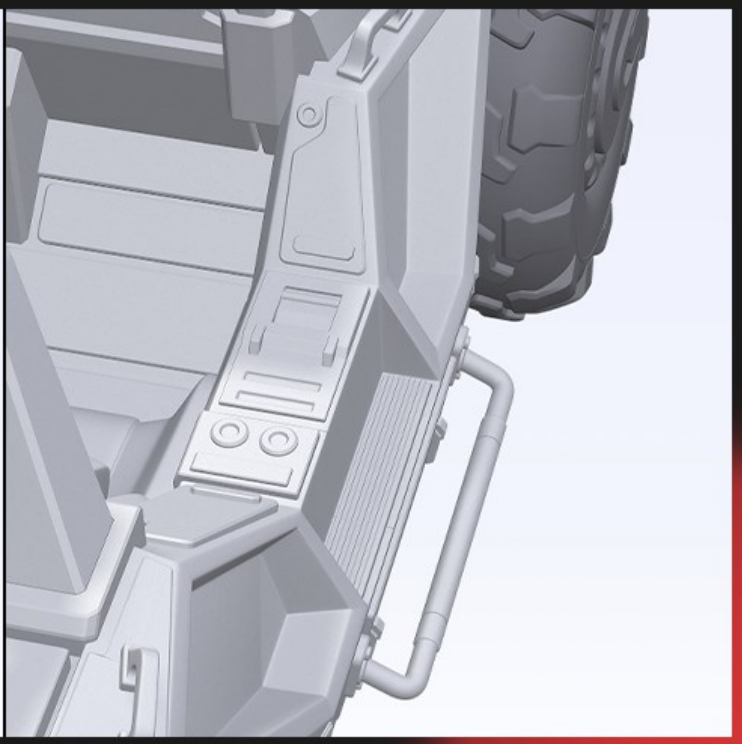
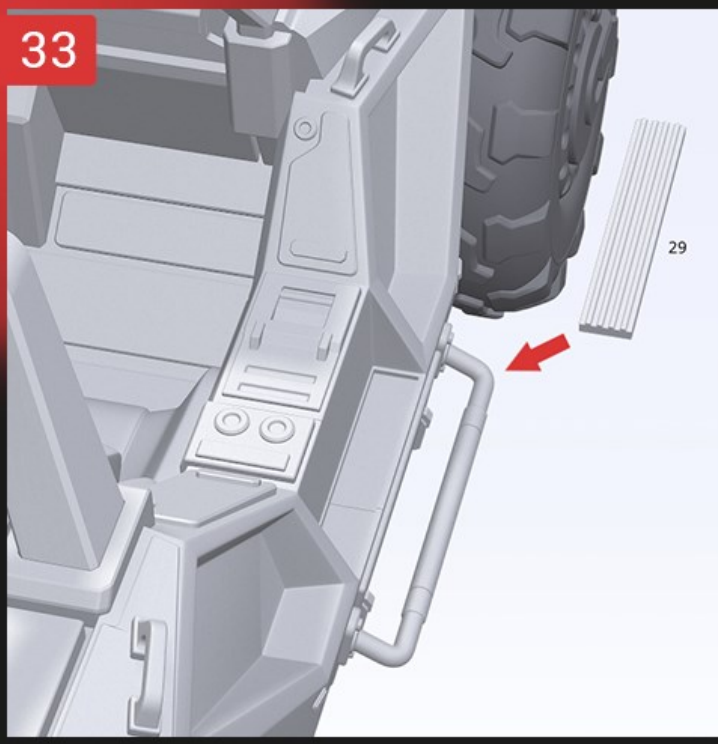
31



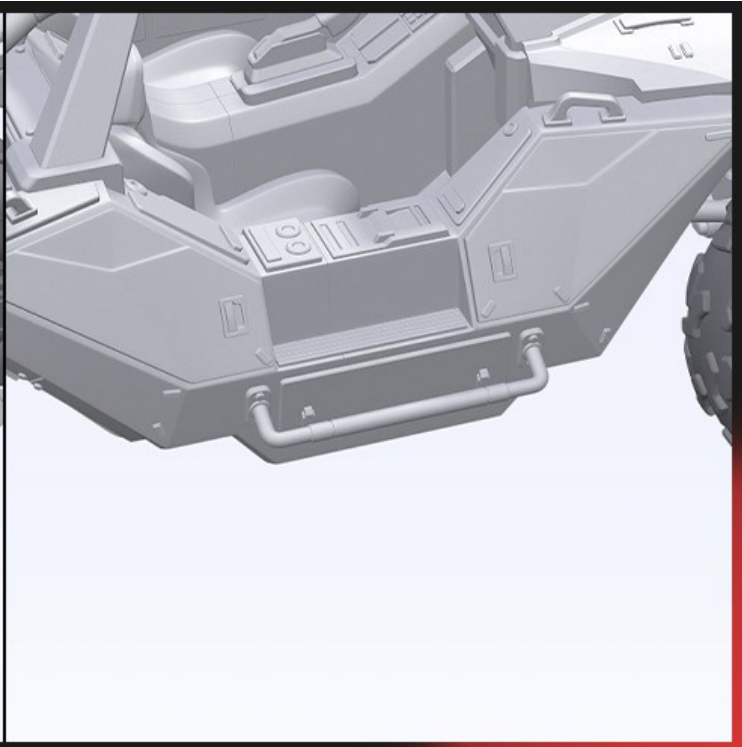
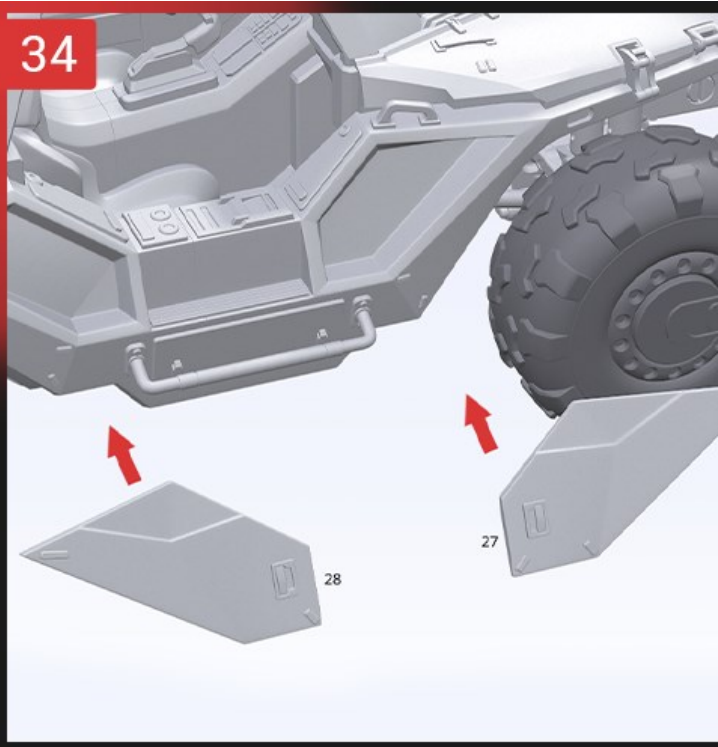
32



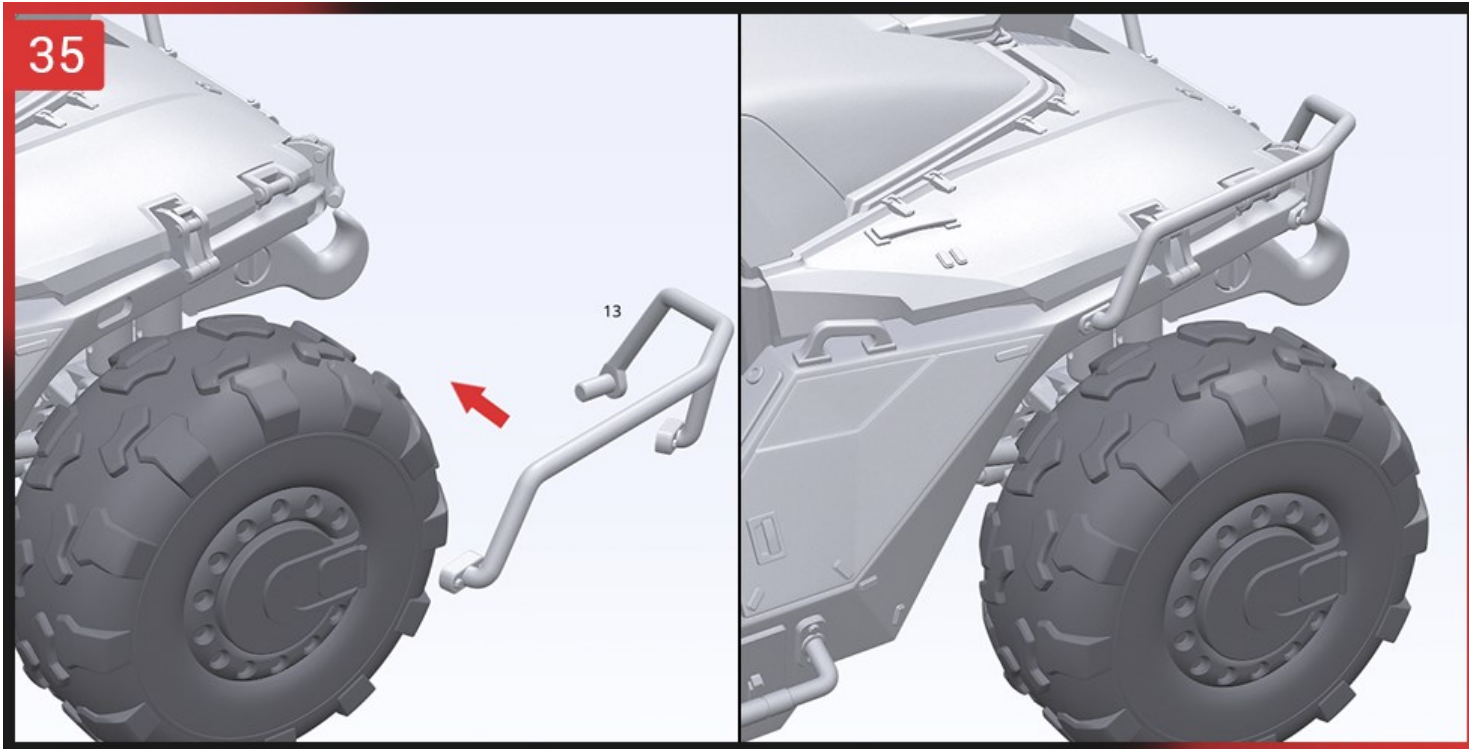
33



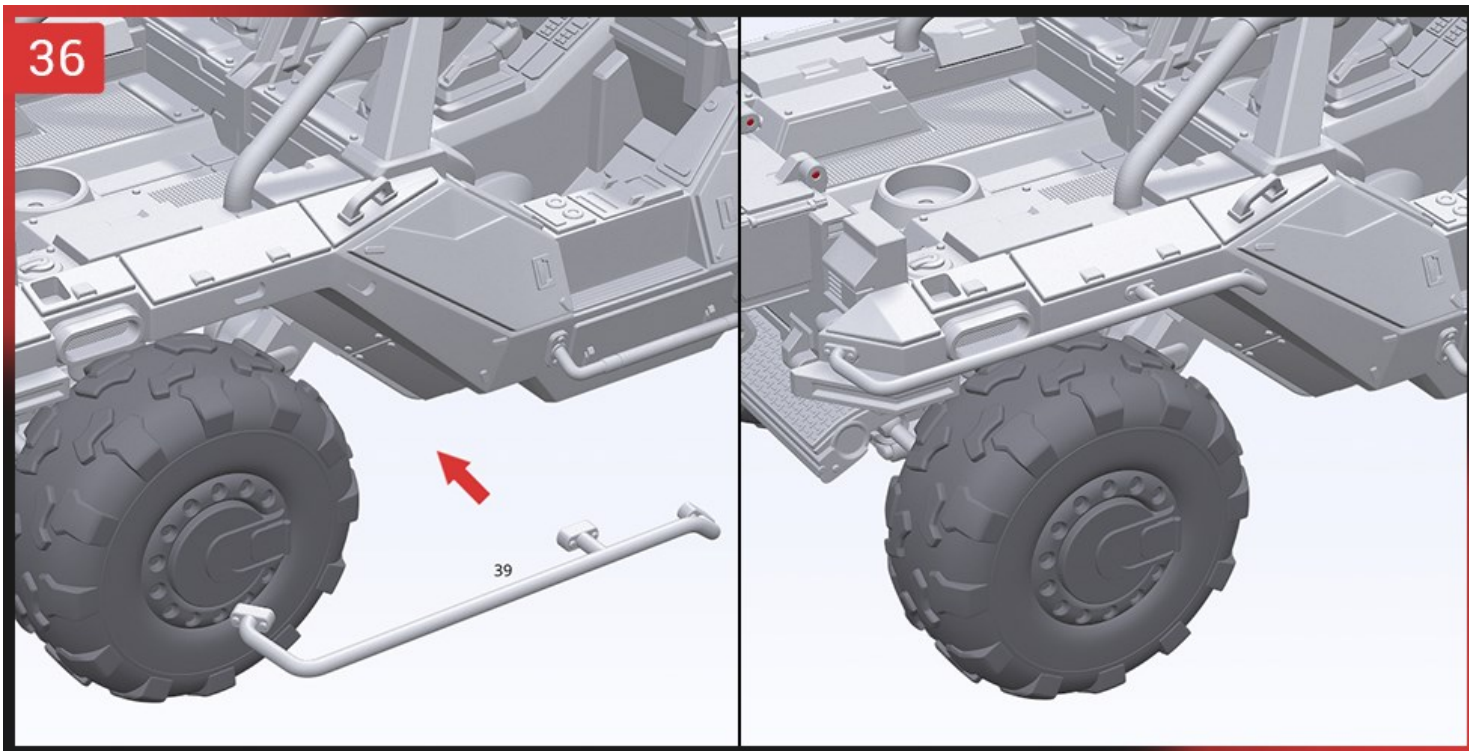
34



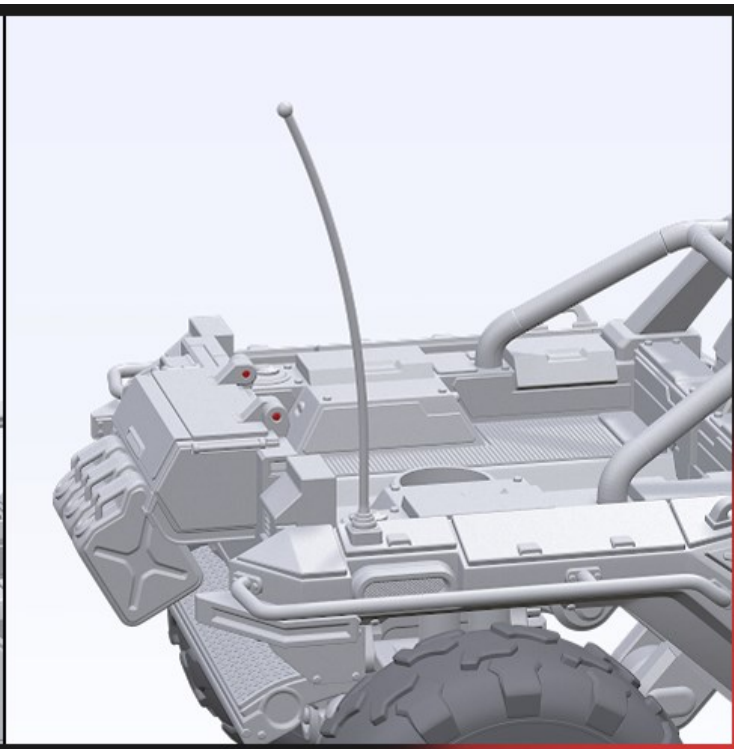
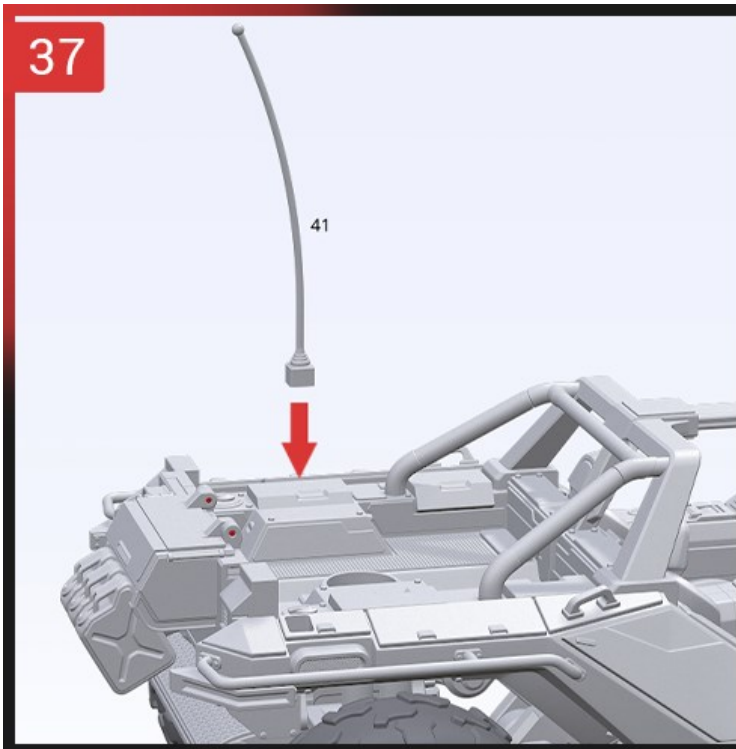
35



36

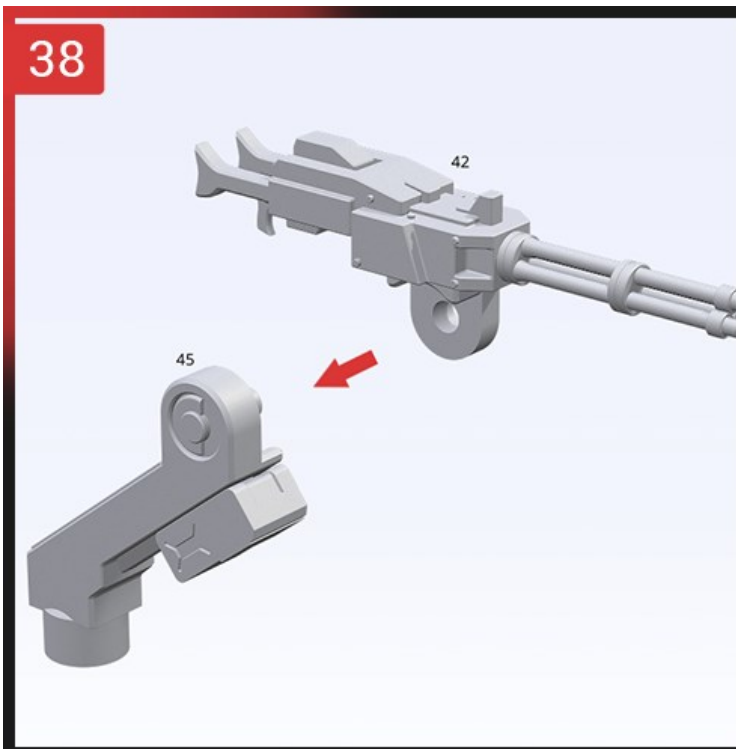


37

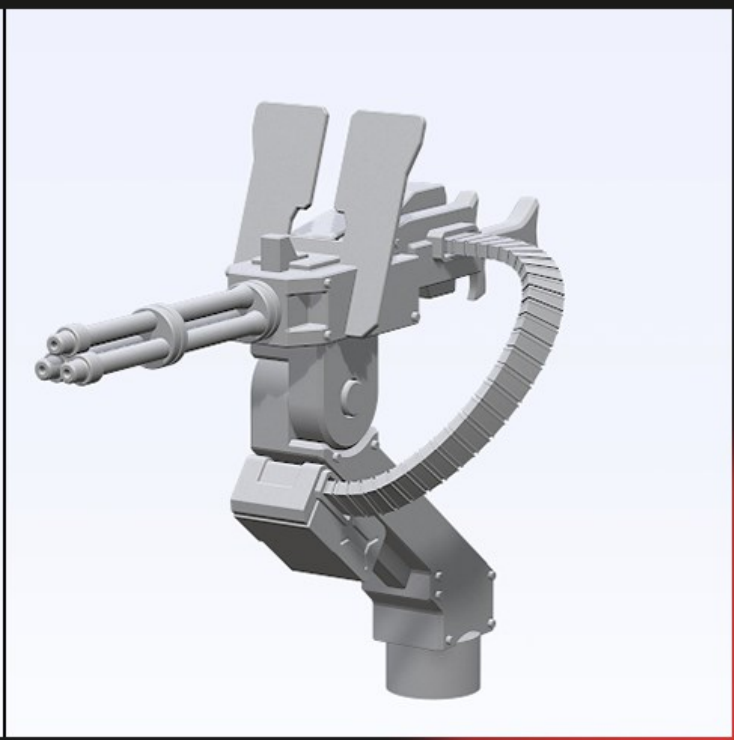
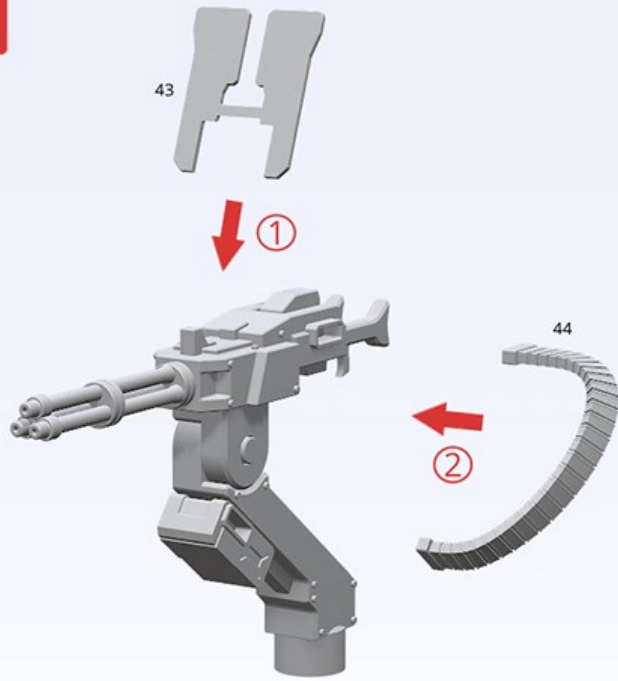


Gun

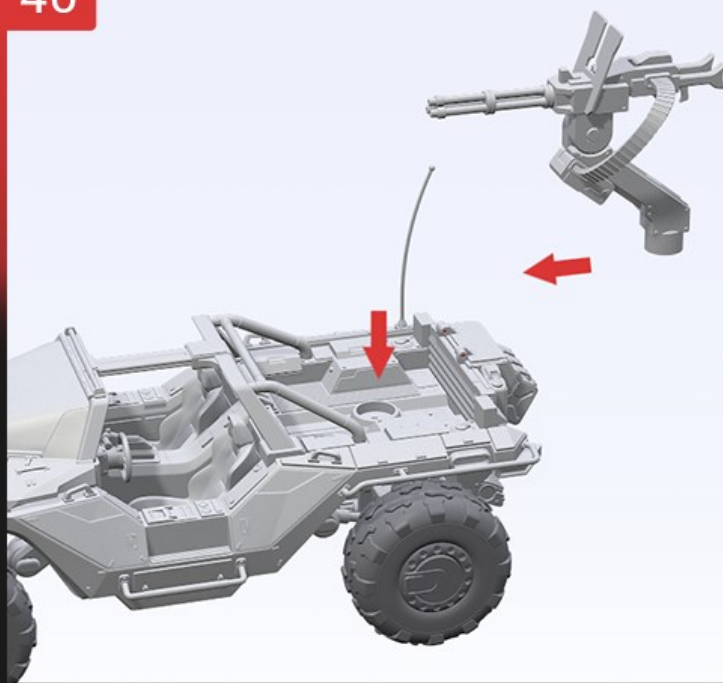
38



39



40





STL files of all 3D printing models come with **life-time full technical support** from Gambody team. If you want to have the model cut otherwise after the purchase, please, request changes at support@gambody.com.

Thank you for choosing **Gambody!**