

KAIEI3D

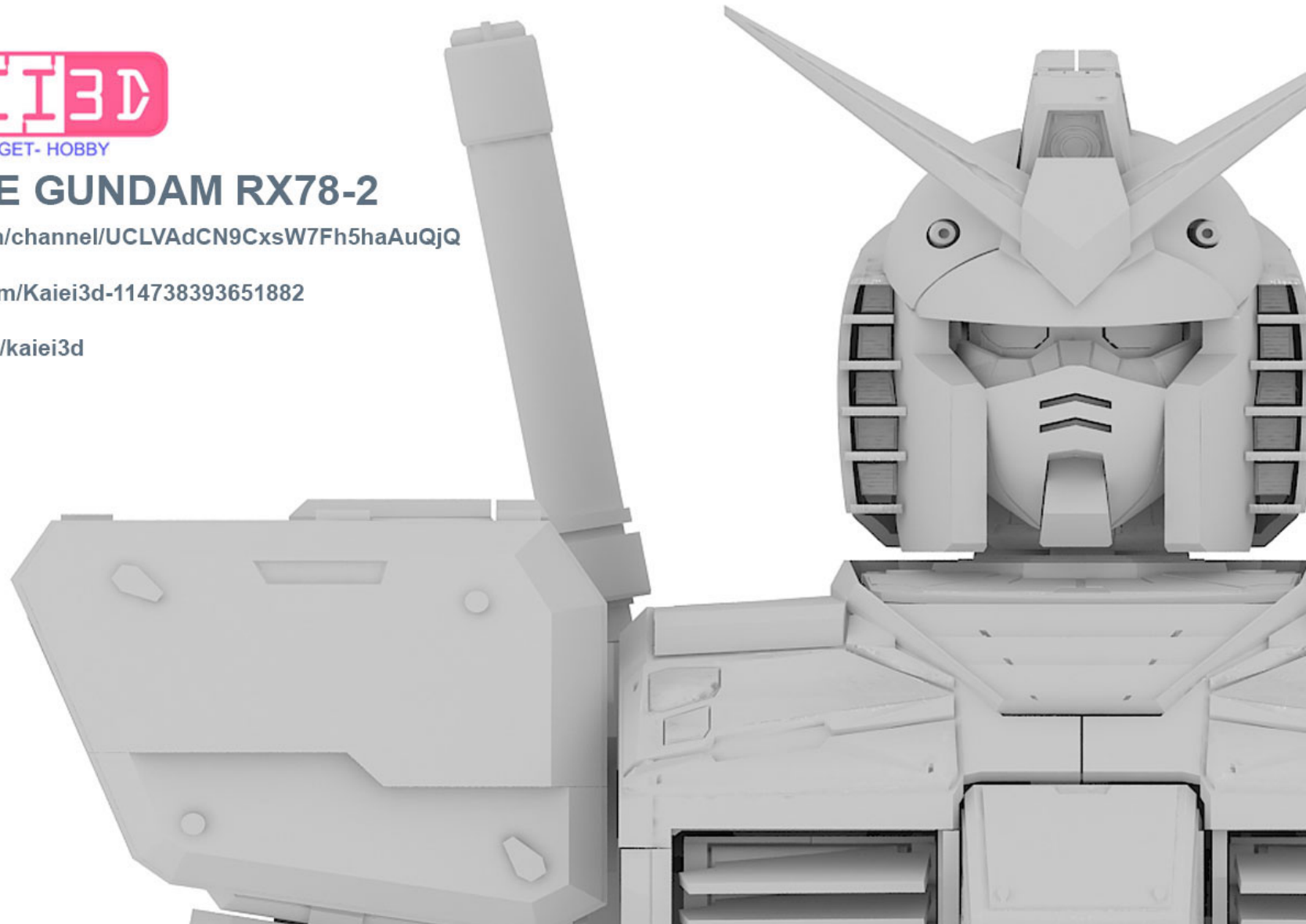
TOYS - GADGET - HOBBY

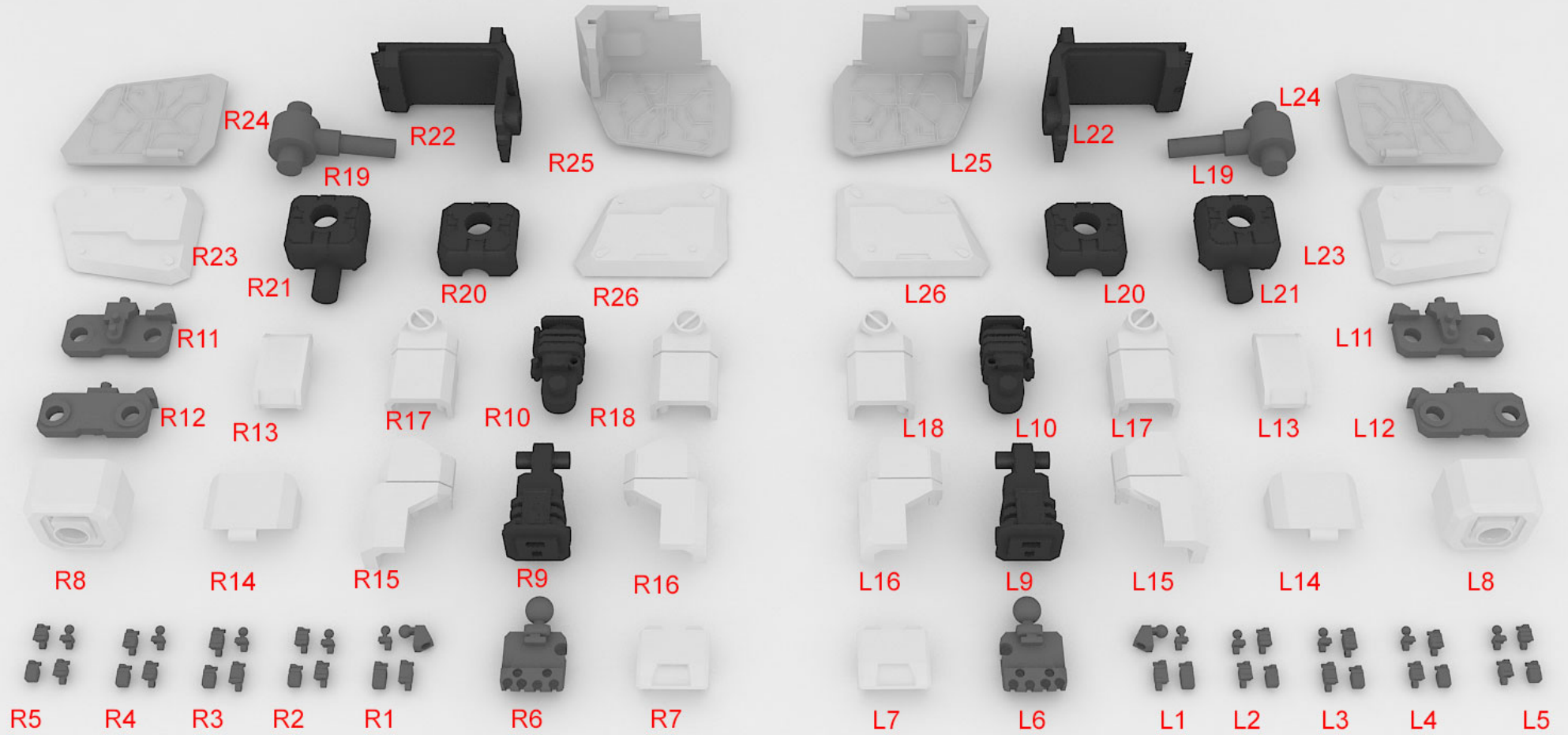
3D PRINT BIG SIZE GUNDAM RX78-2

YouTube <https://www.youtube.com/channel/UCLVAdCN9CxsW7Fh5haAuQjQ>

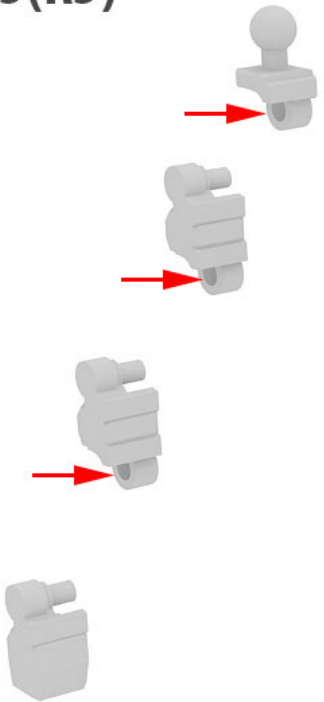
f <https://www.facebook.com/Kaiei3d-114738393651882>

PATREON | <https://www.patreon.com/kaiei3d>

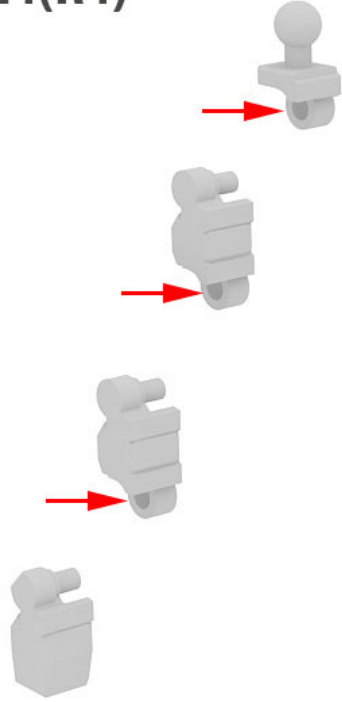




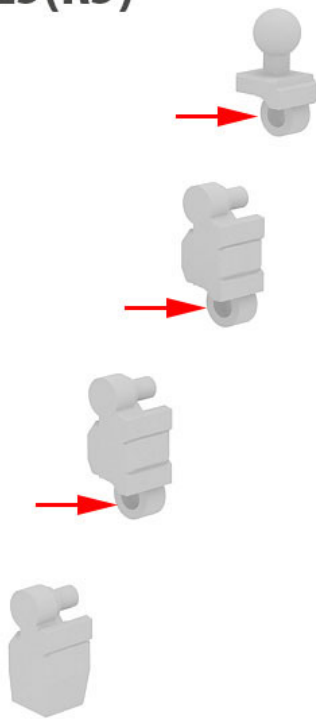
L5(R5)



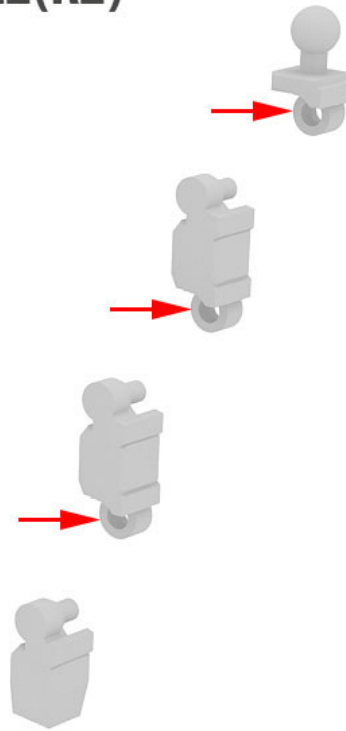
L4(R4)



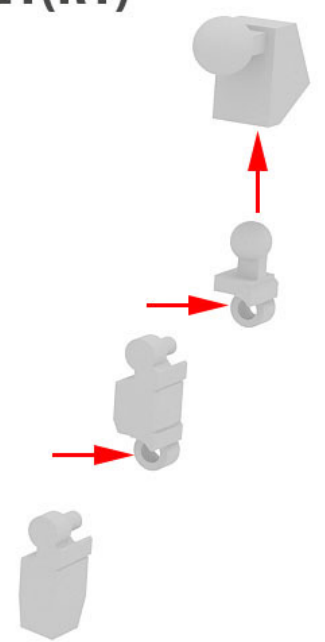
L3(R3)



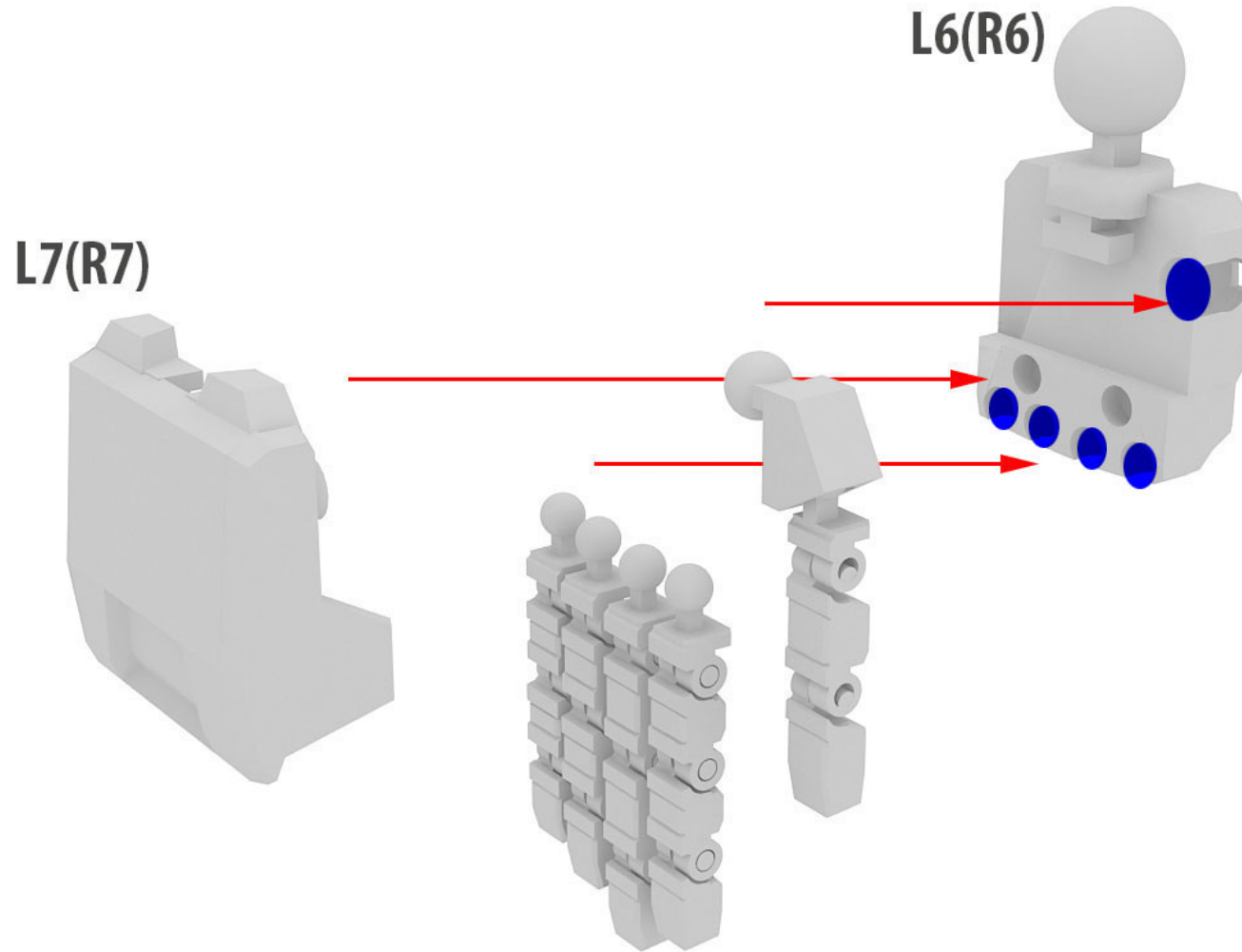
L2(R2)



L1(R1)

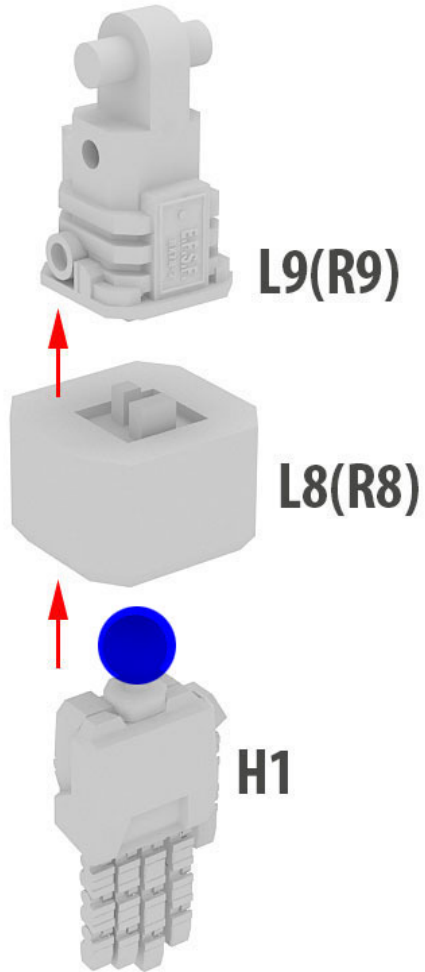


H1

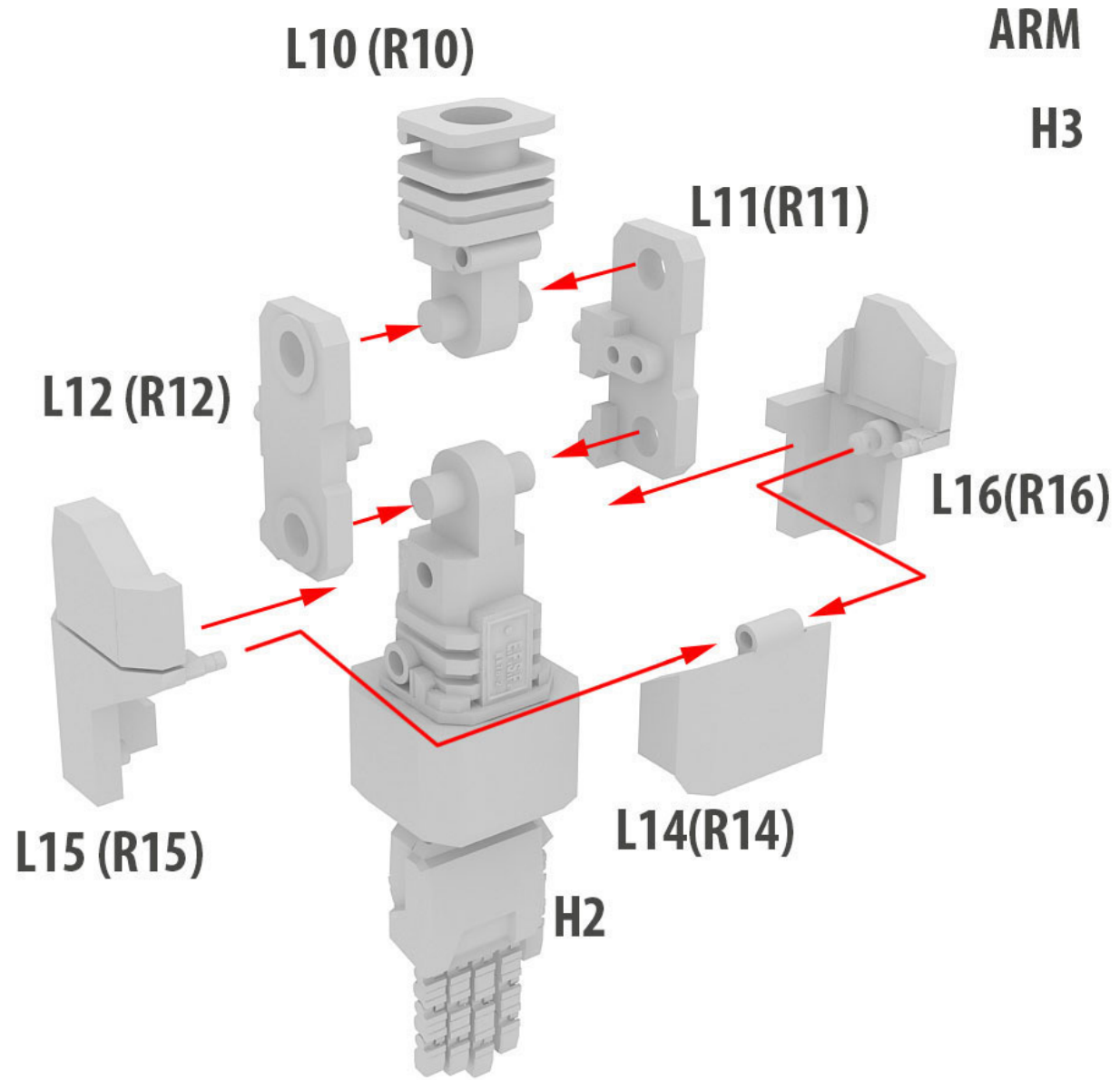


● recommended apply **RUBBER GLUE** or **RESIN** on ball joint area for better articulation

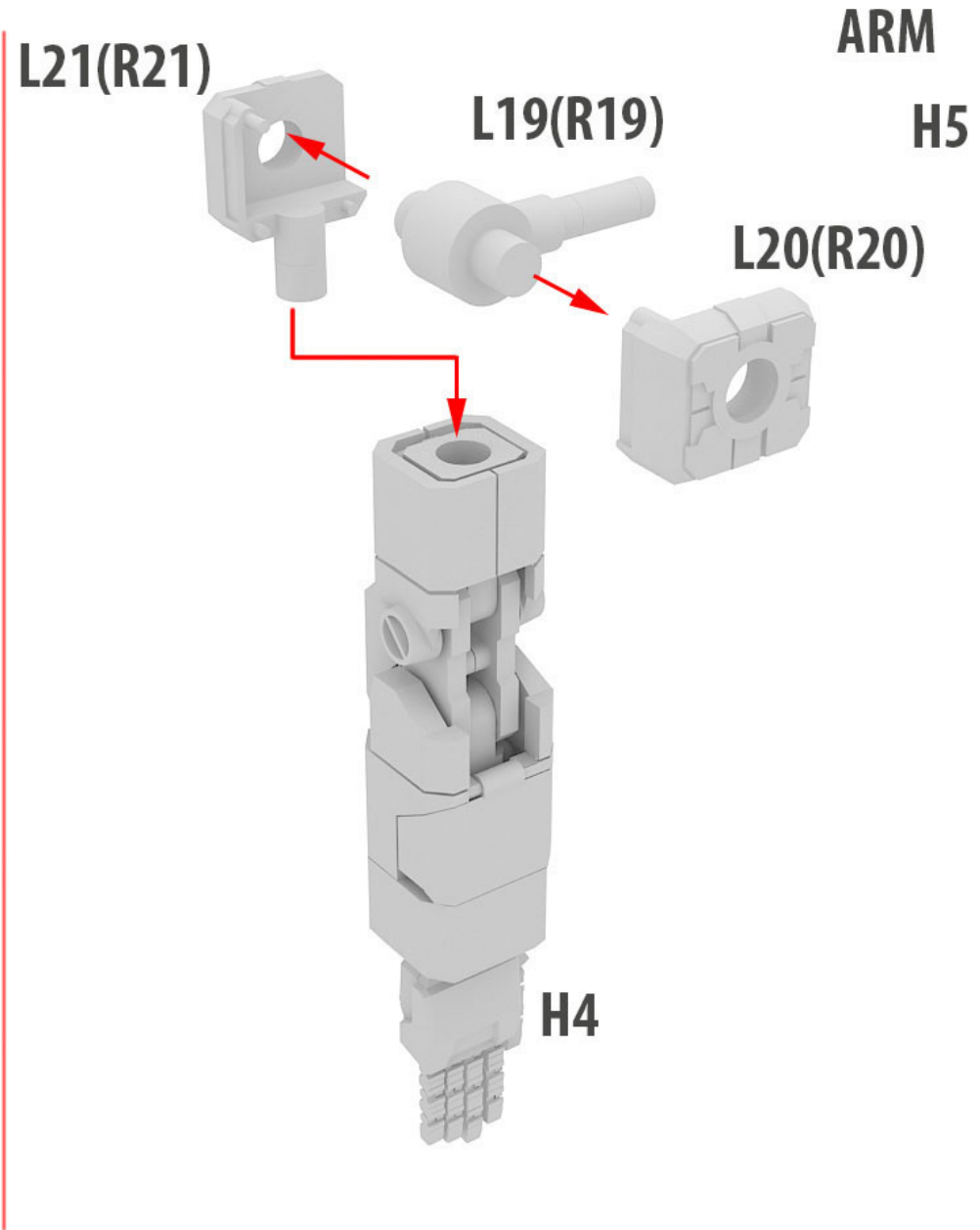
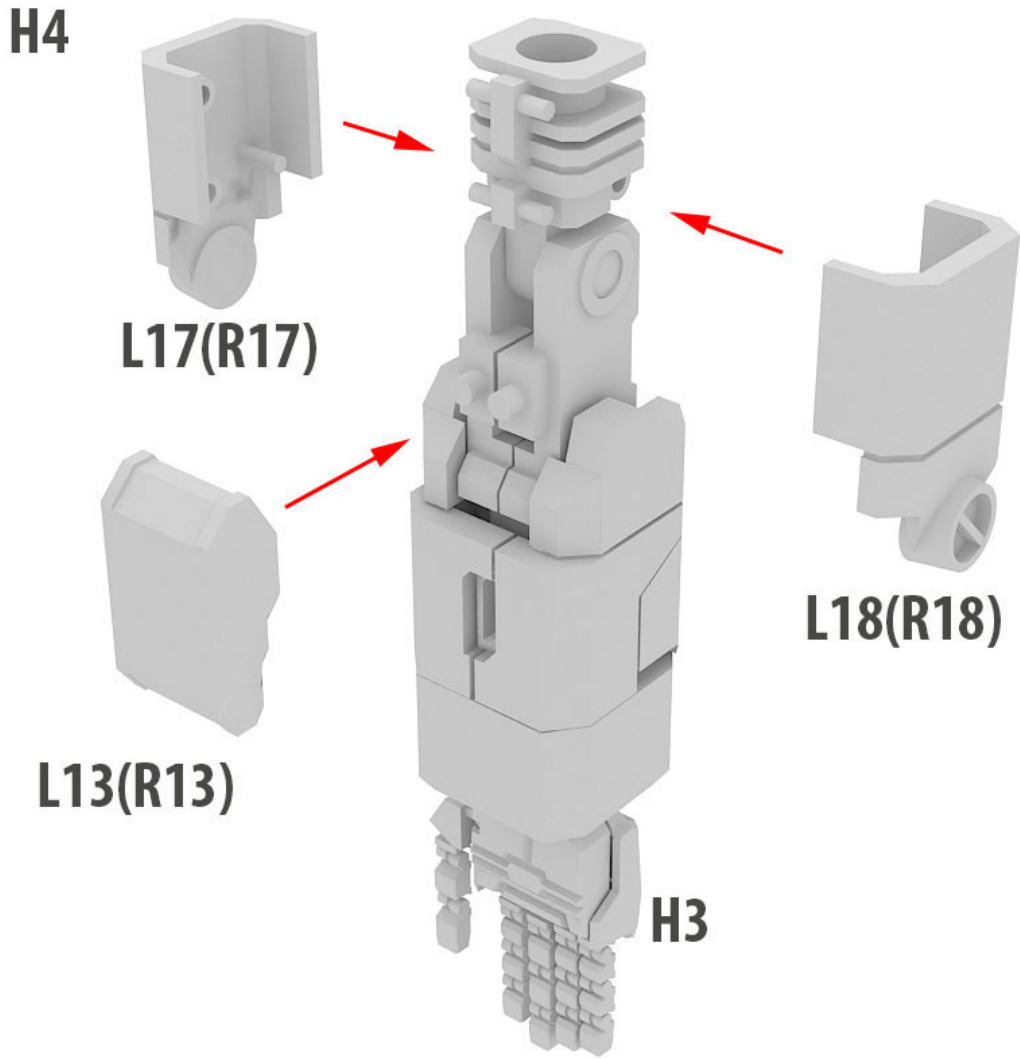
H2



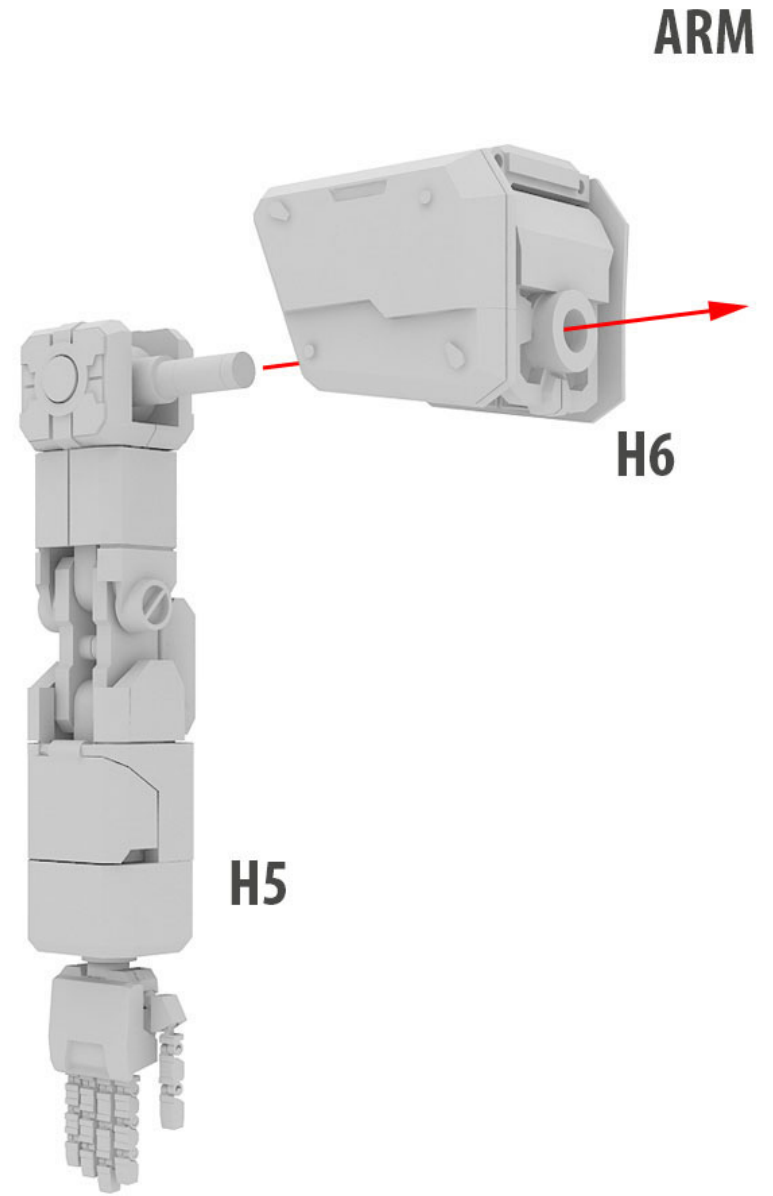
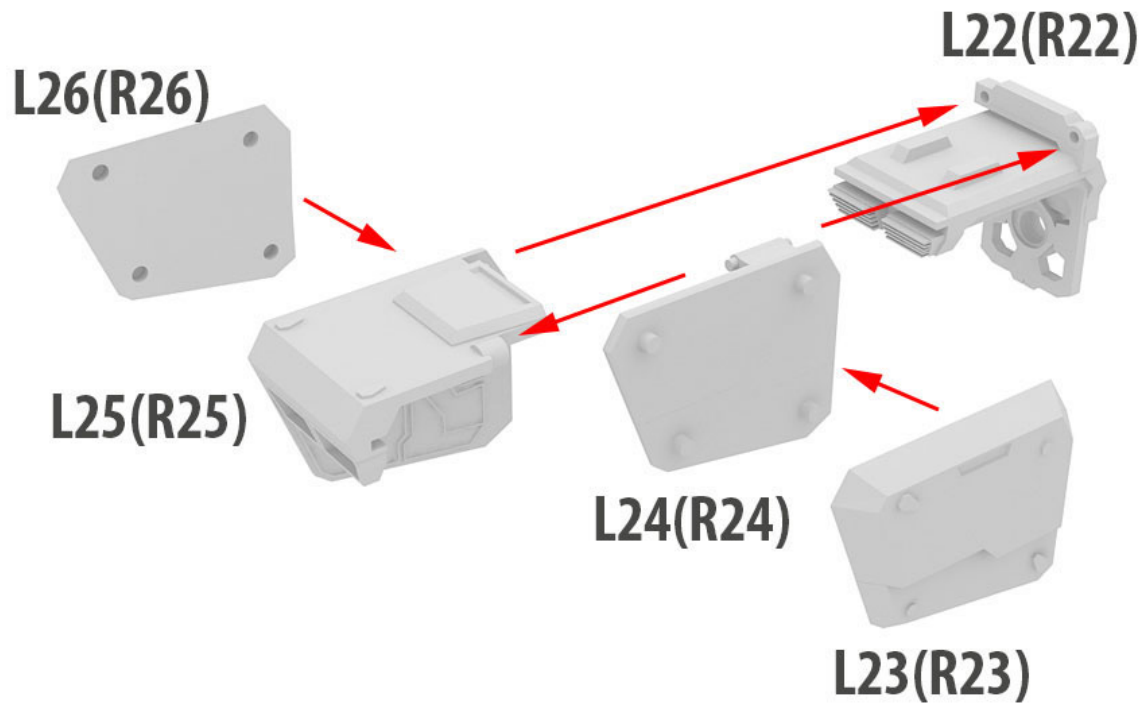
● recommended apply RUBBER GLUE or RESIN on ball joint area for better articulation

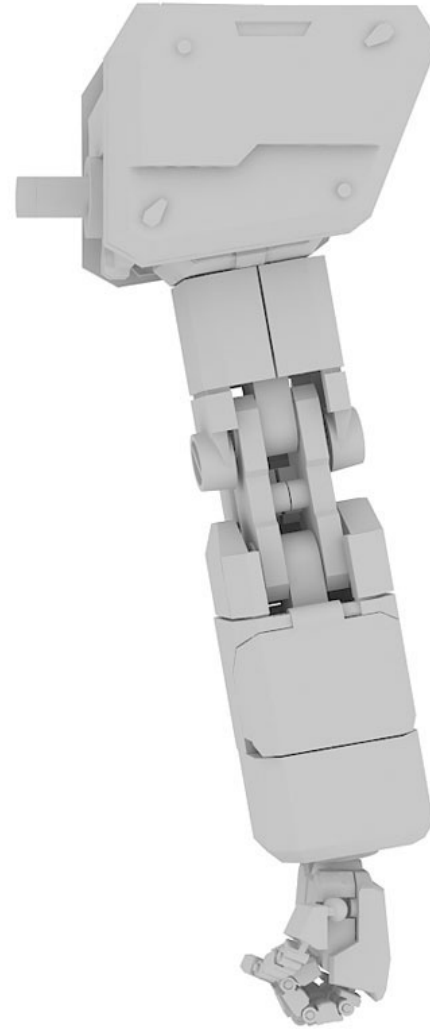
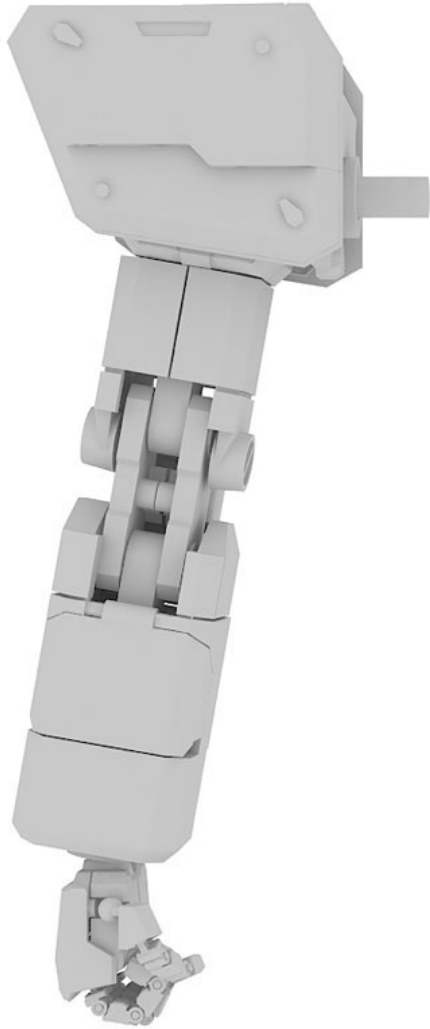


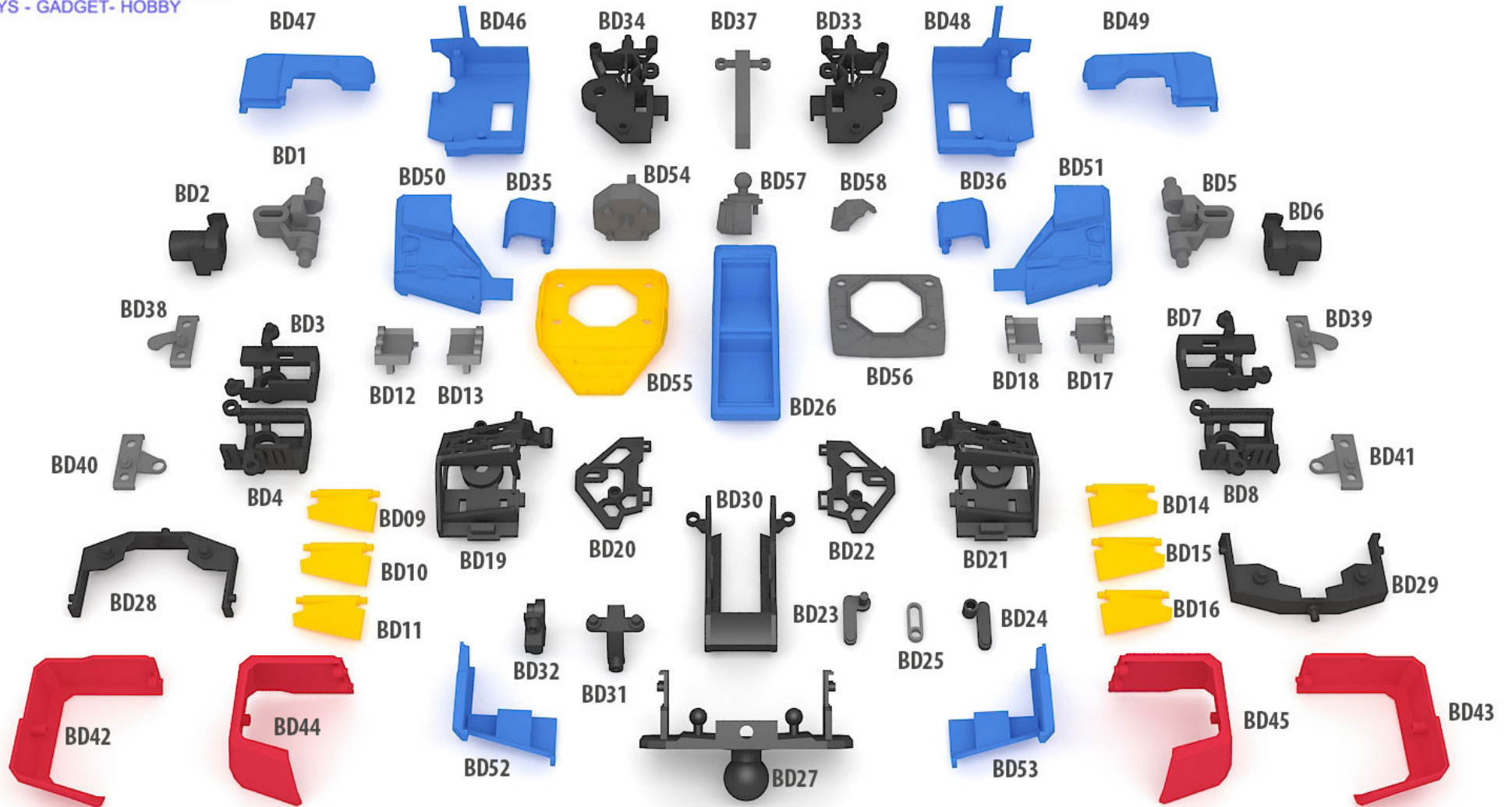
**ARM
H3**



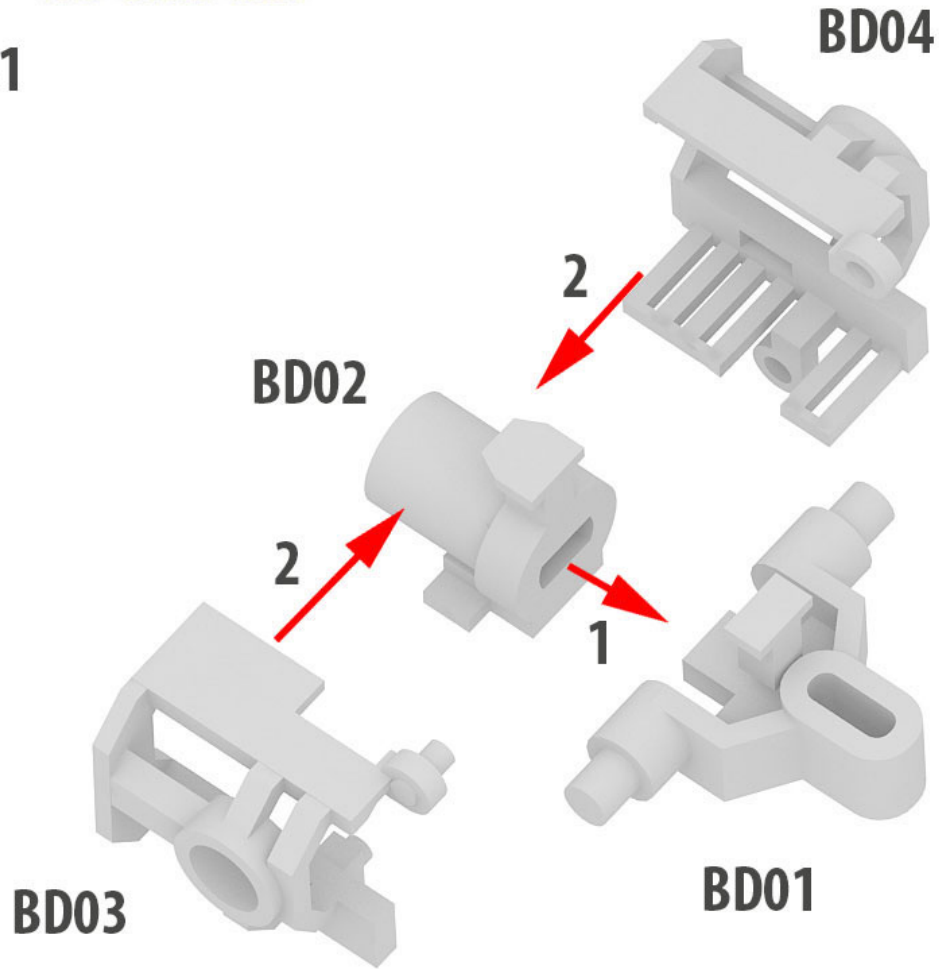
H6





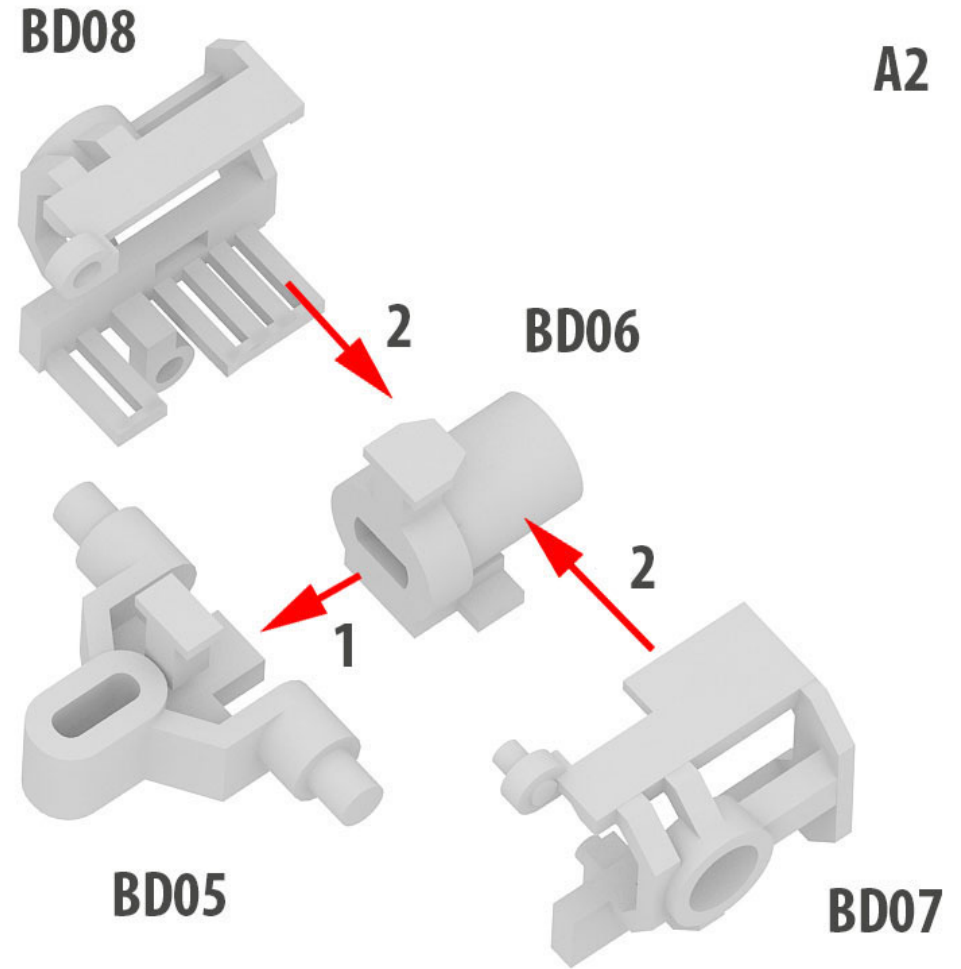


A1



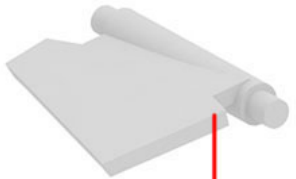
BODY

A2

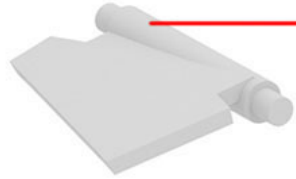


A3

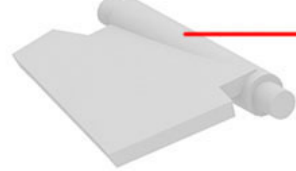
BD09



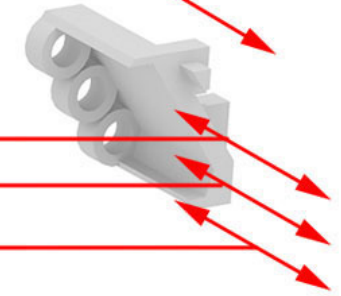
BD10



BD11



BD12



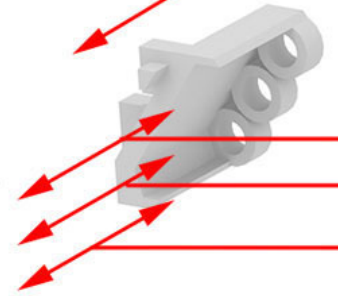
BD13



BODY

A4

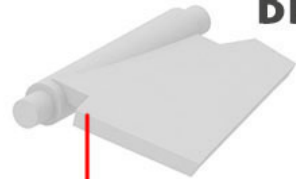
BD17



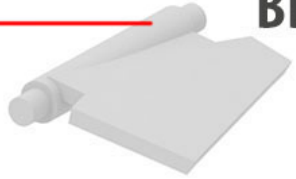
BD18



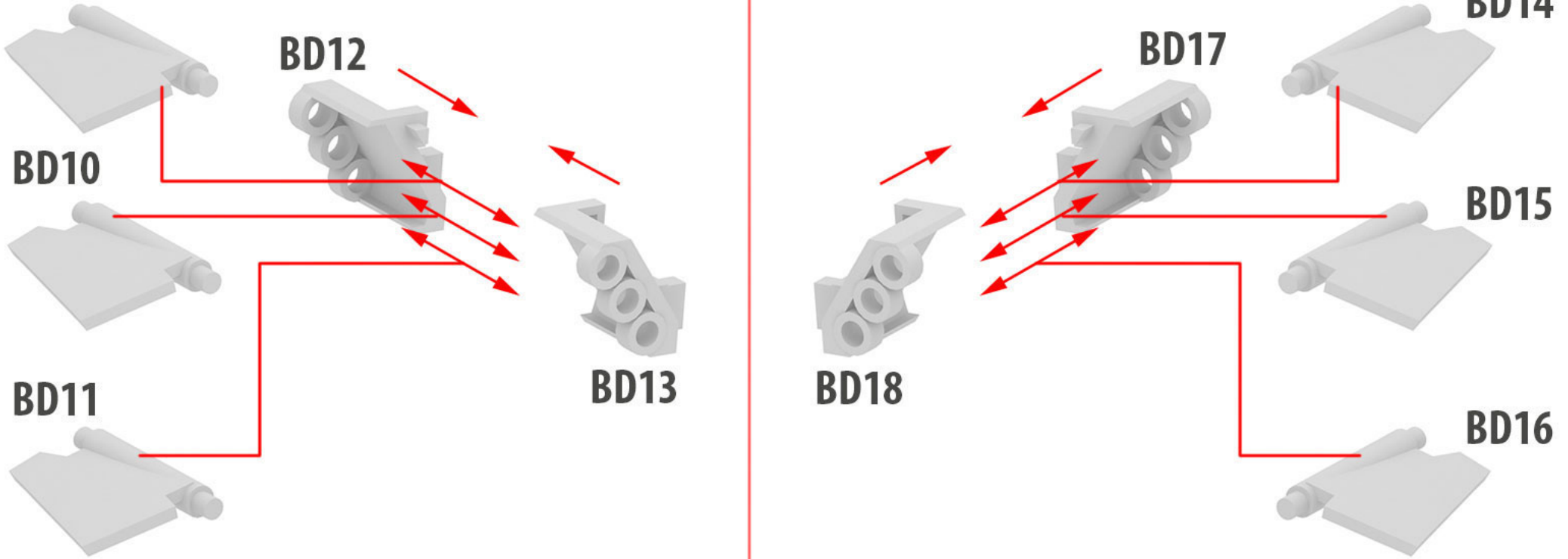
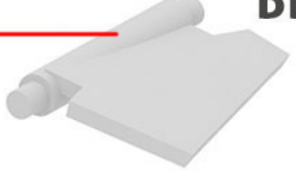
BD14

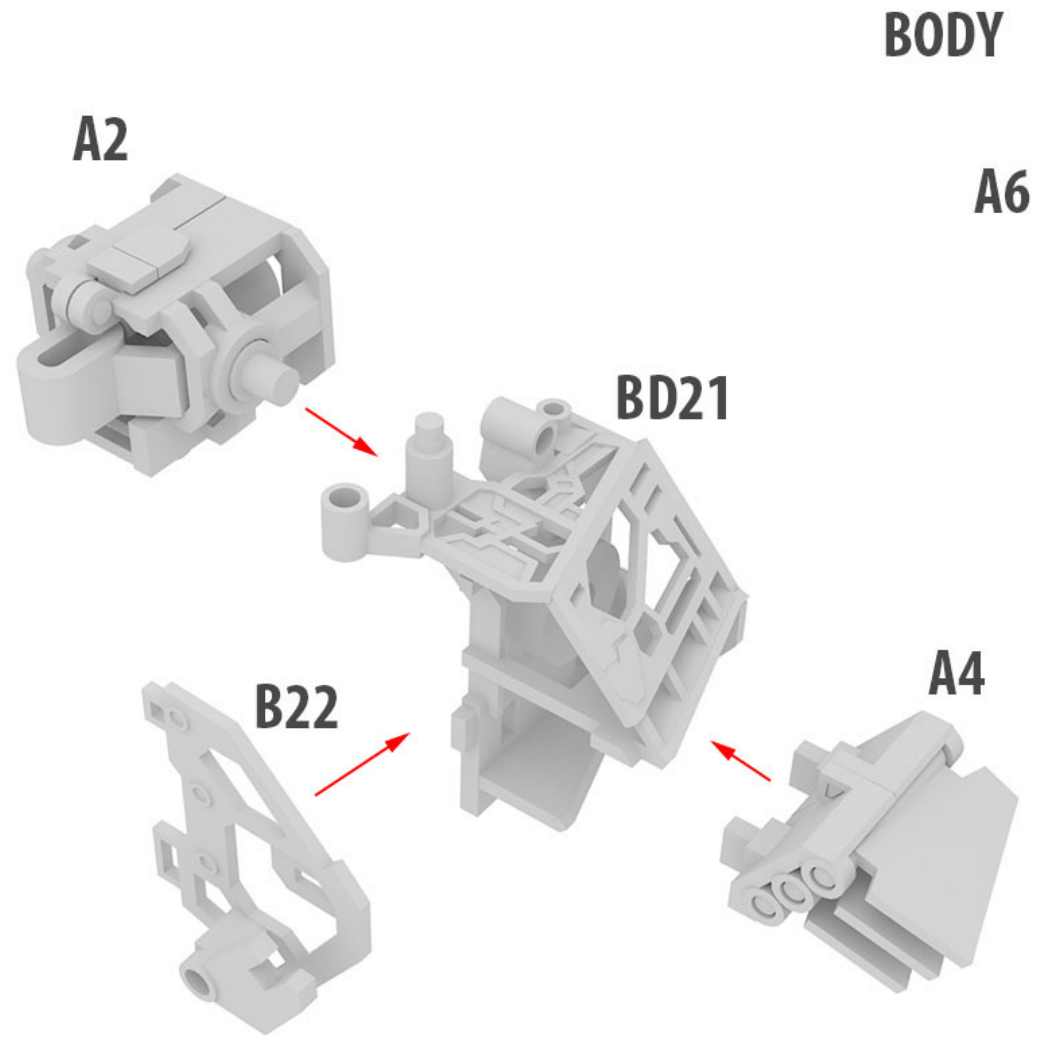
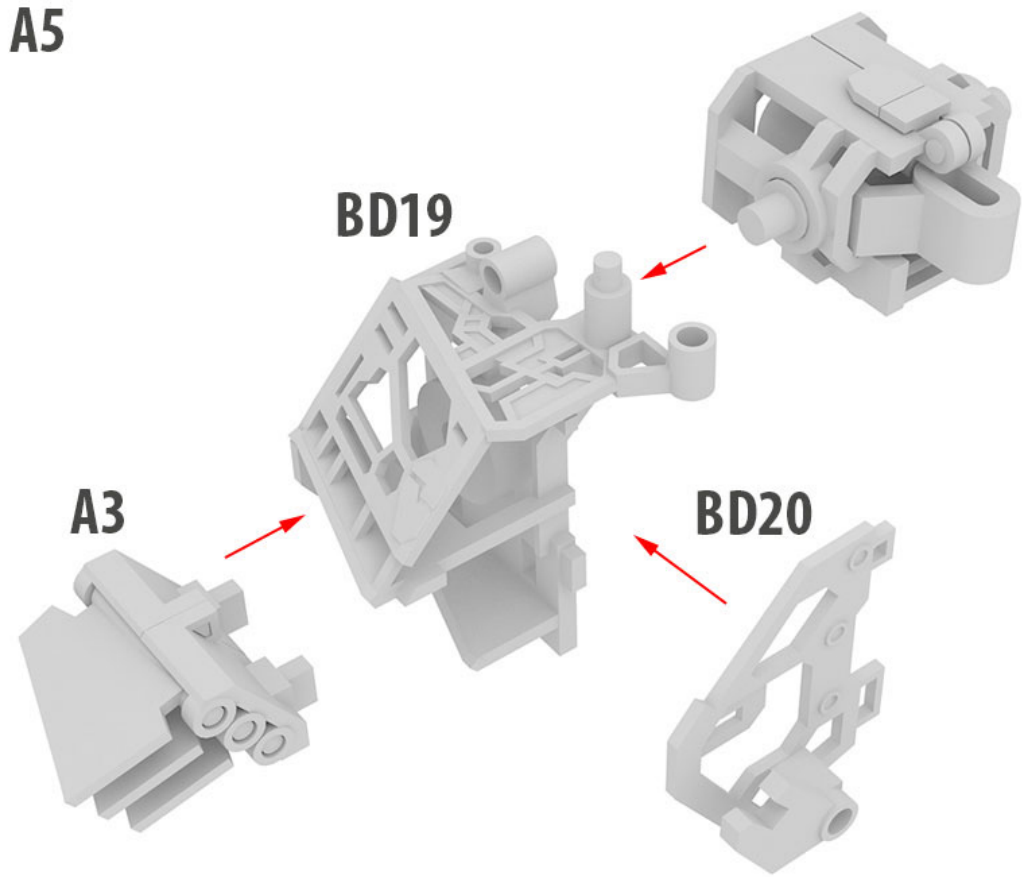


BD15



BD16





A7

BD23



BD24



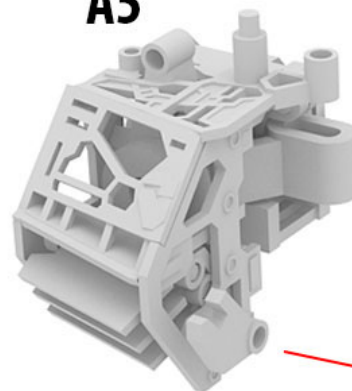
BD25



BODY

A8

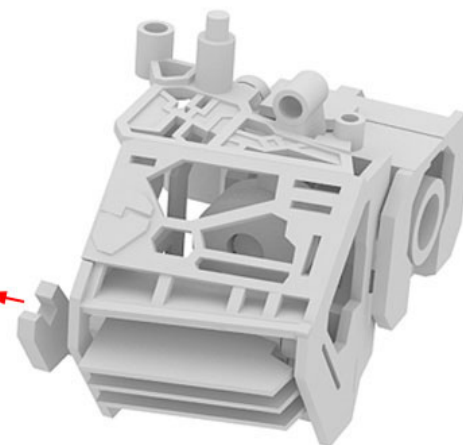
A5



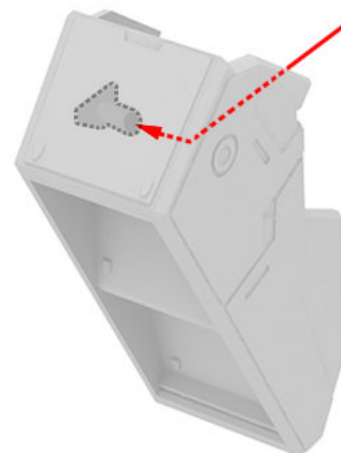
A7



A6



BD26





TOYS - GADGET - HOBBY

A9

BD32

BD31

BD29

BD28

BD30

CORE

- FIXED CORE FIGHTER
(* TRANSFORMABLE
CORE FIGHTER
ARE SOLD
SEPARATELY)

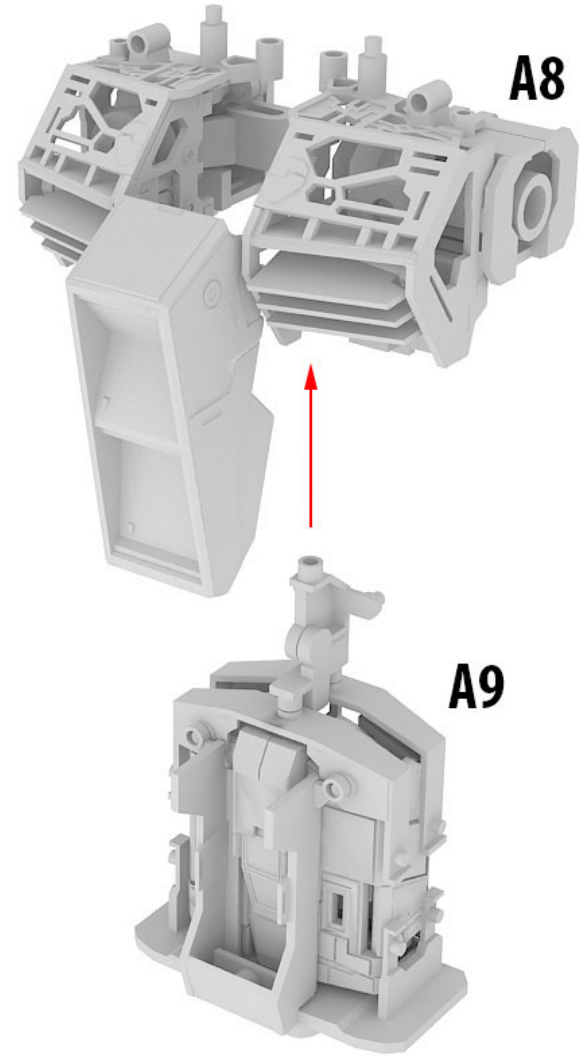
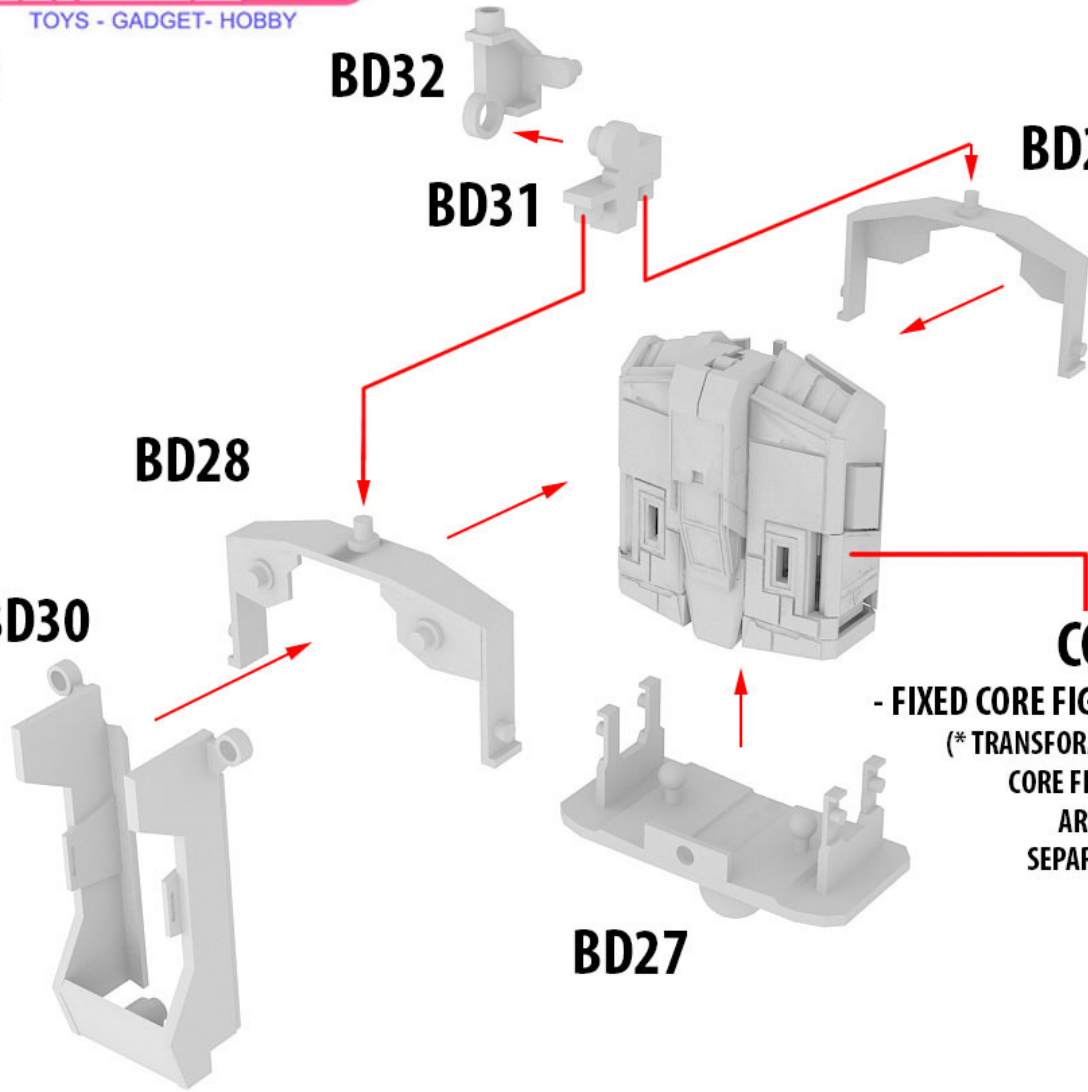
BD27

BODY

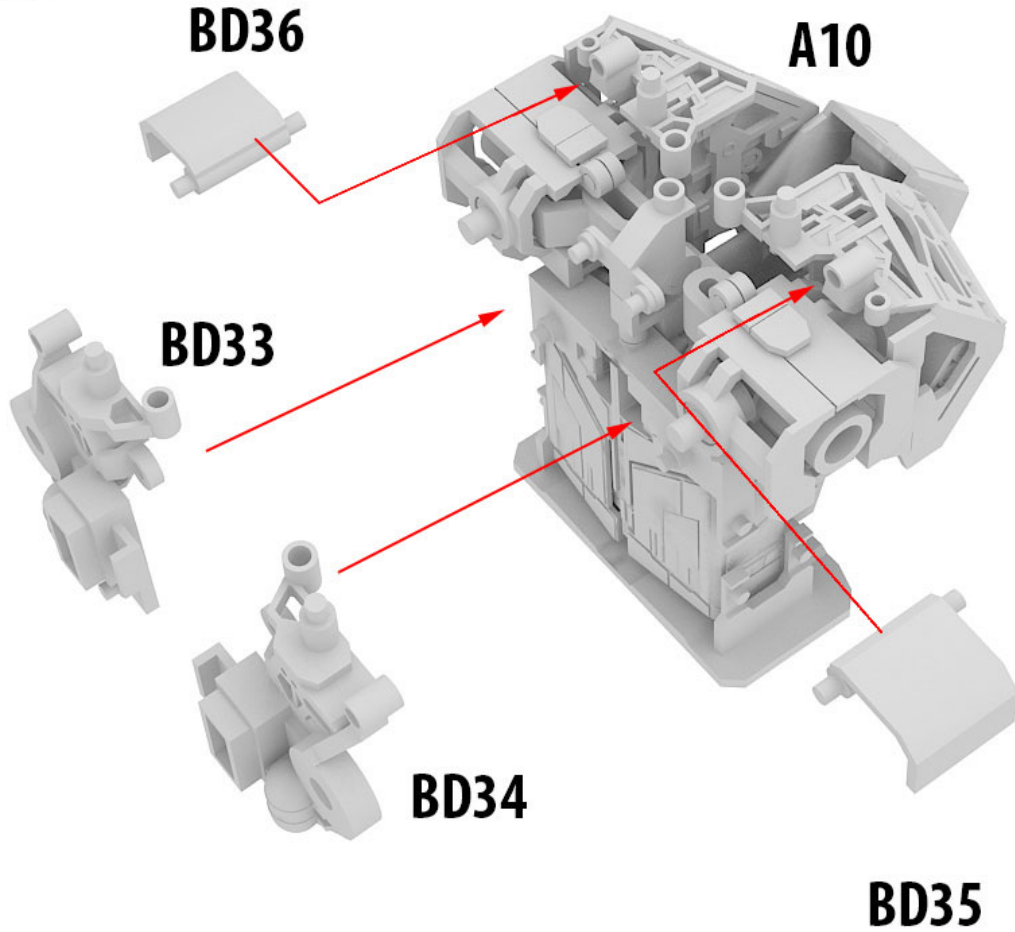
A10

A8

A9

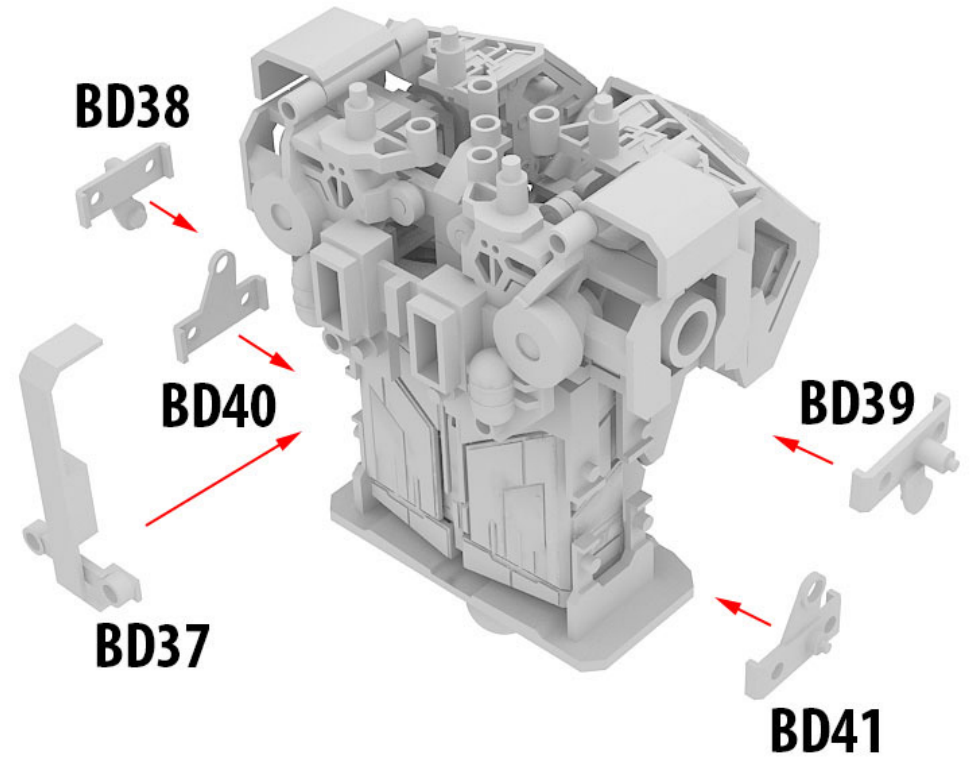


A11



BODY

A12



A12

A11

BD42

BD43

BD44

BD45

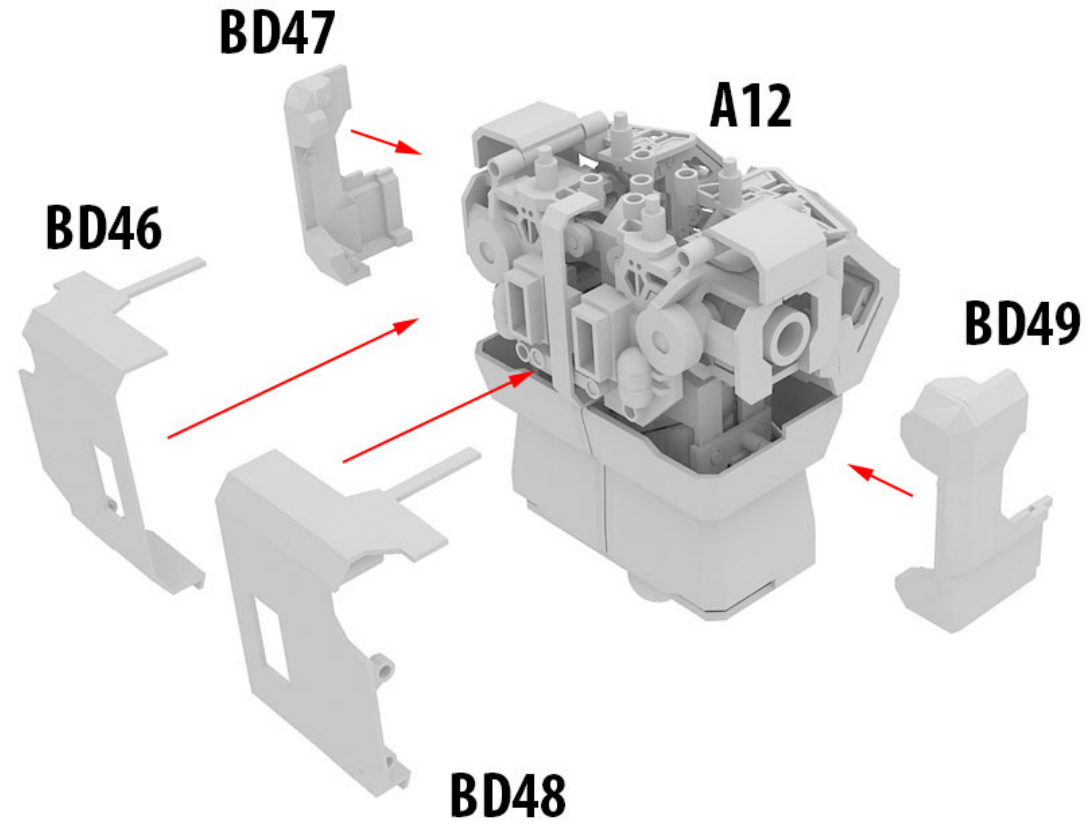
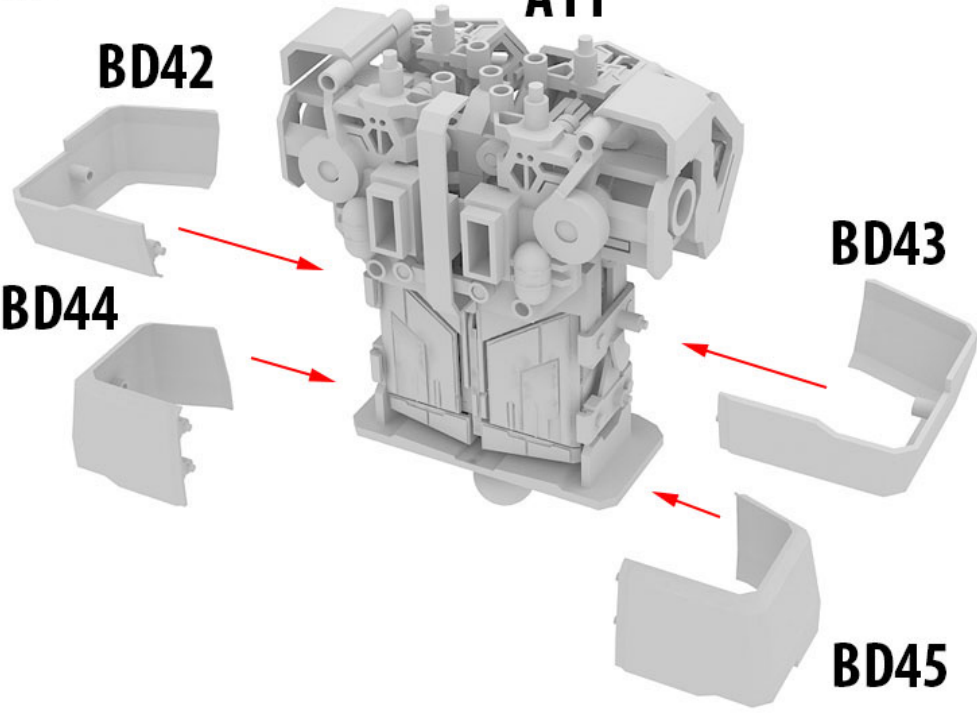
BD47

A12

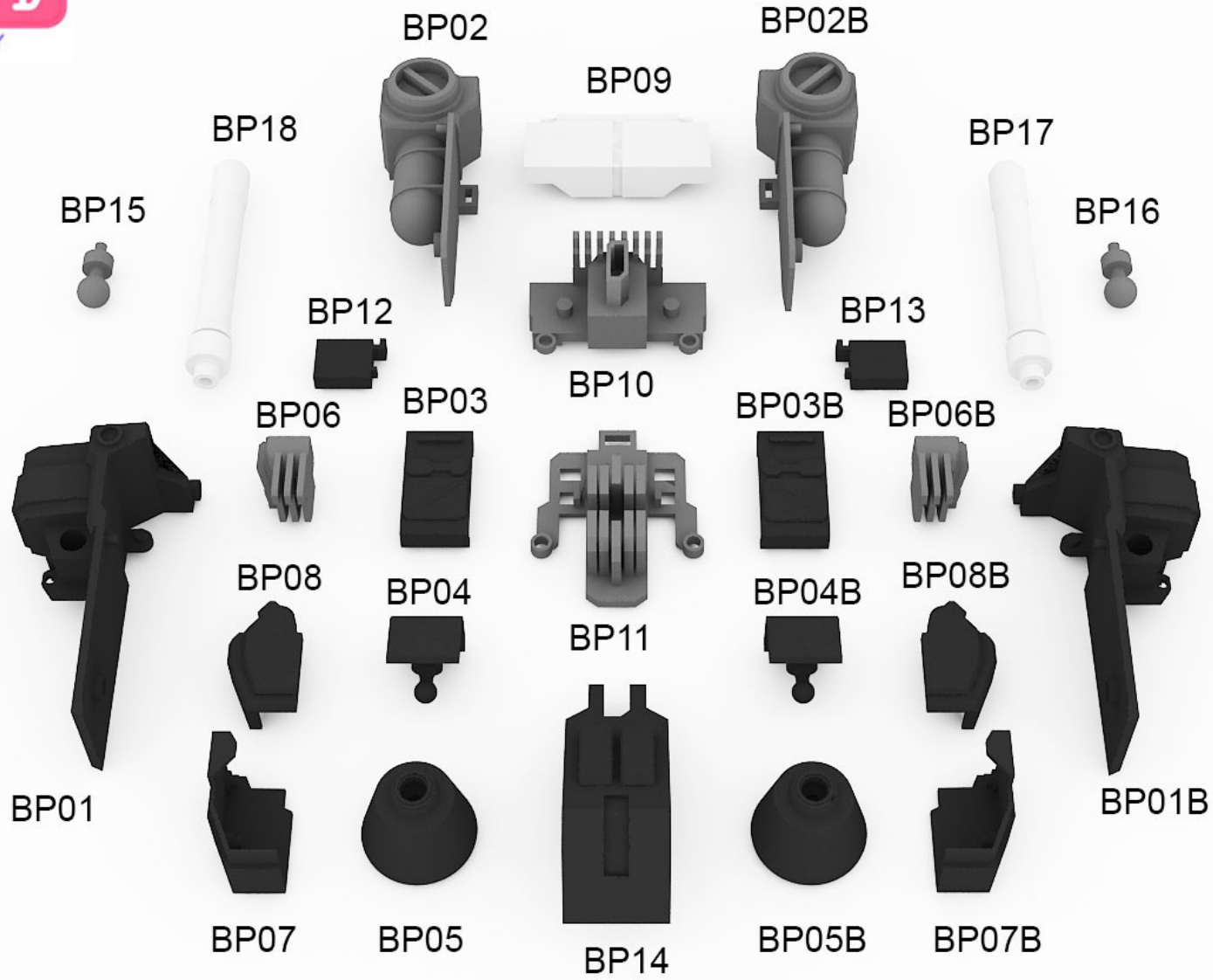
BD46

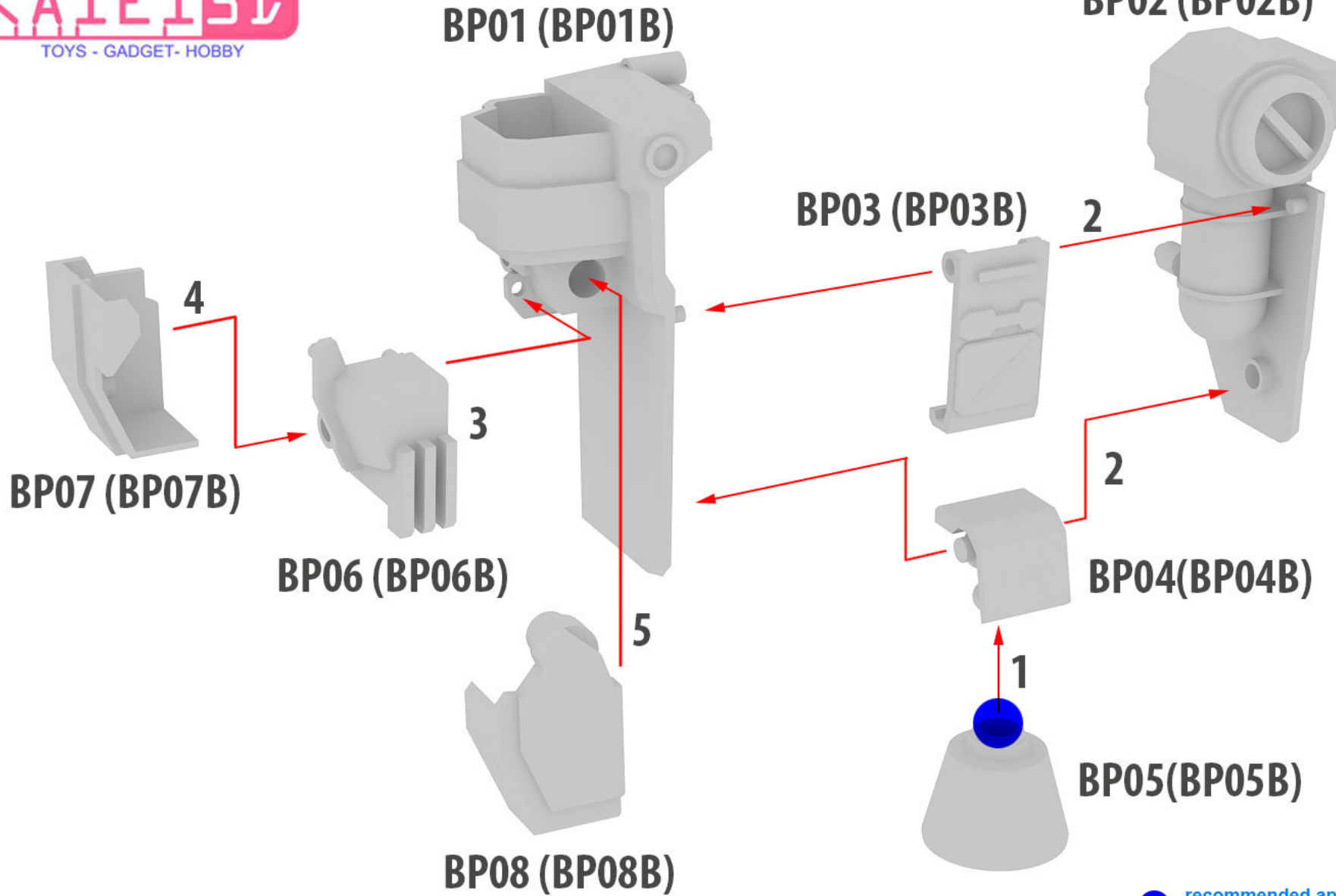
BD49

BD48

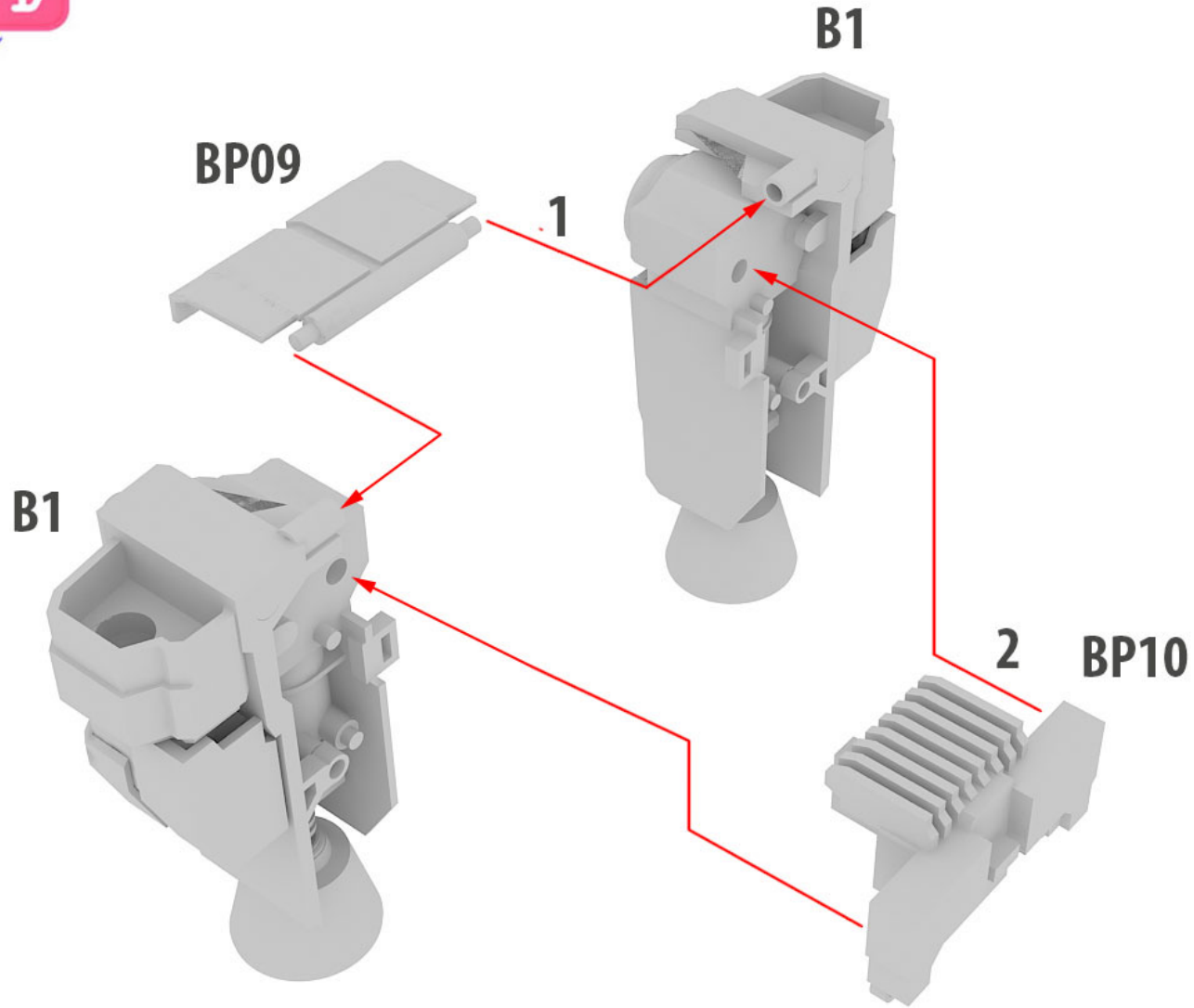




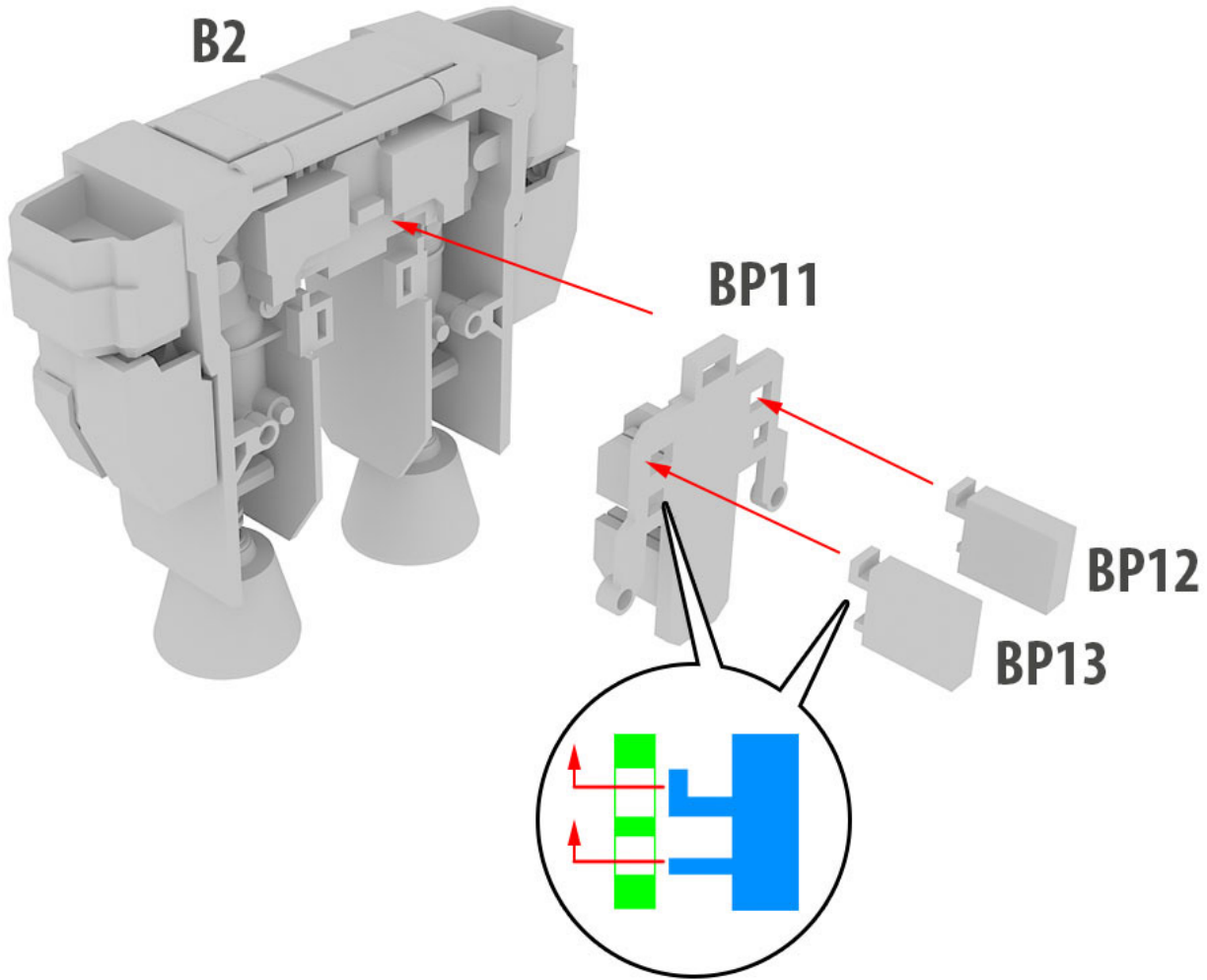




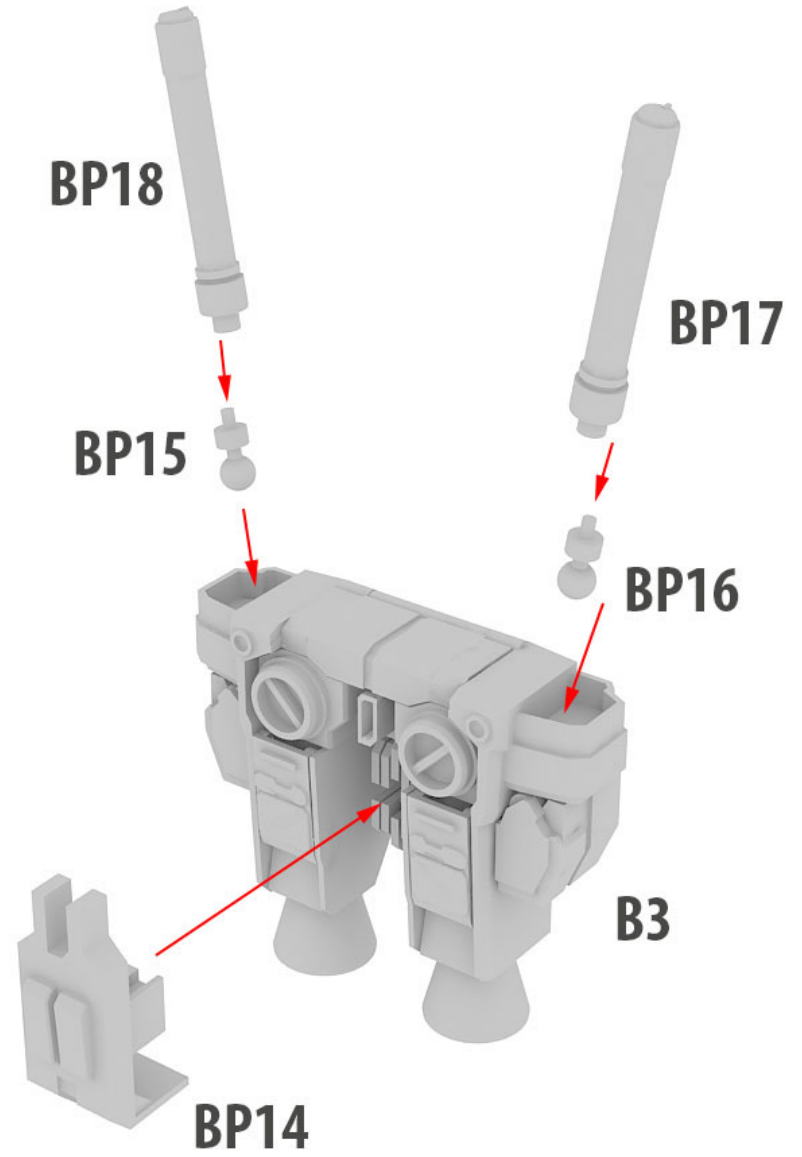
● recommended apply RUBBER GLUE or RESIN on ball joint area for better articulation

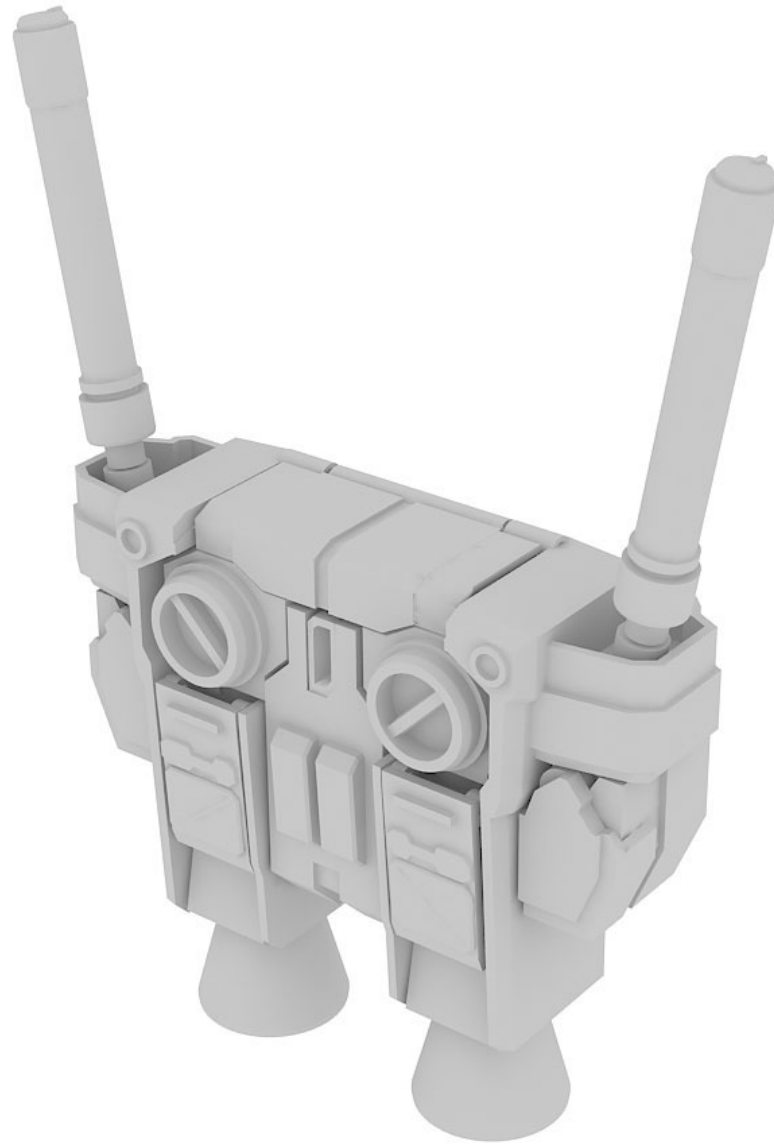


B3

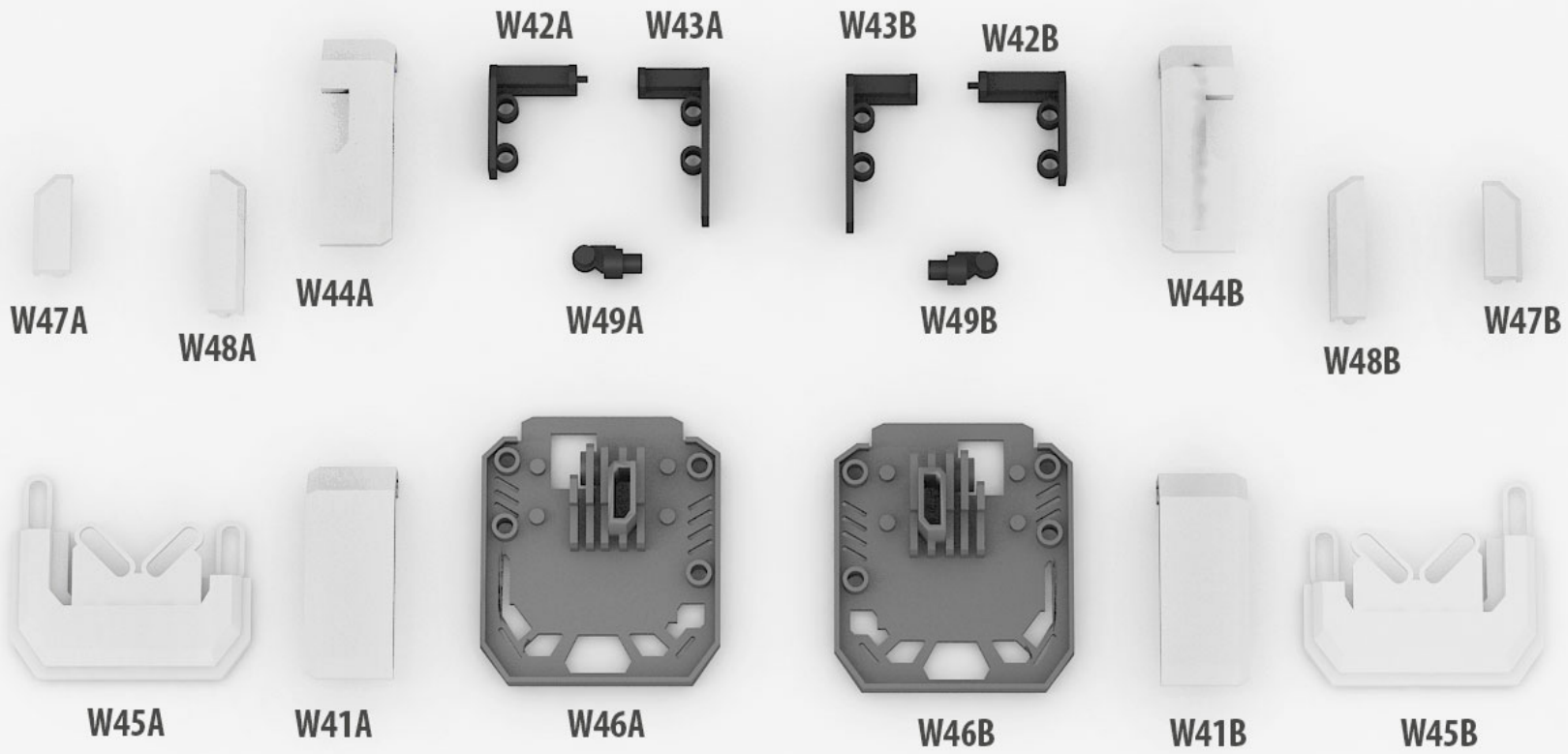


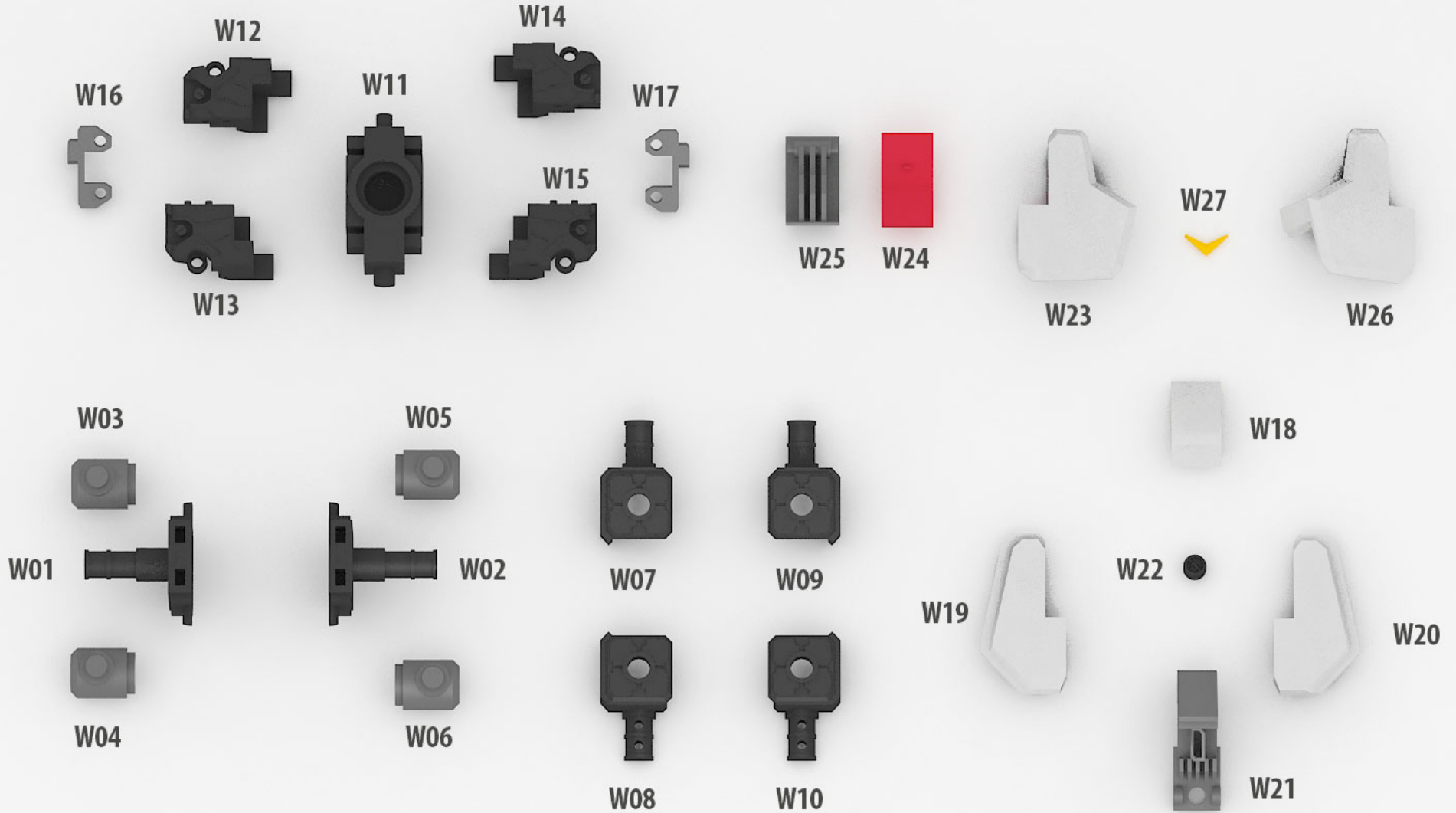
BACK PACK

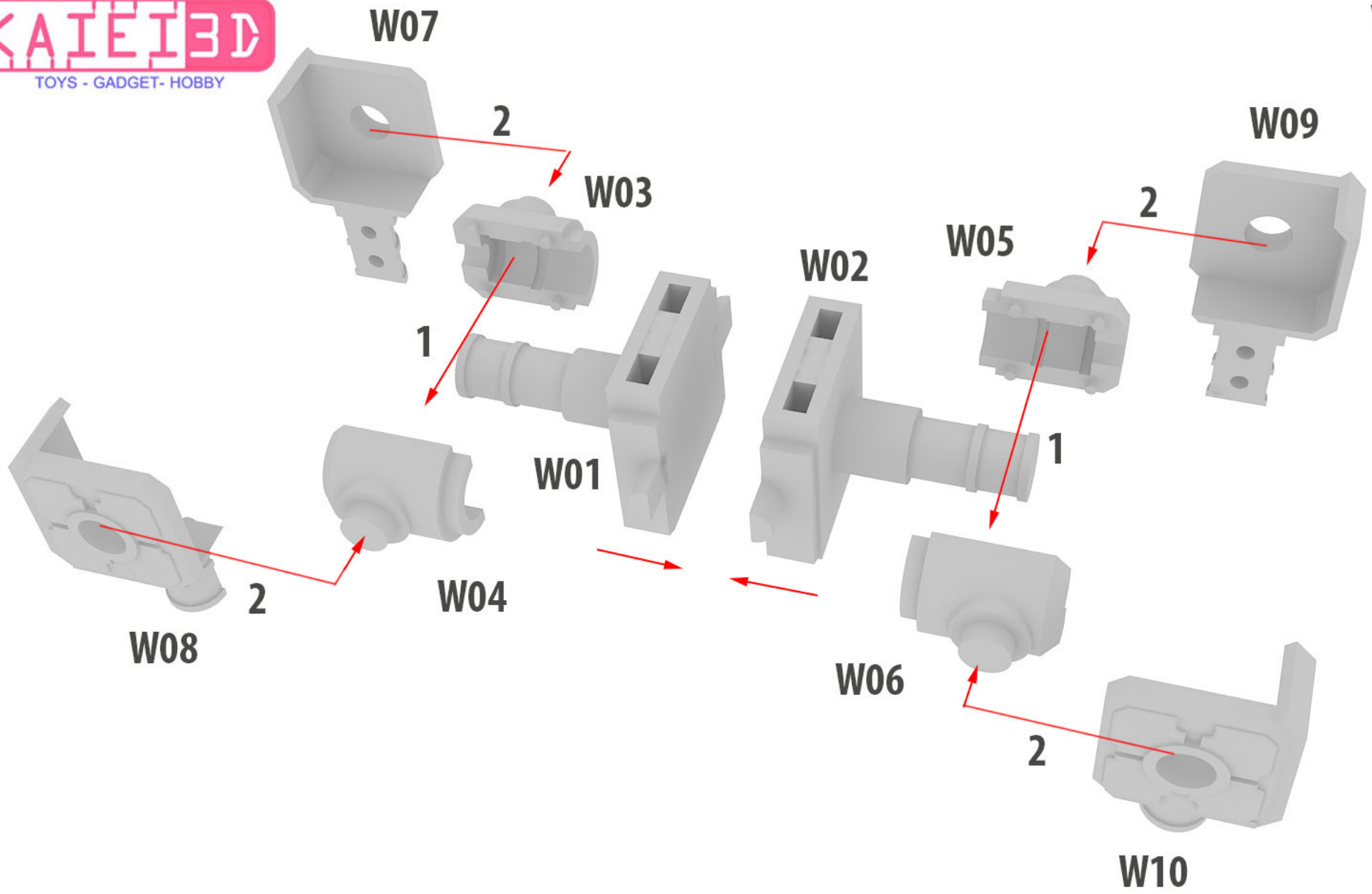


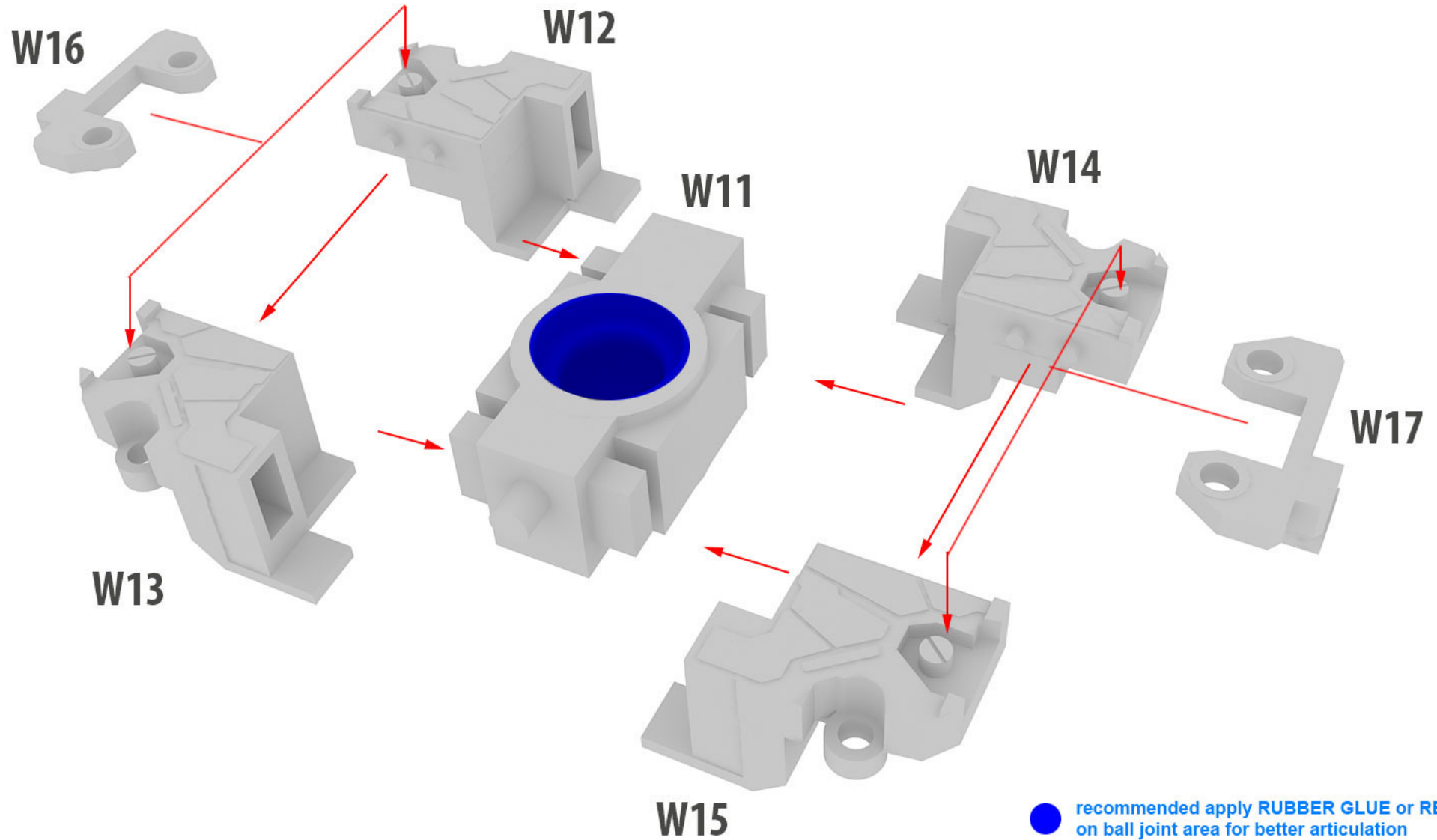






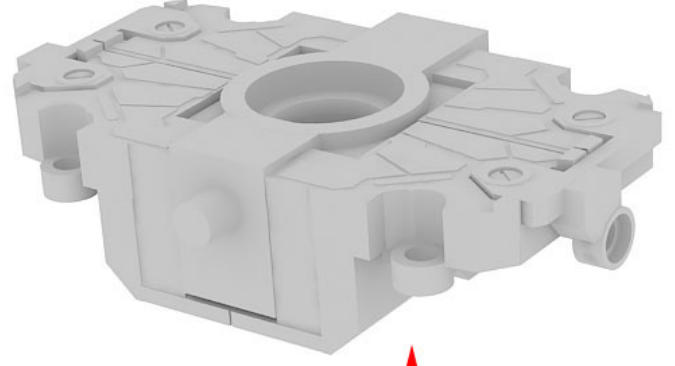




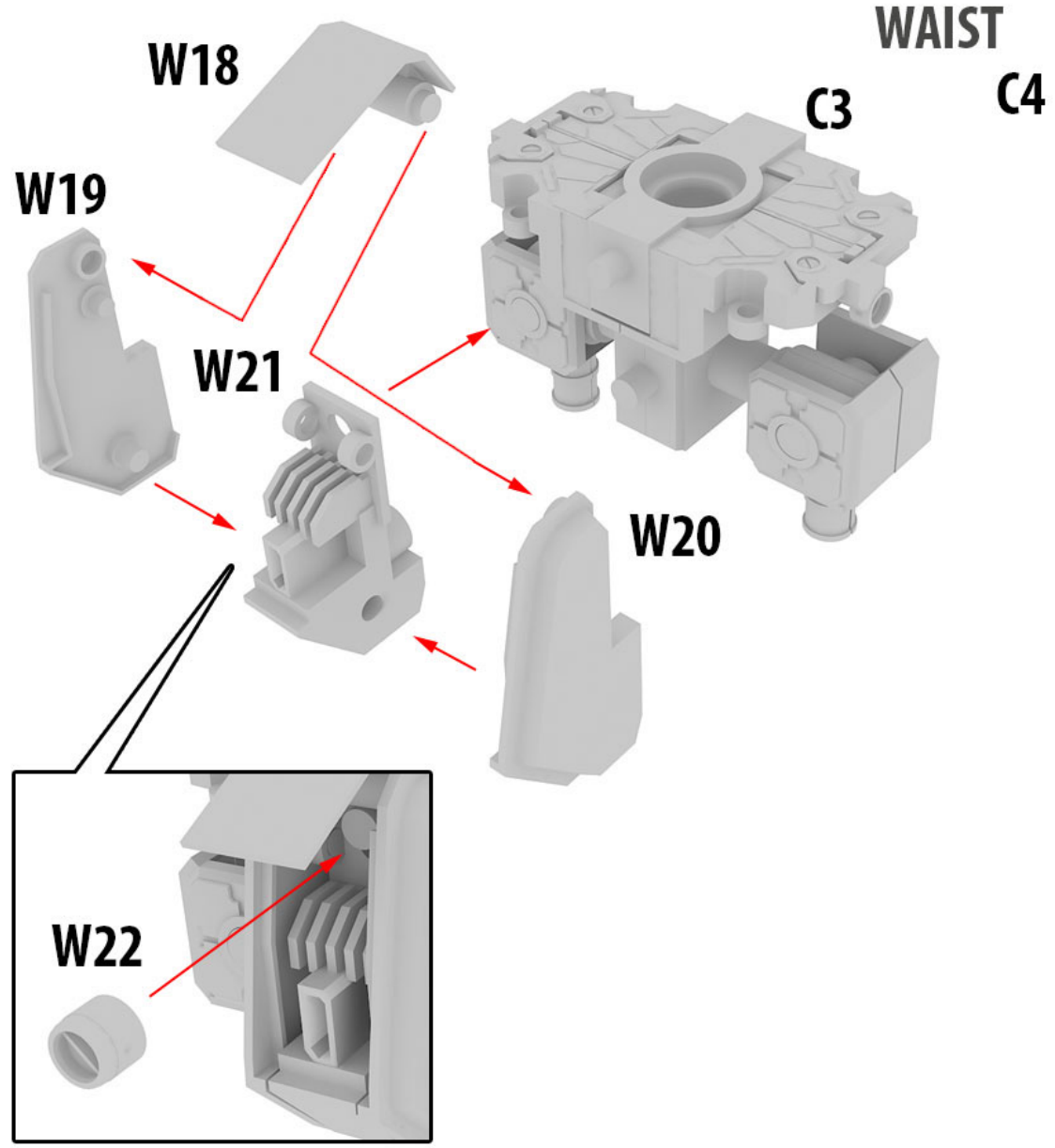
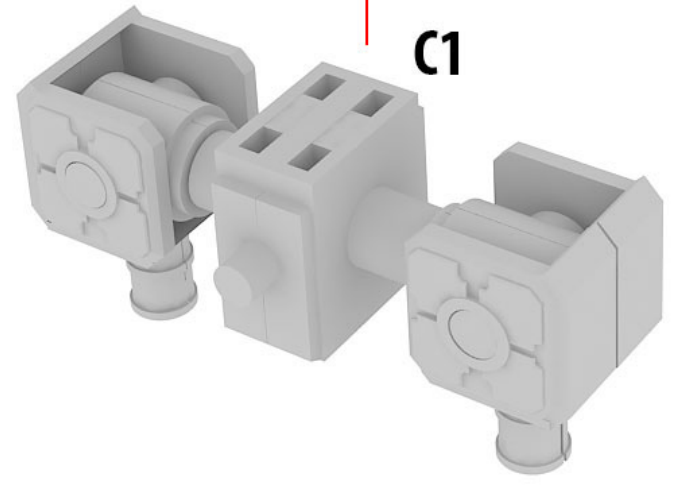


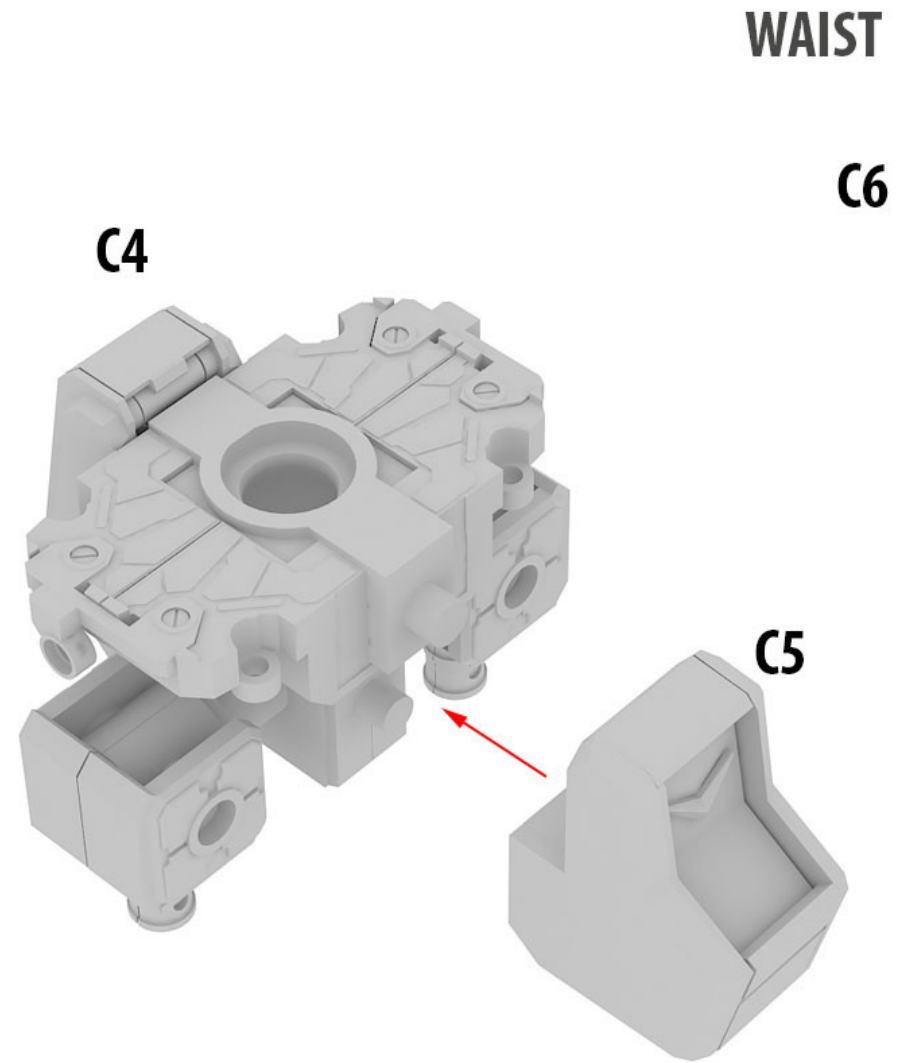
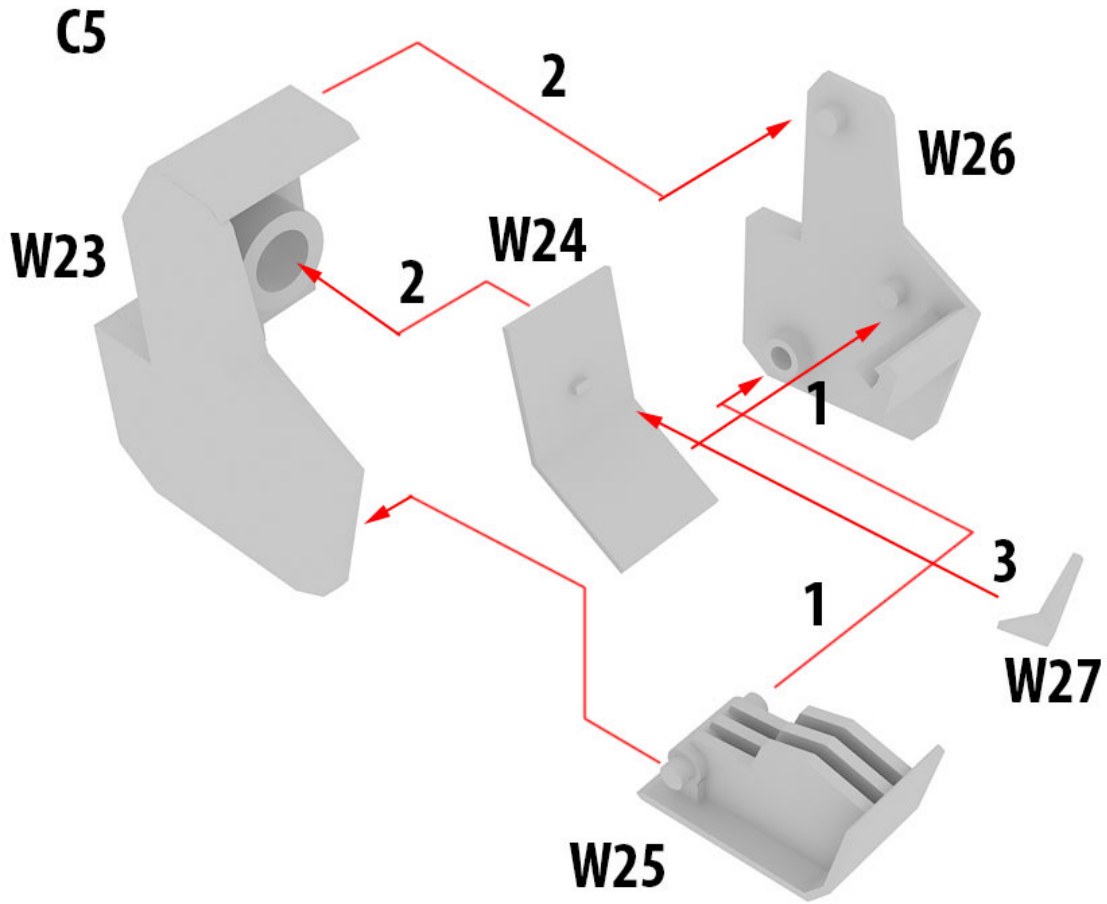
C3

C2

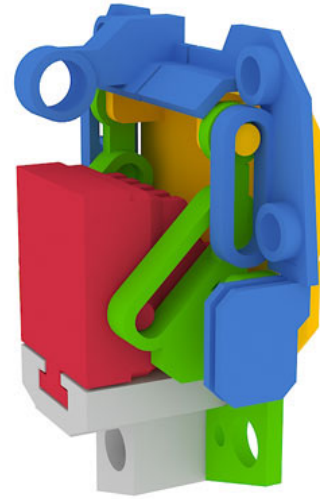


C1





C7



W34A
(W34B)

W28A
(W28B)

W29A
(W29B)

1

W30A
(W30B)

1

W31A
(W31B)

W33A
(W33B)

2

W35A
(W35B)

2

W36A
(W36B)

W32A
(W32B)

C7

2

2

W40A
(W40B)

W39A
(W39B)

W37A
(W37B)

1

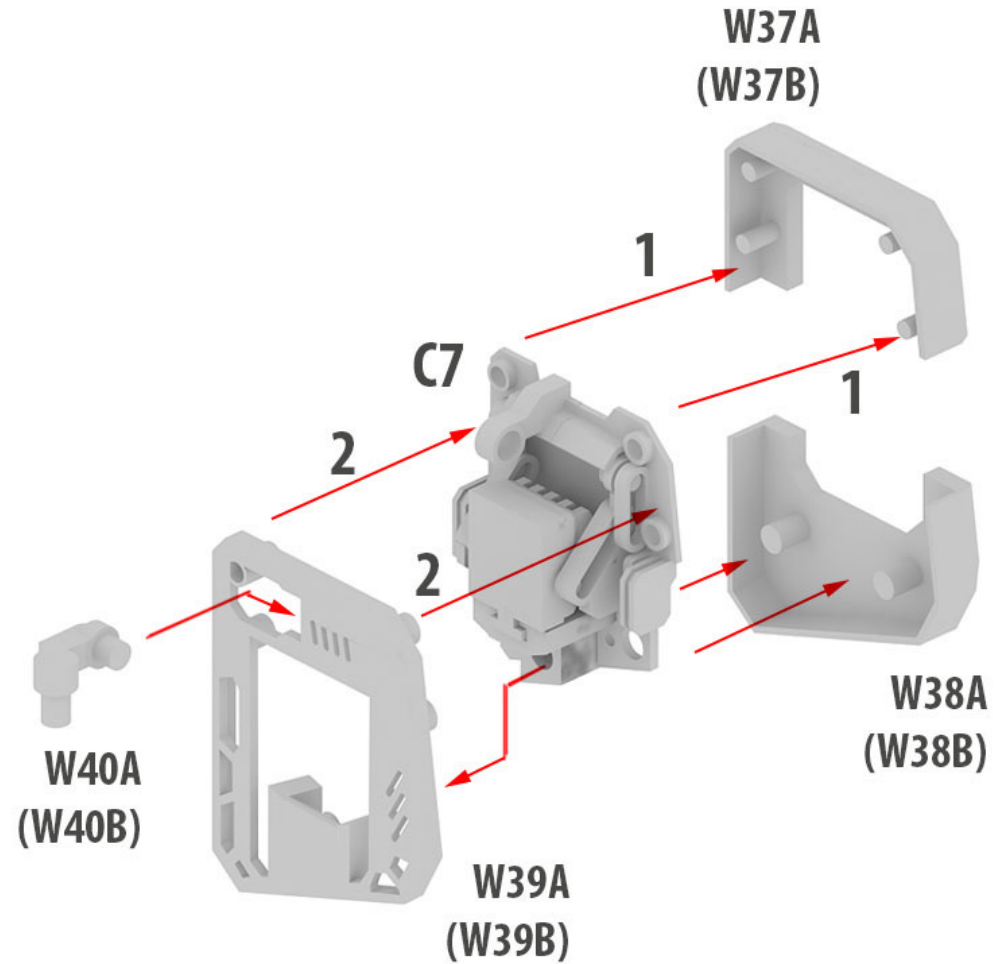
1

W38A
(W38B)

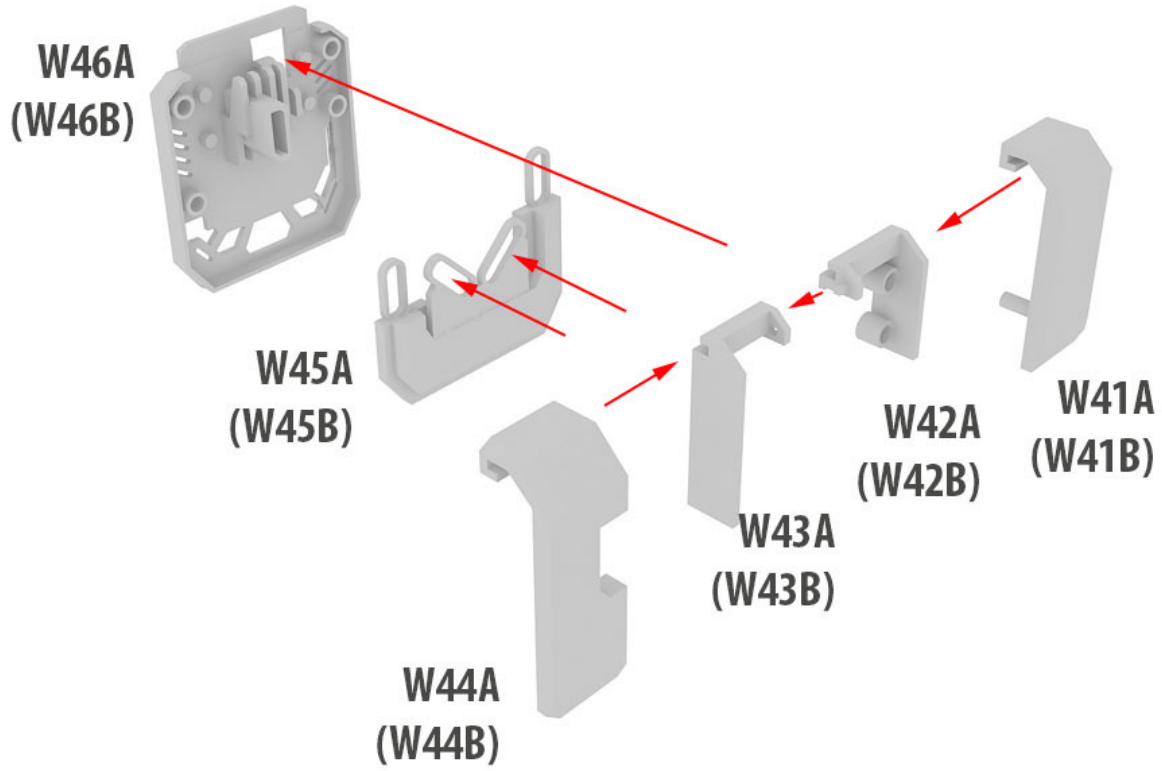
WAIST

C8

***2 SETS**

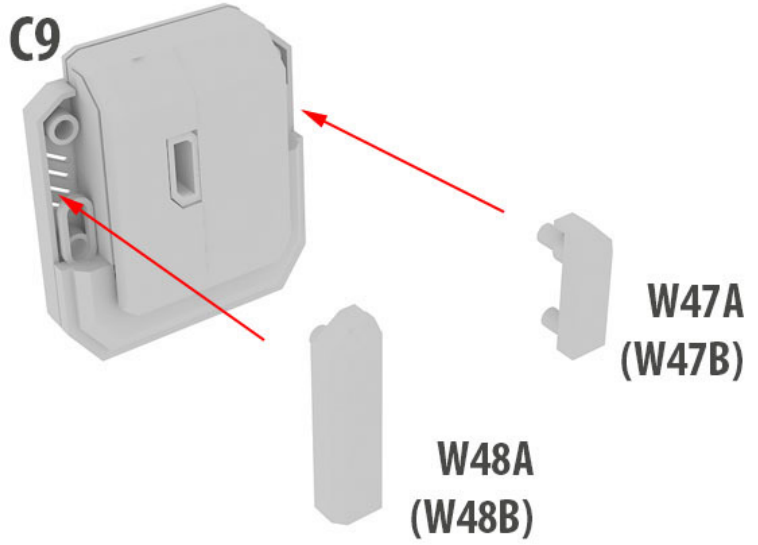


C9

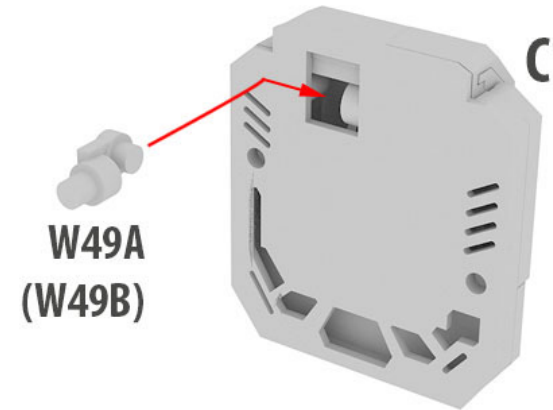


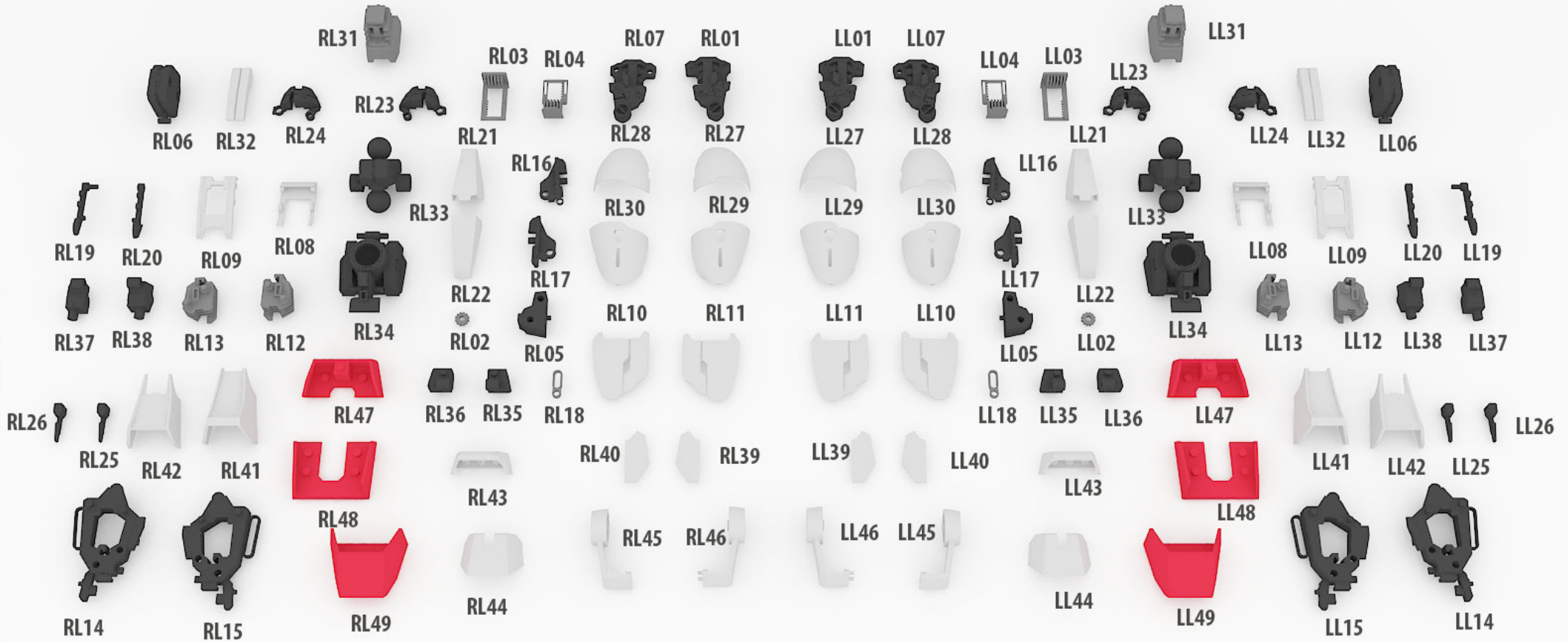
WAIST
C10

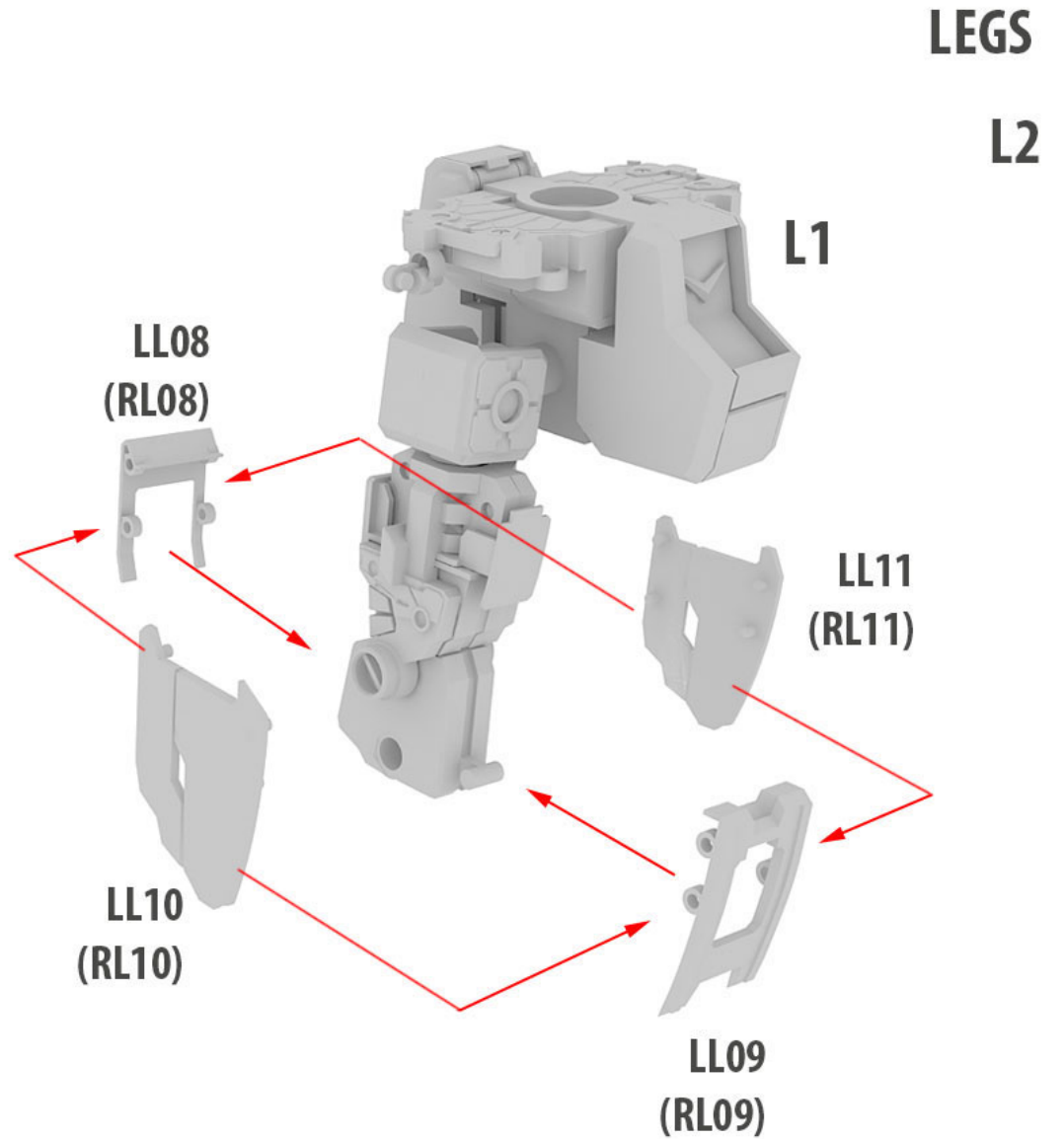
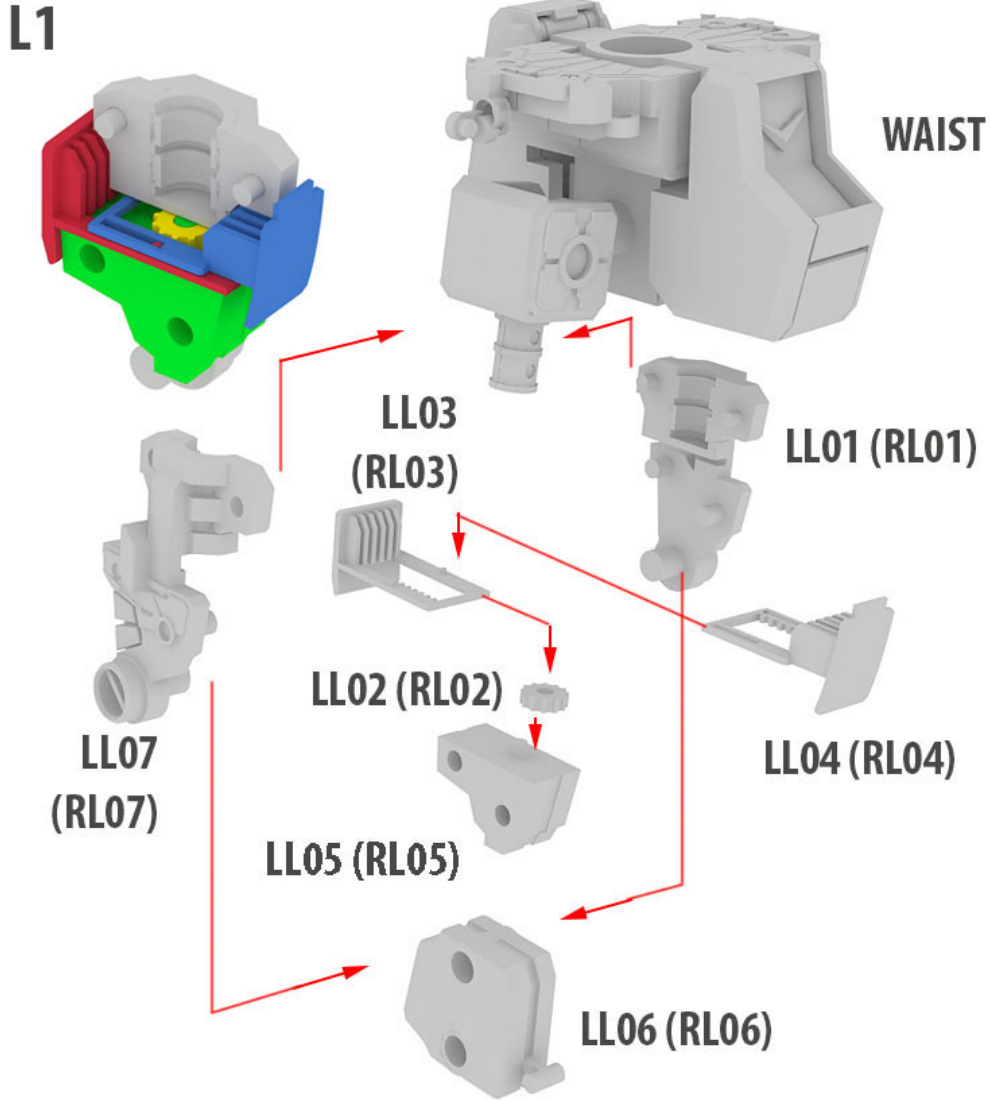
C9



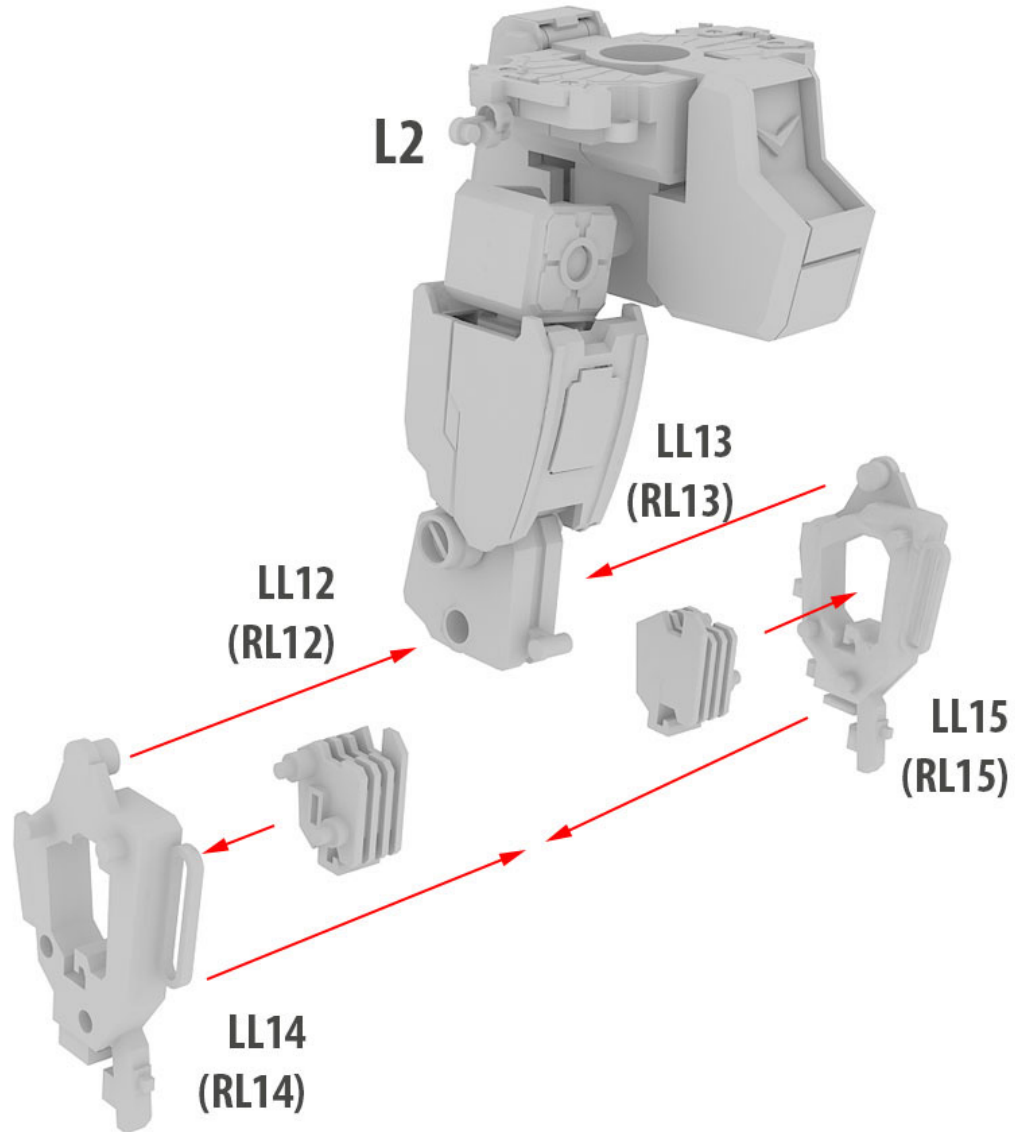
C10





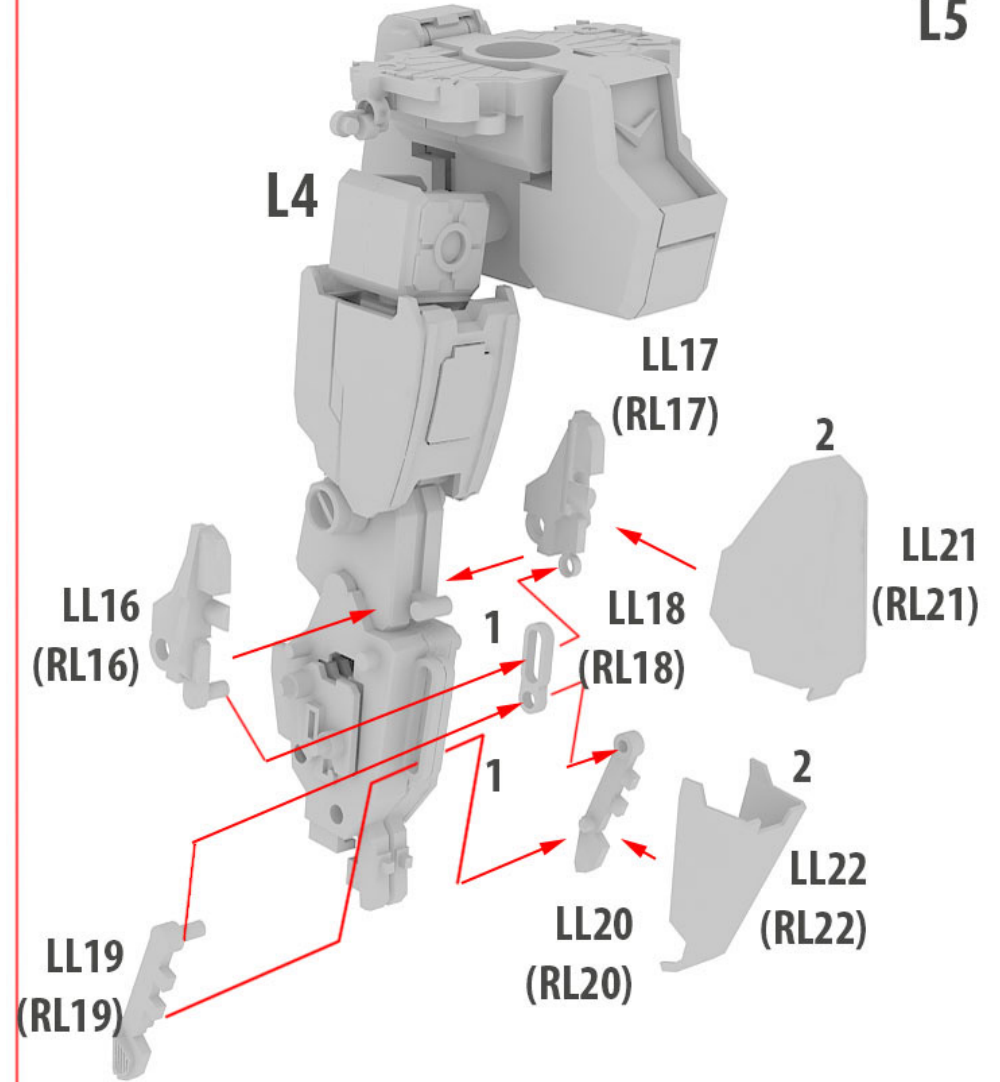


L3

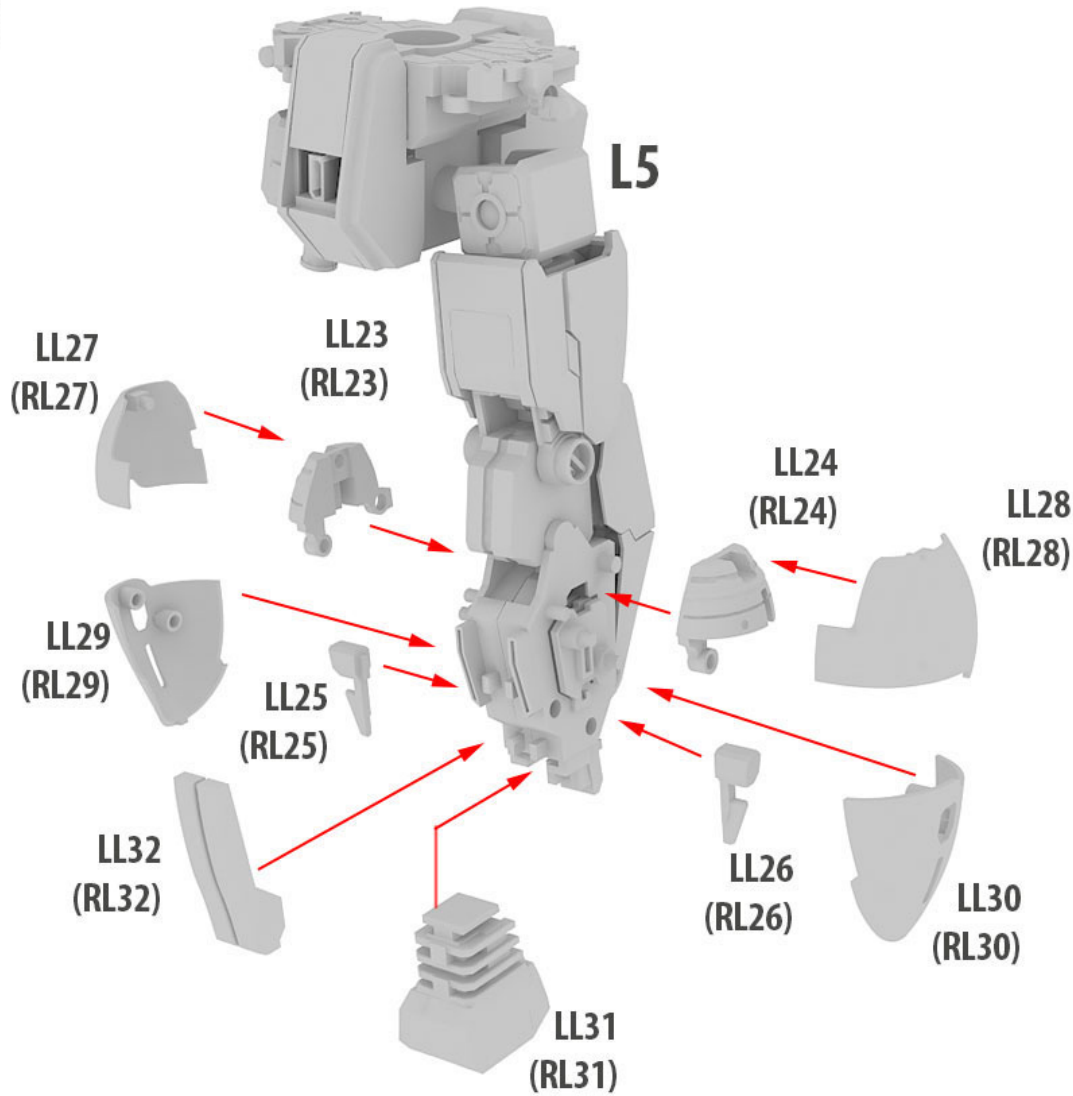


LEGS

L5

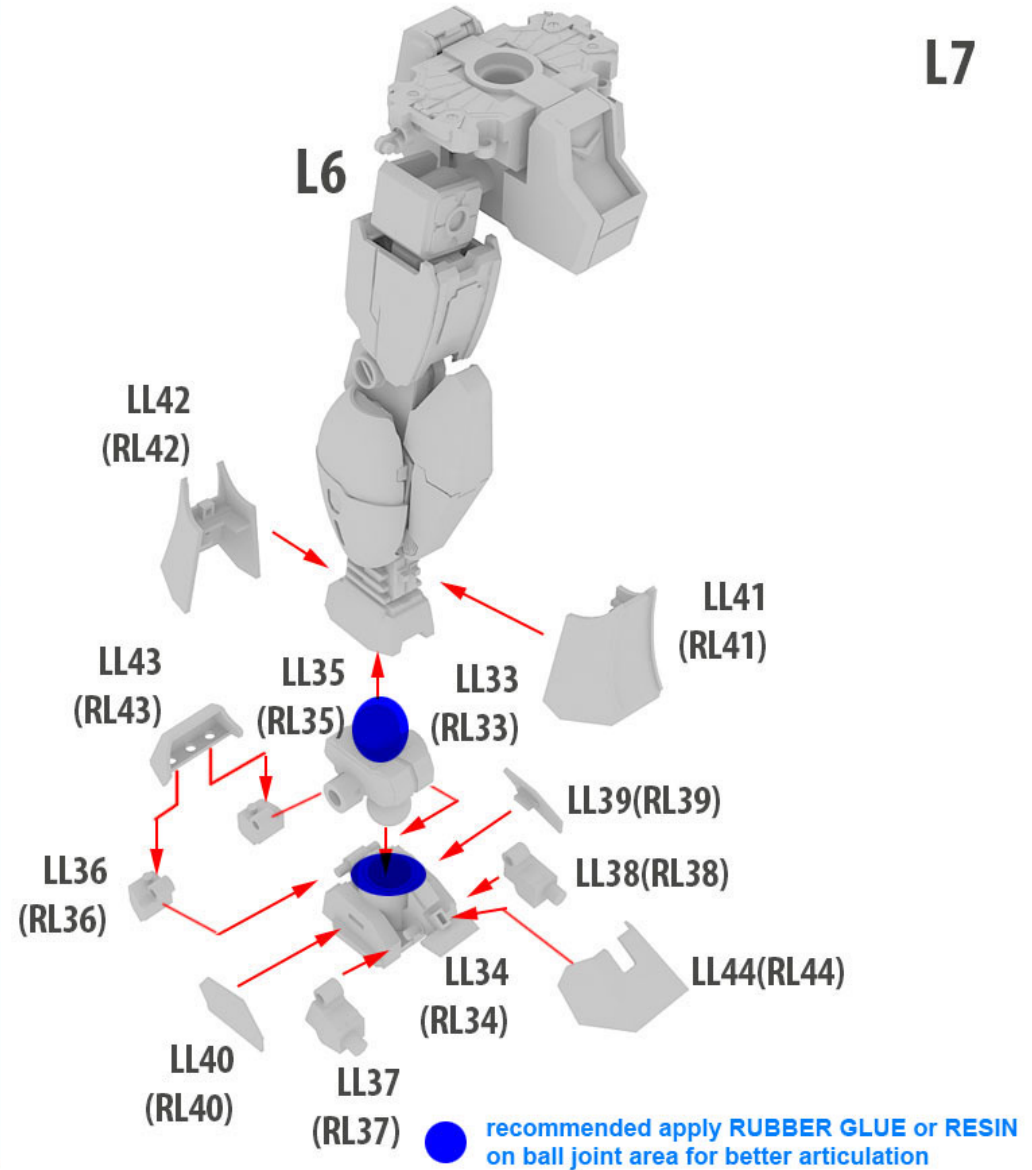


L6

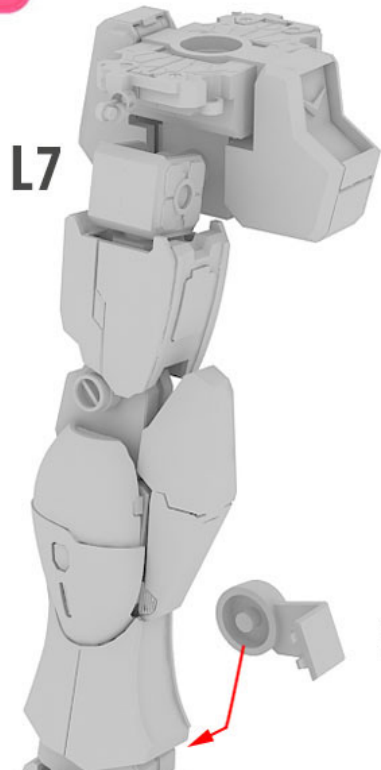


LEGS

L7



L7



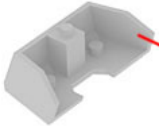
**LL46
(RL46)**



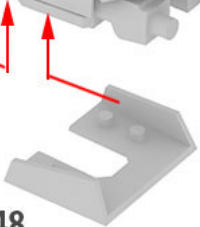
**LL45
(RL45)**



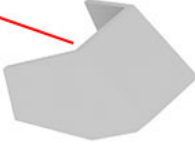
**LL47
(RL47)**



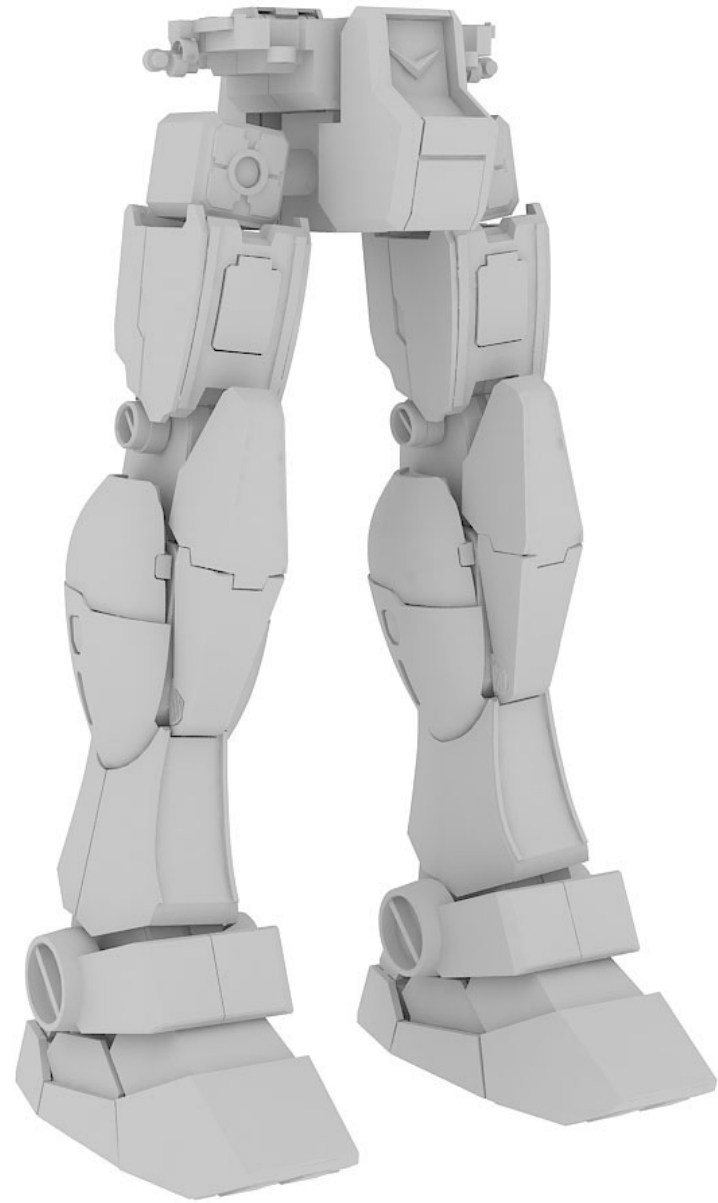
**LL48
(RL48)**

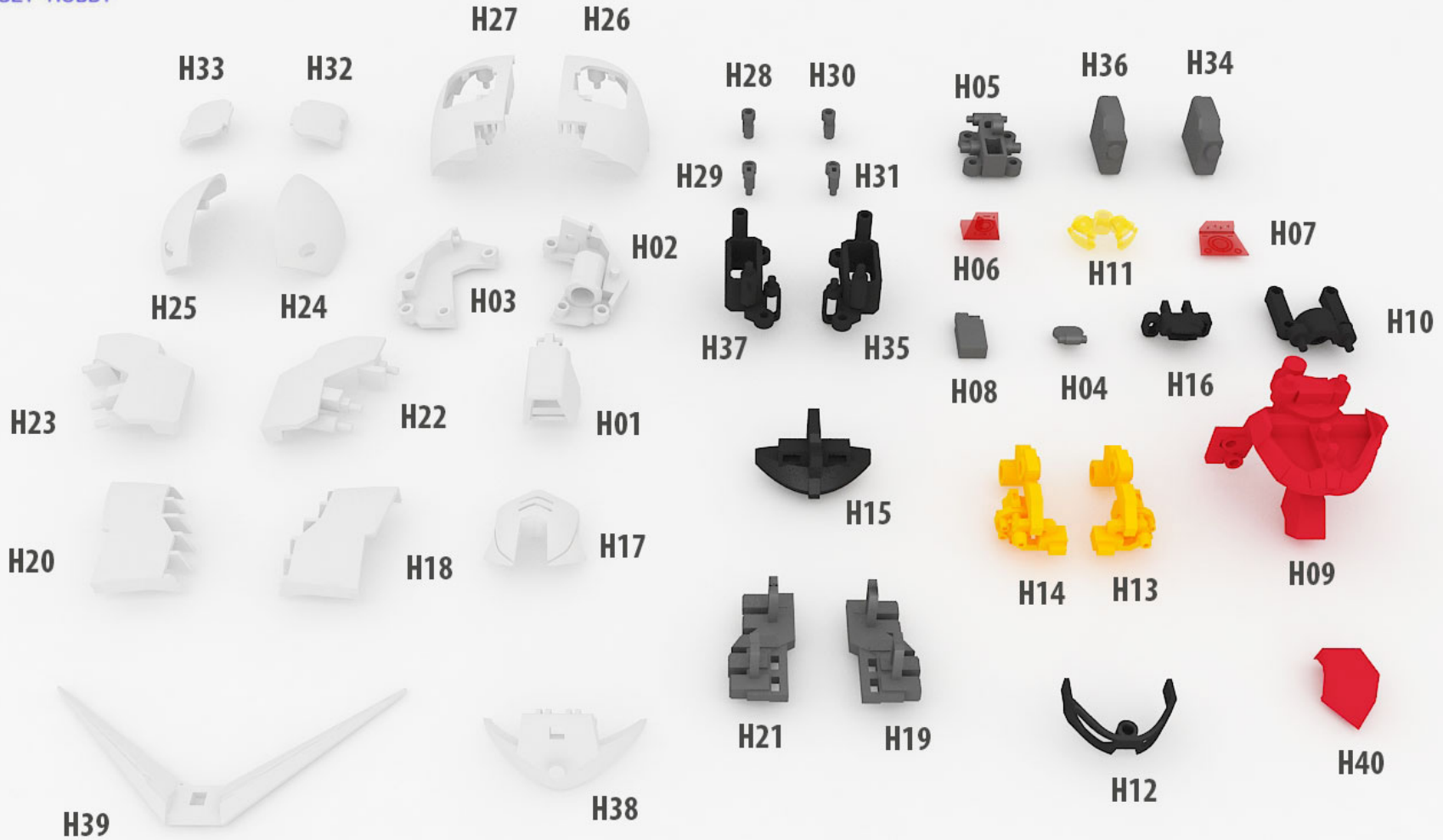


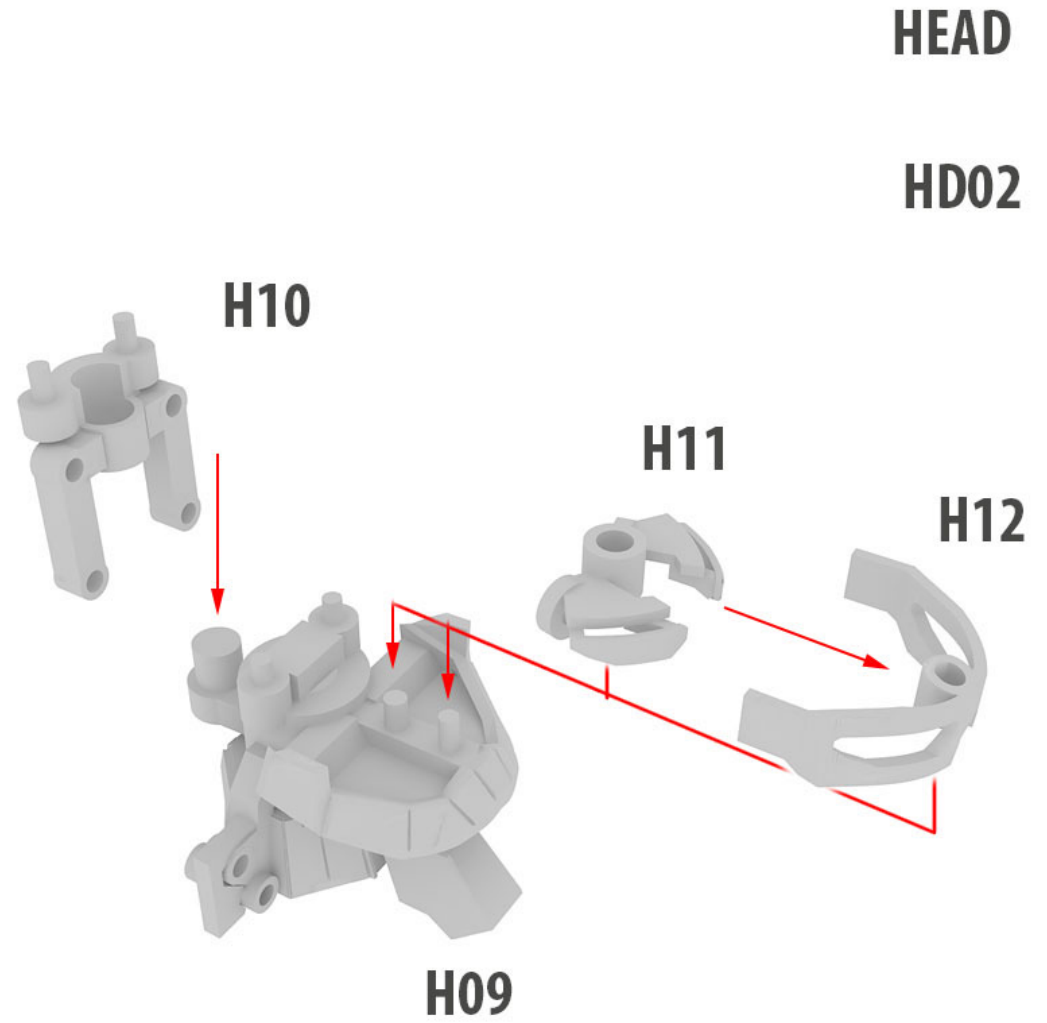
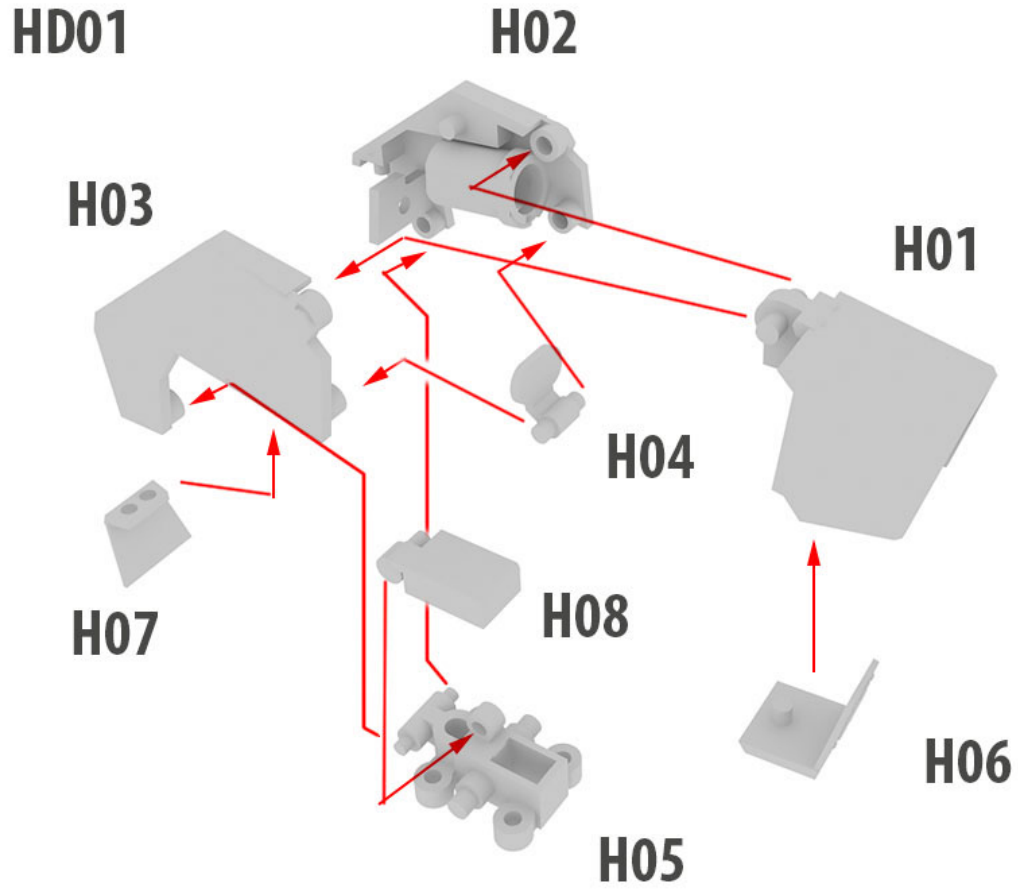
**LL49
(RL49)**



LEGS

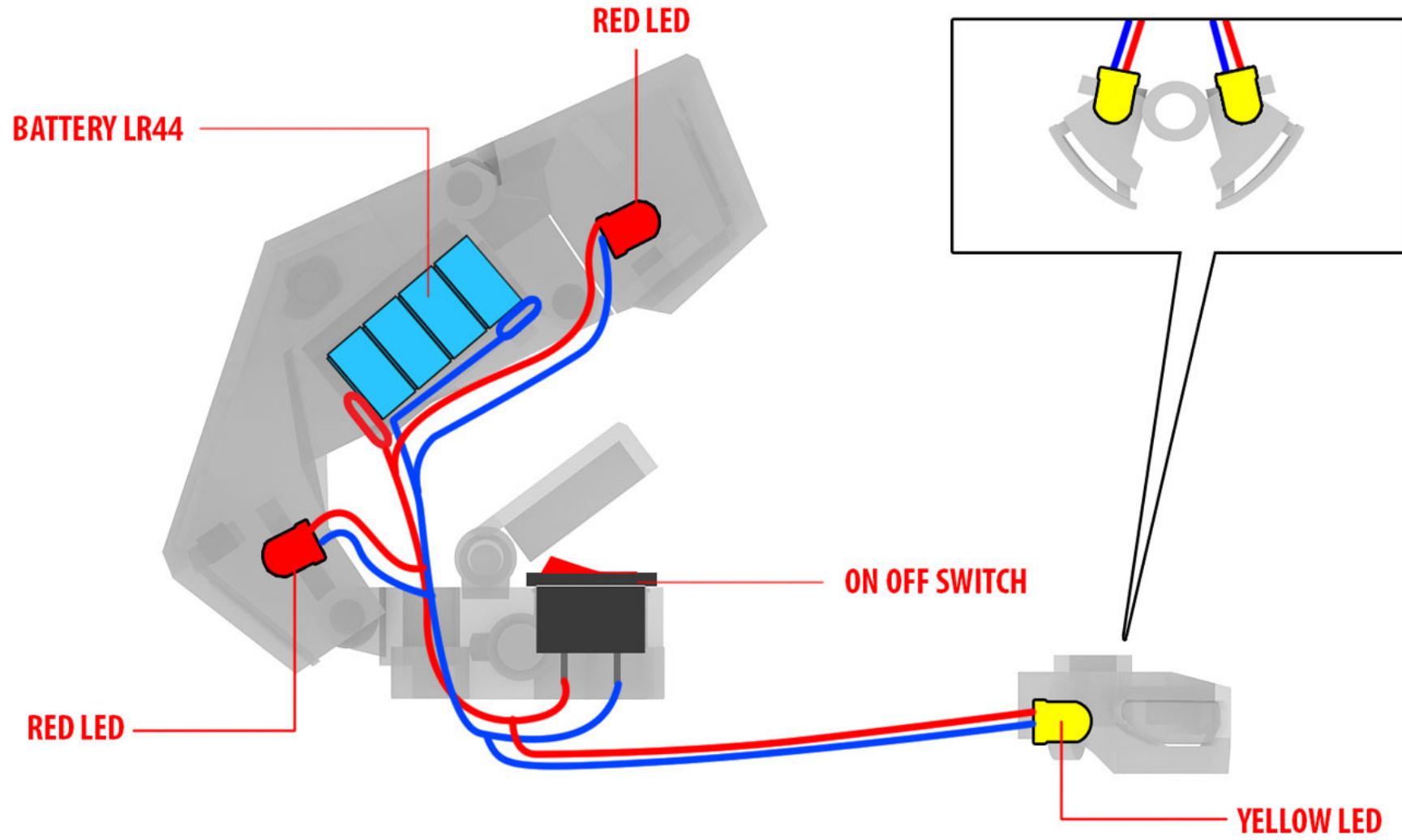




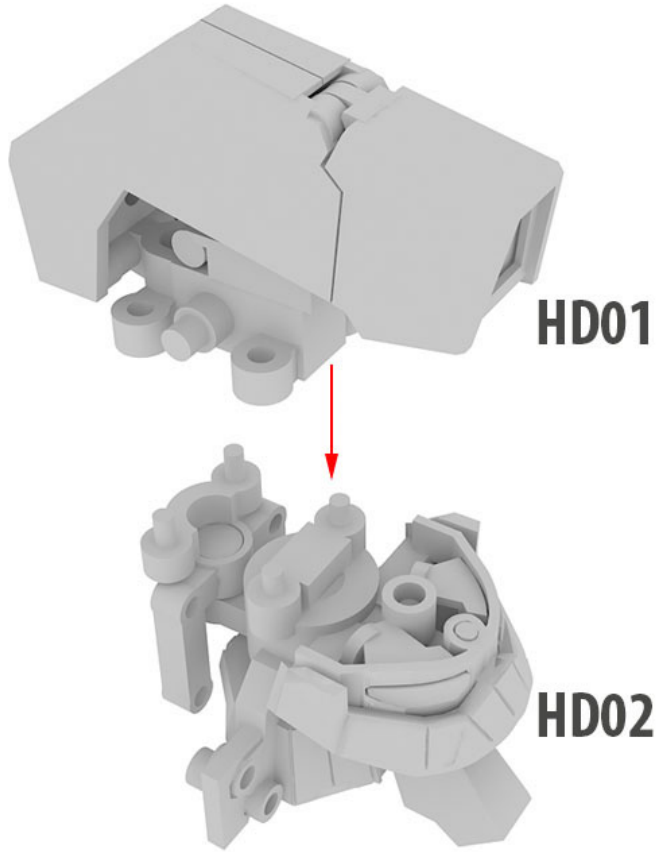


HEAD

HD02

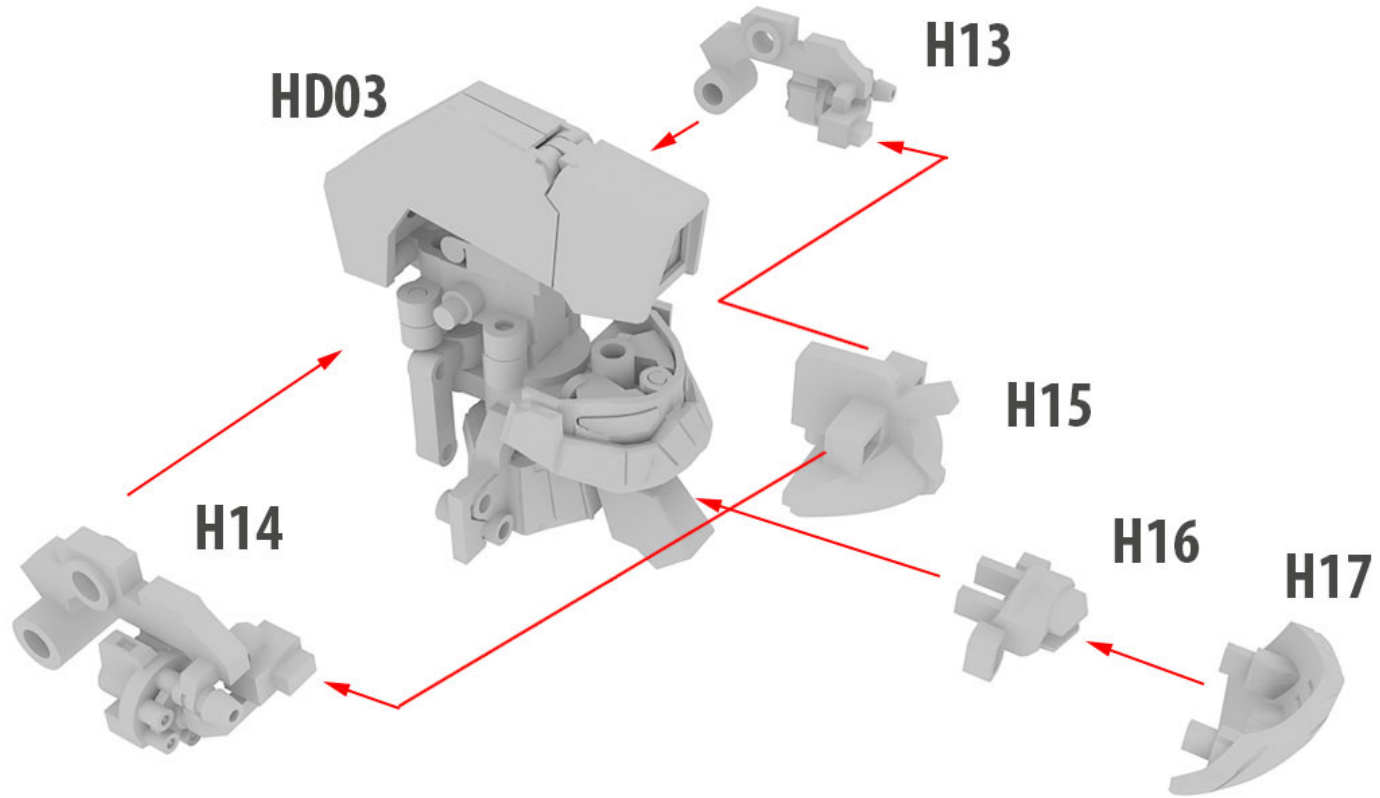


HD03

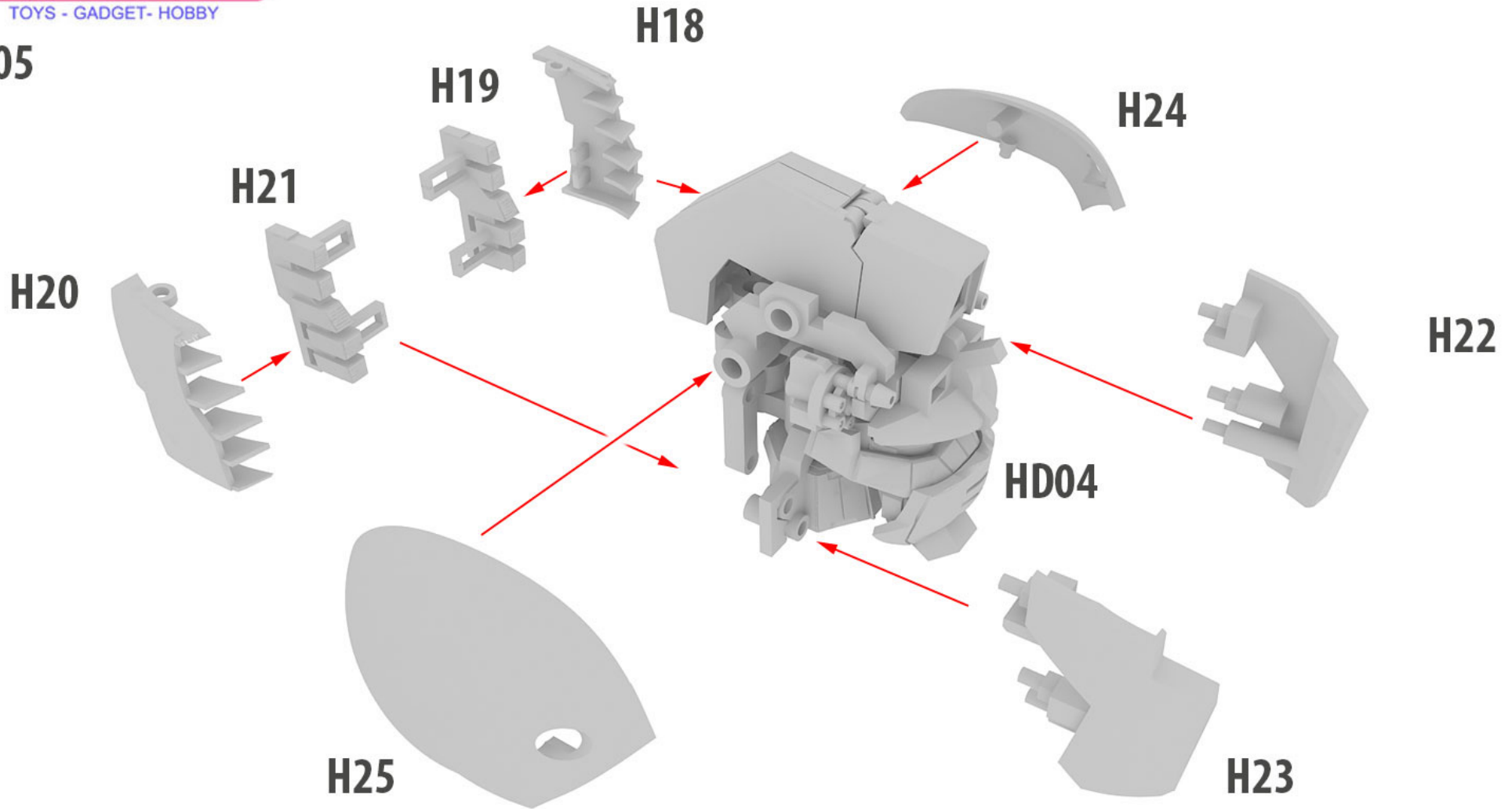


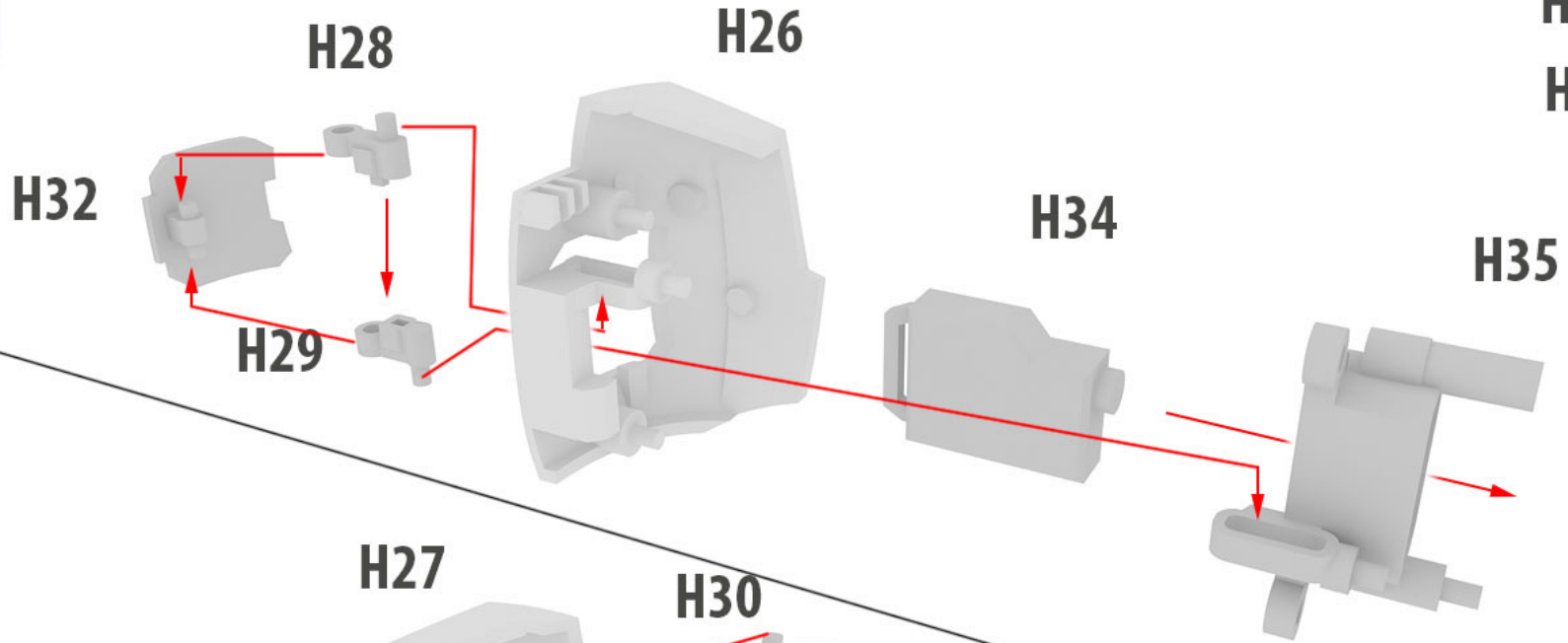
HEAD

HD04

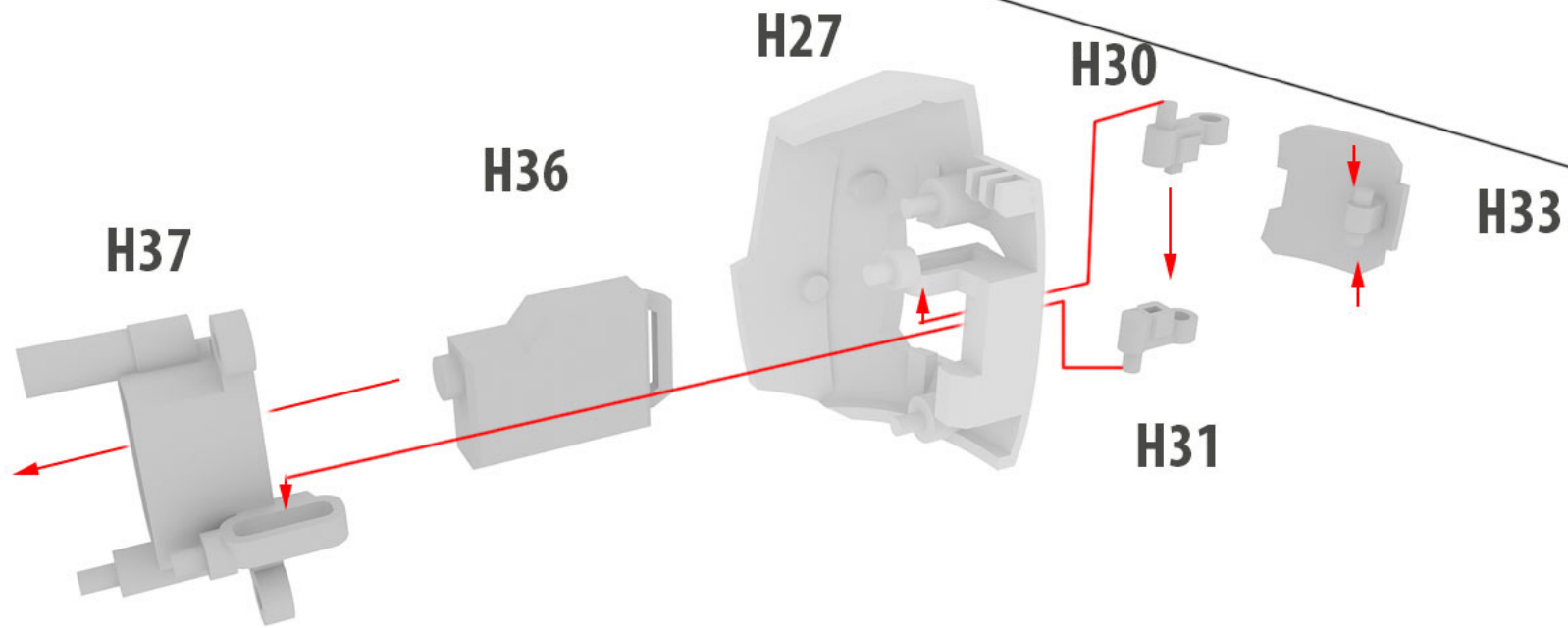


HD05





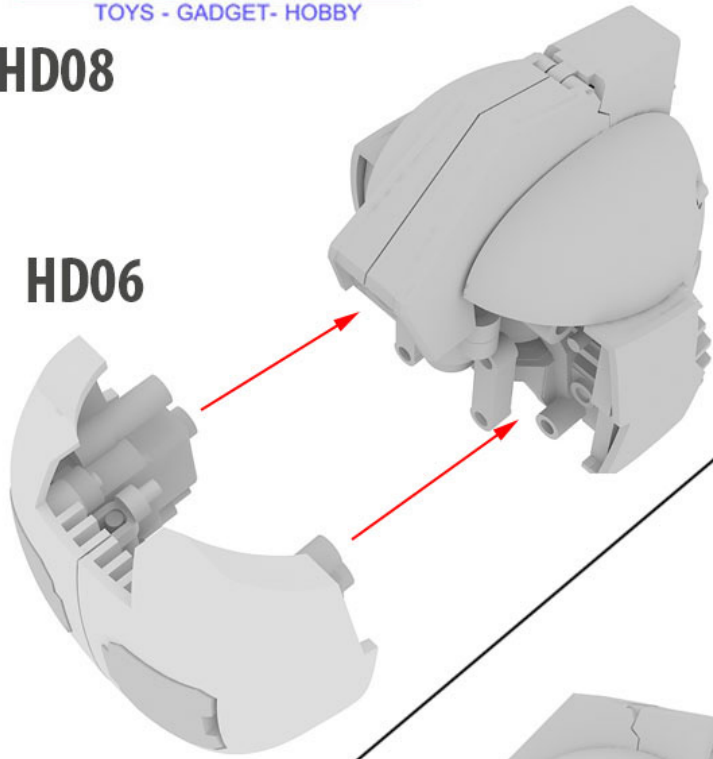
HD07



HD08

HD07

HD06

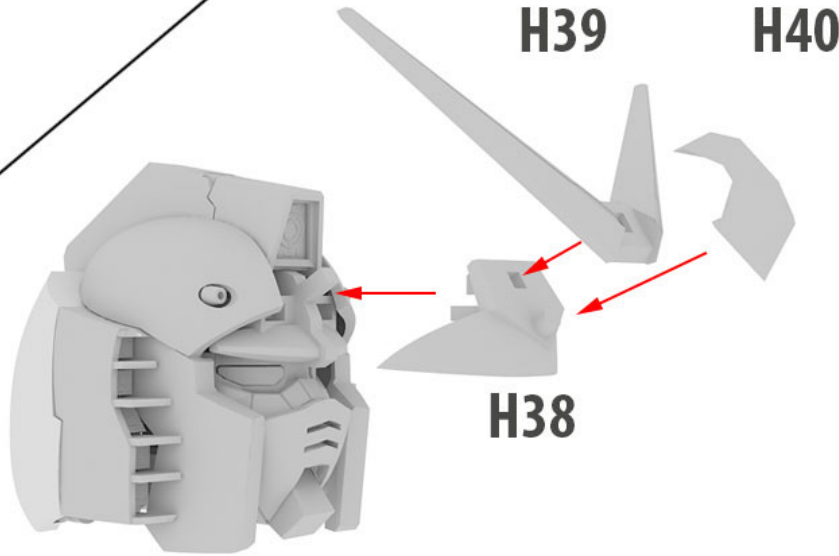


HD08

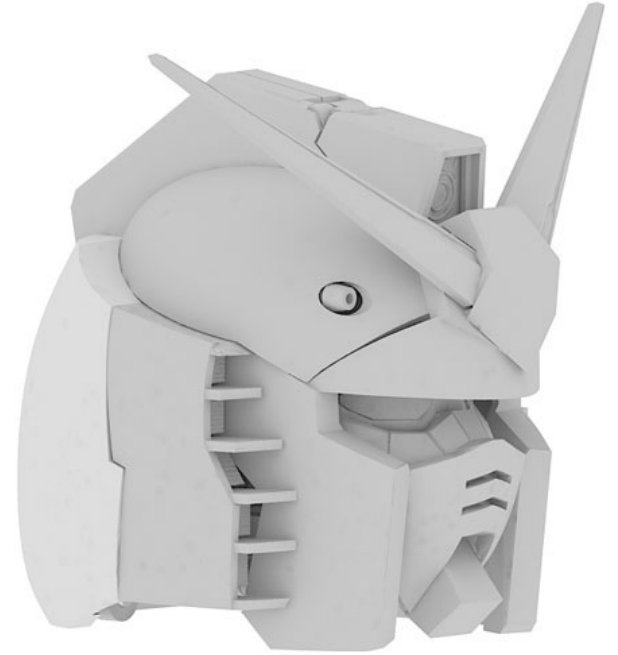
H39

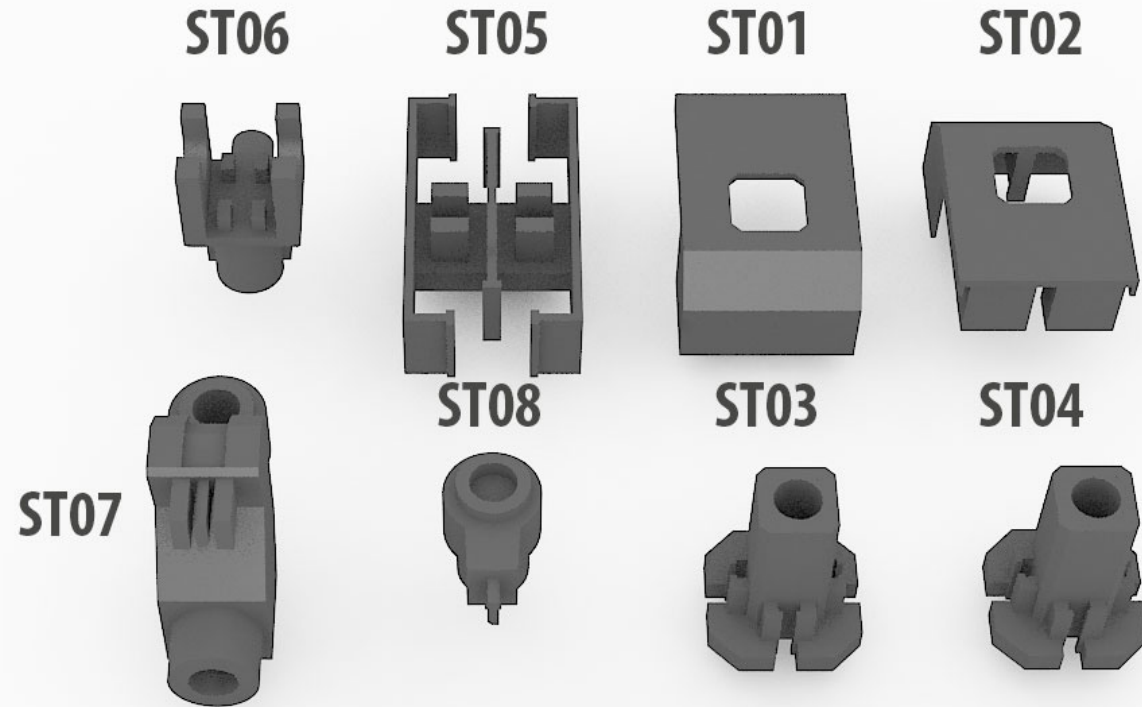
H40

H38



**HEAD
HD09**





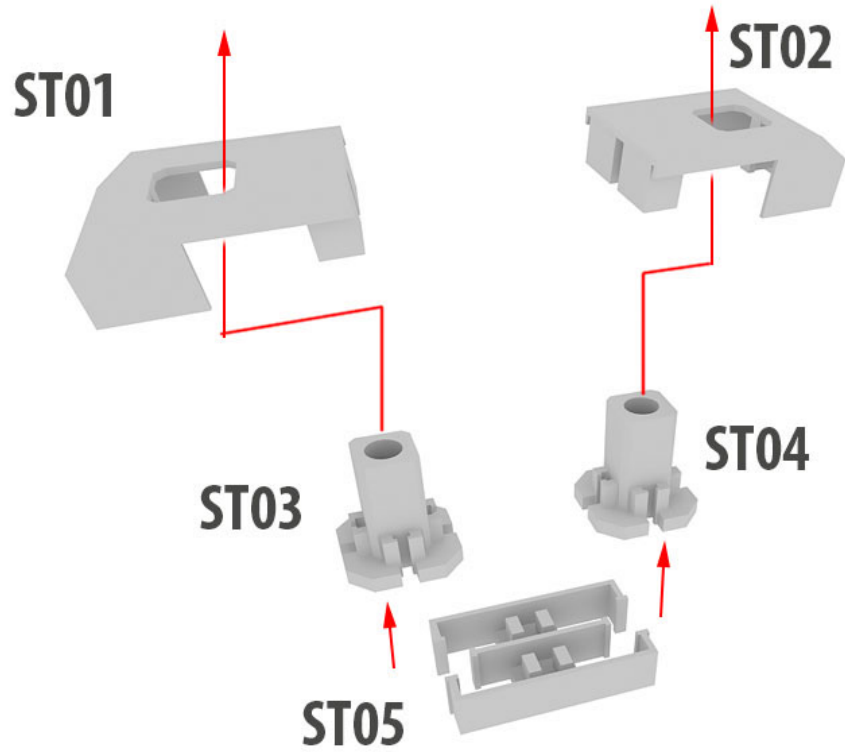
21.5mm Ø x 463mm

21.5mm Ø x 750mm

*** pvc or aluminium pipe is recommended**

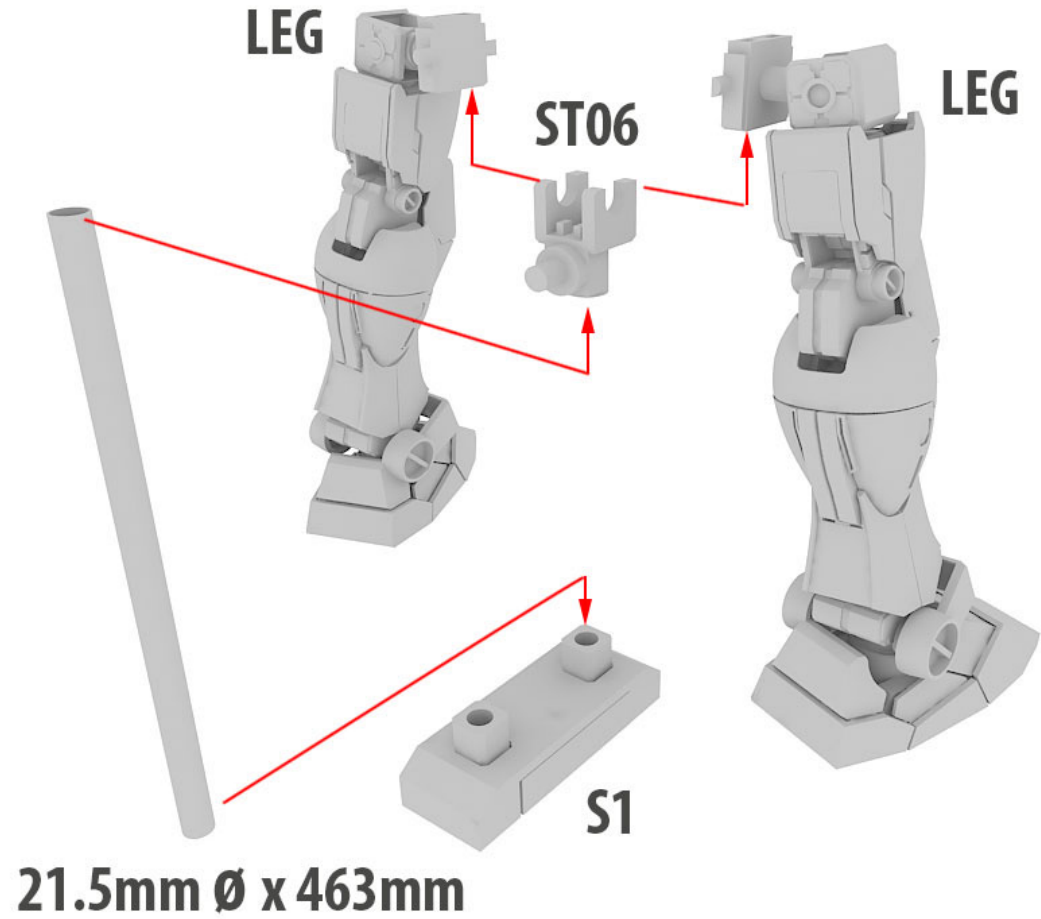
*** this model must install with the stand, it cannot stand alone without the stand.**

S1



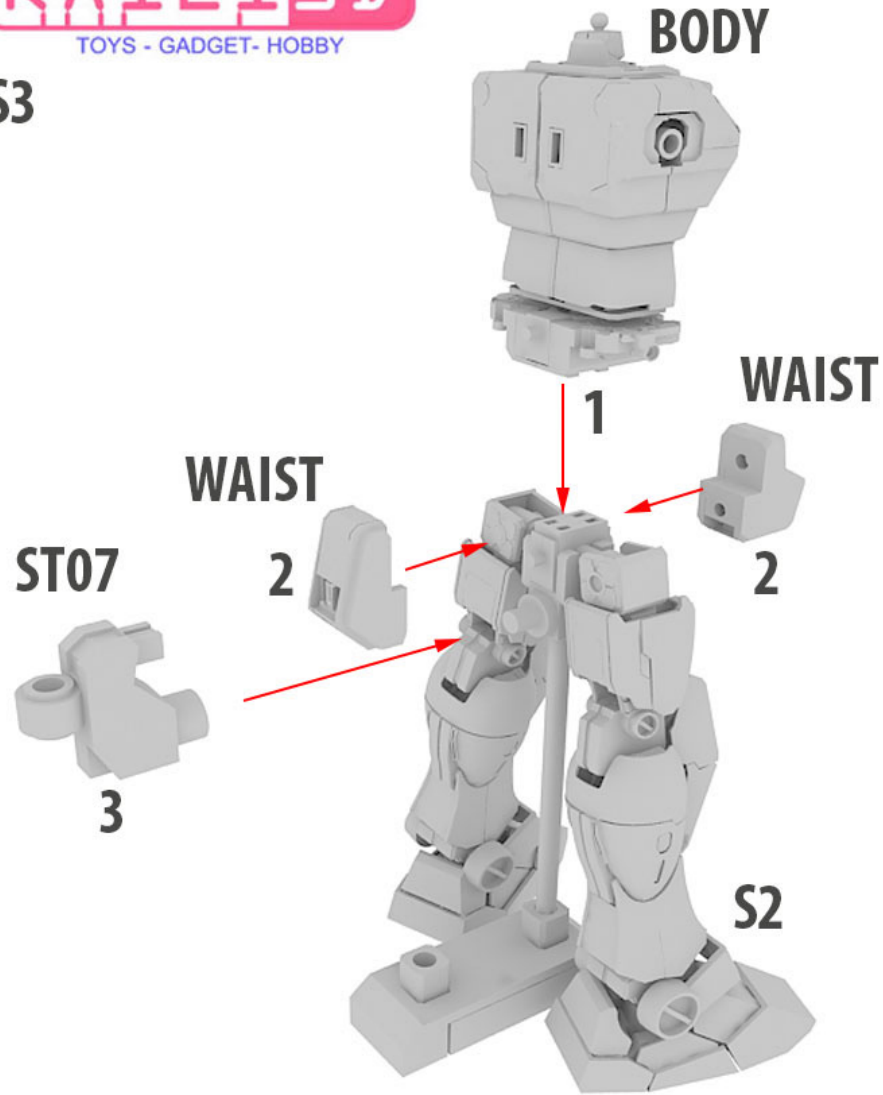
STAND

S2



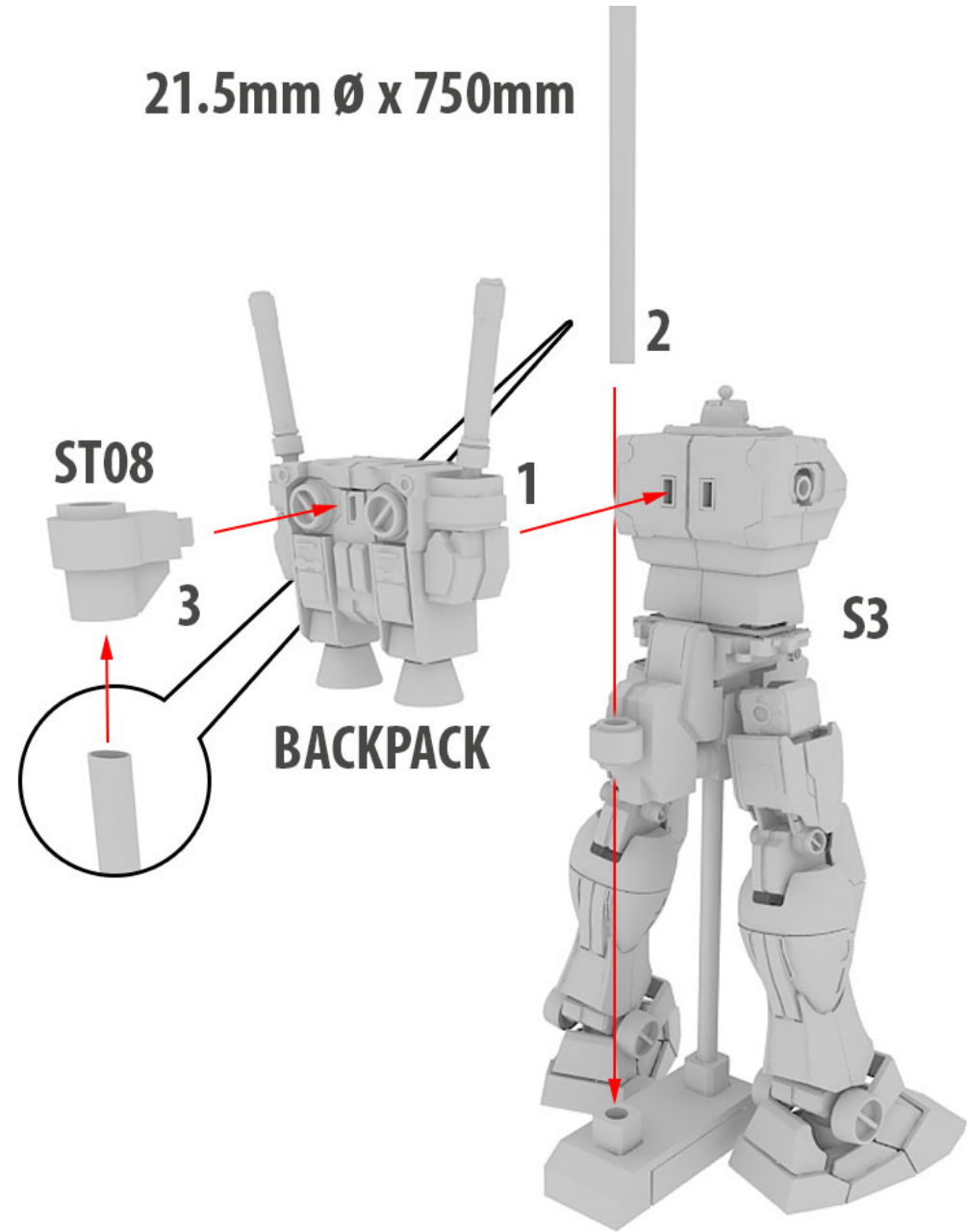
*** this model must install with the stand, it cannot stand alone without the stand.**

S3

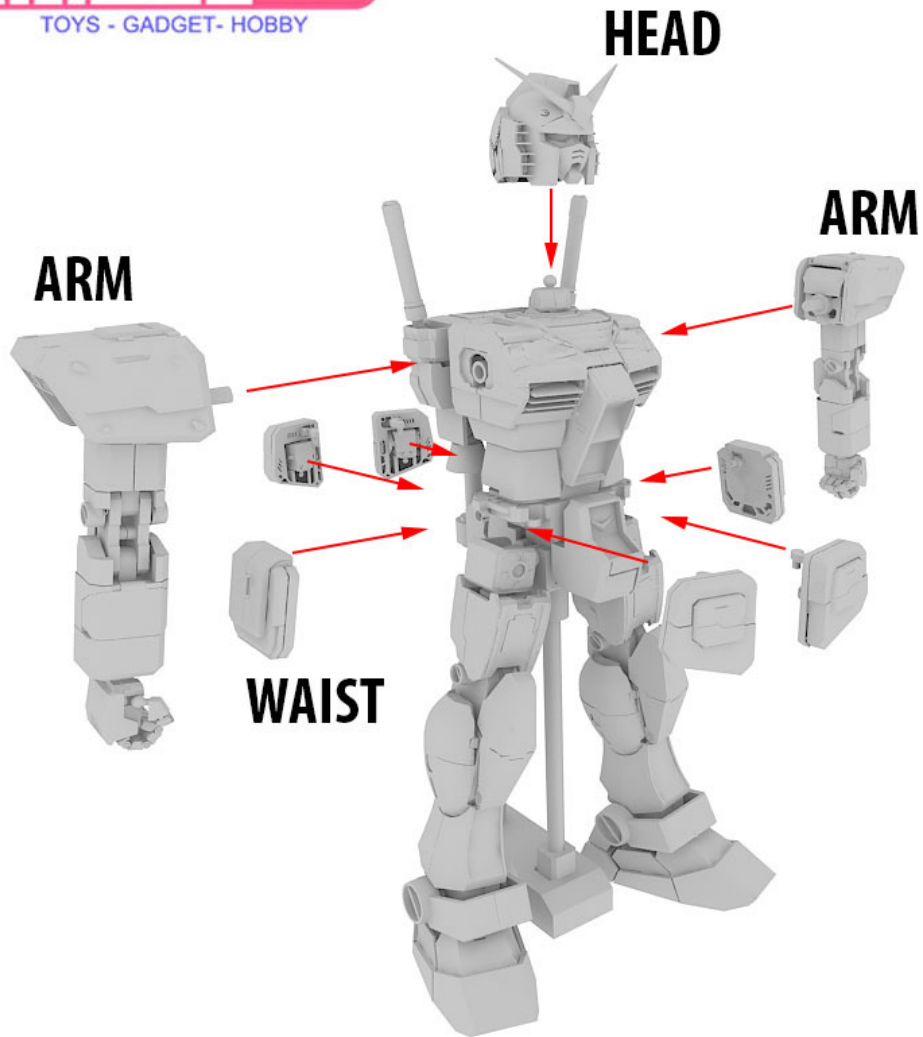


21.5mm Ø x 750mm

STAND



*** this model must install with the stand, it cannot stand alone without the stand.**



STAND

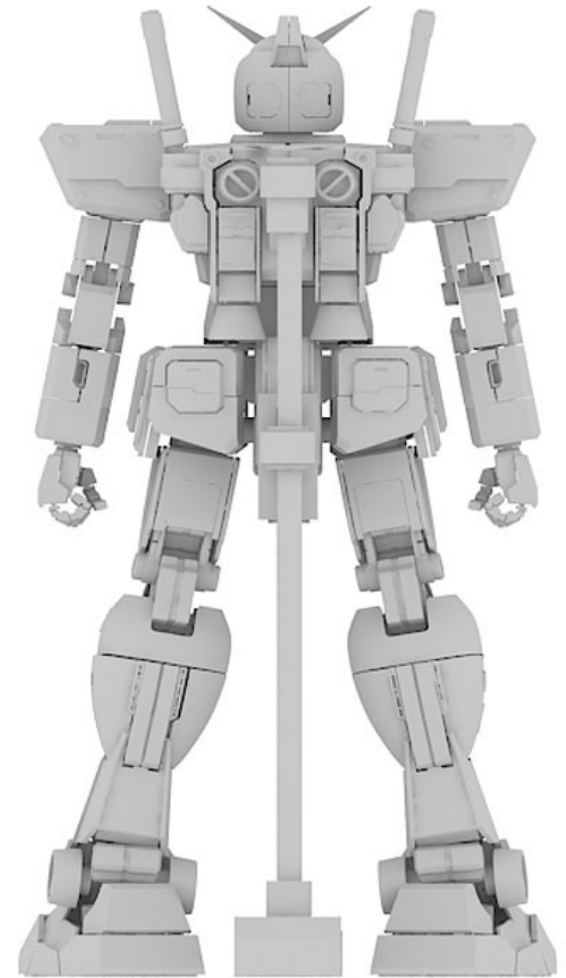
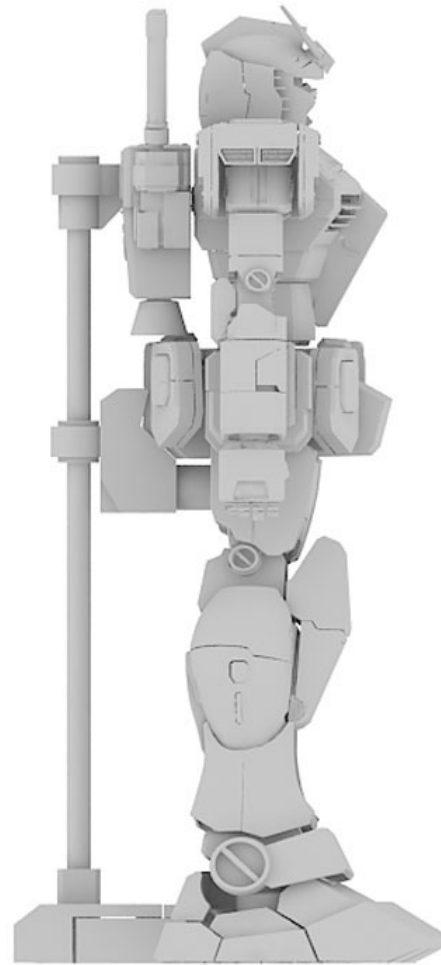
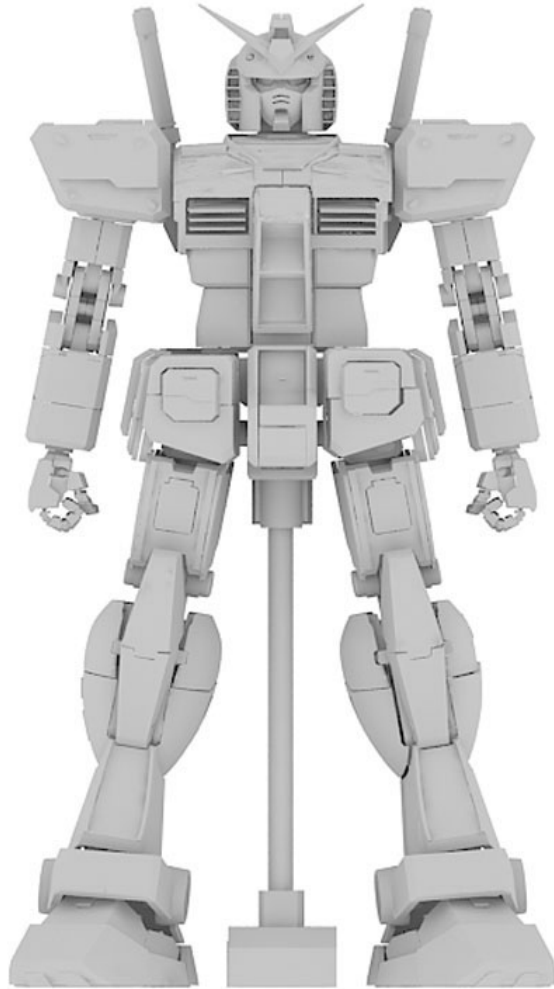


*** this model must install with the stand, it cannot stand alone without the stand.**



TOYS - GADGET - HOBBY

3D PRINT BIG SIZE GUNDAM RX78-2





TOYS - GADGET - HOBBY

3D PRINT BIG SIZE GUNDAM RX78-2

