

06
MS06 ZAKU-II

zhudtl Q群77780633



zhudtl Q1群777806339 Q2群744151231

DESIGN AND CREATED BY KAIEI3D 2023

2023 年由KAIEI3D 设计与建模

PLEASE RESPECT TO THE DESIGNER EFFORT DO NOT STEAL DESIGN

请尊重设计师，切勿偷盗别人的设计

WARNING : Pirate pictures must be investigated 盗图必究

3D PRINT 1:20

KAIEI3D

TOYS - GADGET - HOBBY

zhudt1 Q群77780633

MS06 ZAKU-II



90mm



428mm

MS06S ZAKU-II
RED COMET



DESIGN AND CREATED BY KAIEI3D 2023

2023 年由KAIEI3D 设计与建模

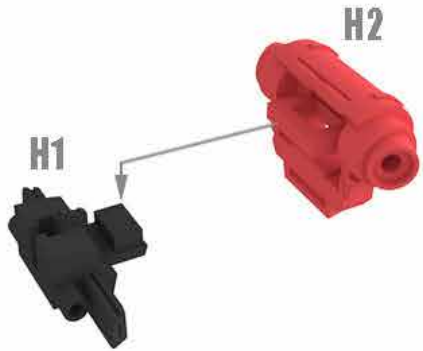
PLEASE RESPECT TO THE DESIGNER EFFORT DO NOT STEAL DESIGN

请尊重设计师，切勿偷盗别人的设计

WARNING : Pirate pictures must be investigated 盗图必究

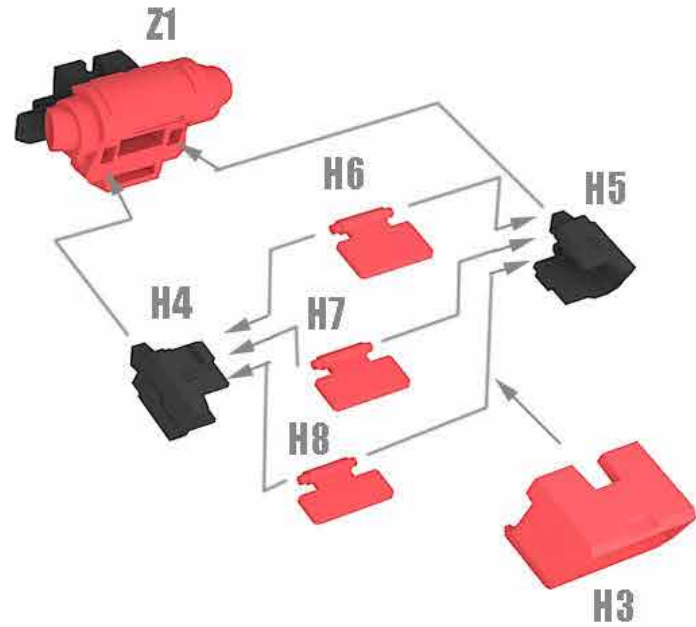
06 3D PRINT 1:20
MS06 ZAKU-II

Z1

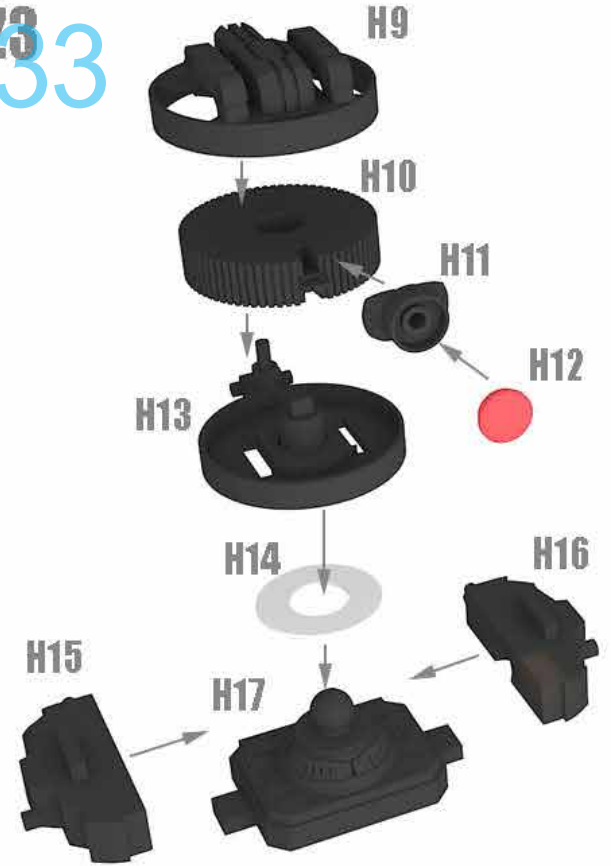


Z2

zhudt | Q群77780633



Z3



DESIGN AND CREATED BY KAIEI3D 2023

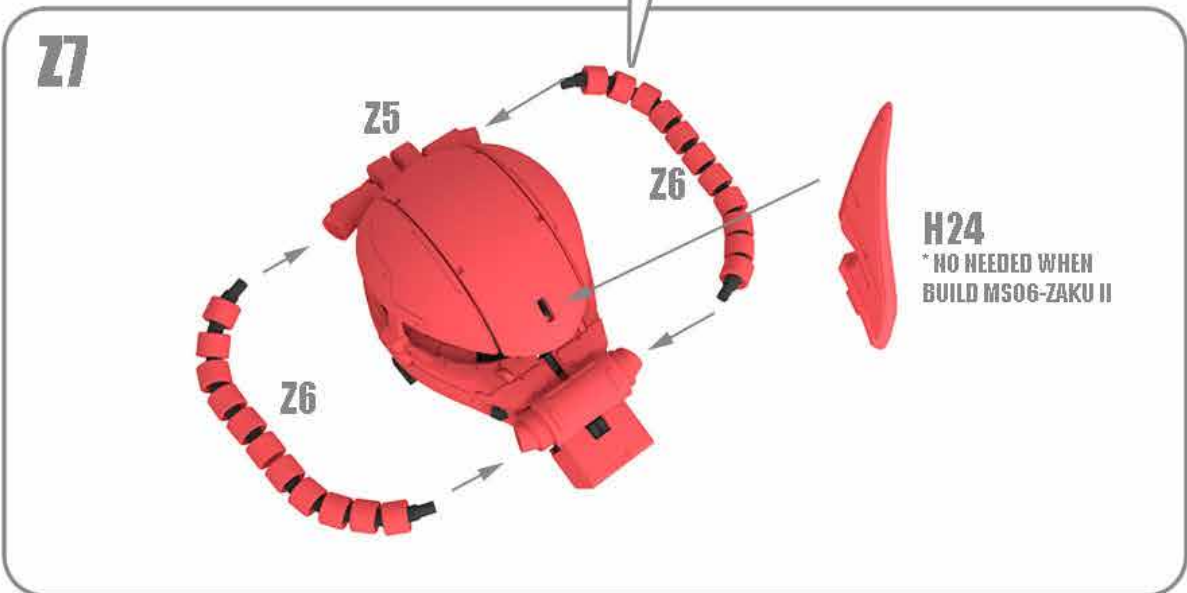
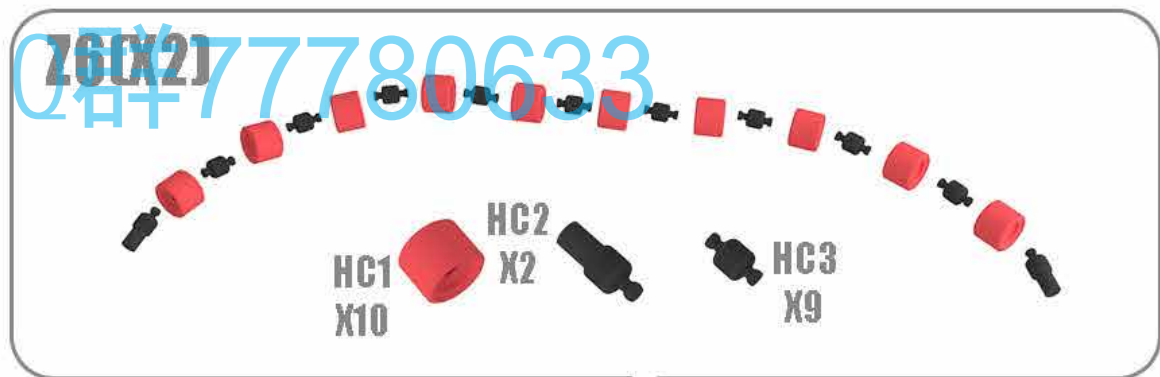
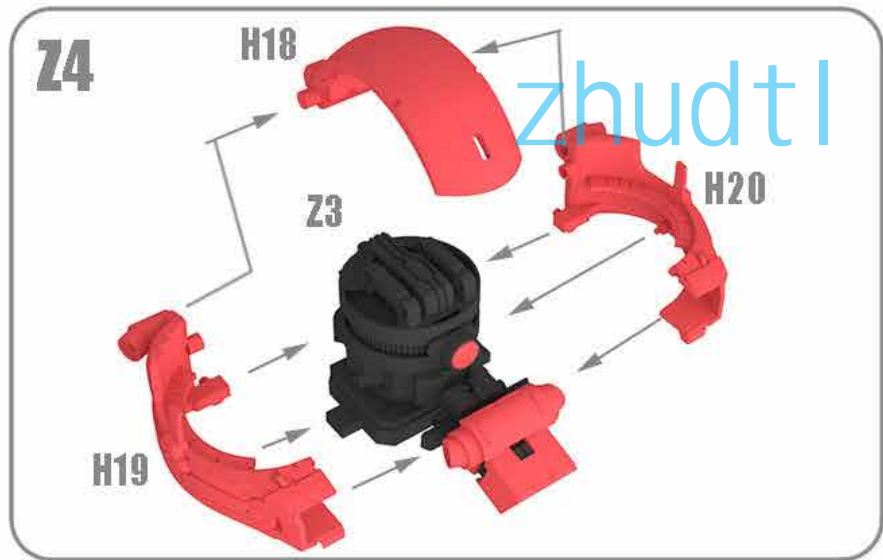
2023 年由KAIEI3D 设计与建模

PLEASE RESPECT TO THE DESIGNER EFFORT DO NOT STEAL DESIGN

请尊重设计师，切勿偷盗别人的设计

WARNING : Pirate pictures must be investigated 盗图必究





DESIGN AND CREATED BY KAIEI3D 2023
 2023 年由KAIEI3D 设计与建模
 PLEASE RESPECT TO THE DESIGNER EFFORT DO NOT STEAL DESIGN
 请尊重设计师，切勿偷盗别人的设计
 WARNING : Pirate pictures must be investigated 盗图必究

KAIEI3D
 TOYS - GADGET - HOBBY

06 3D PRINT 1:20
MS06 ZAKU-II

Z8

zhudtl

Z9 群77780633

BD 1

BD 2

BD 3

BD 4

zhudtl Q1群777806339 Q2群744151231

BD 6

BD 5

BD 7a or BD 7b
(Use super glue)

Z8

BD 7a

BD 7b

DESIGN AND CREATED BY KAIEI3D 2023

2023 年由KAIEI3D 设计与建模

PLEASE RESPECT TO THE DESIGNER EFFORT DO NOT STEAL DESIGN

请尊重设计师，切勿偷盗别人的设计

WARNING : Pirate pictures must be investigated 盗图必究



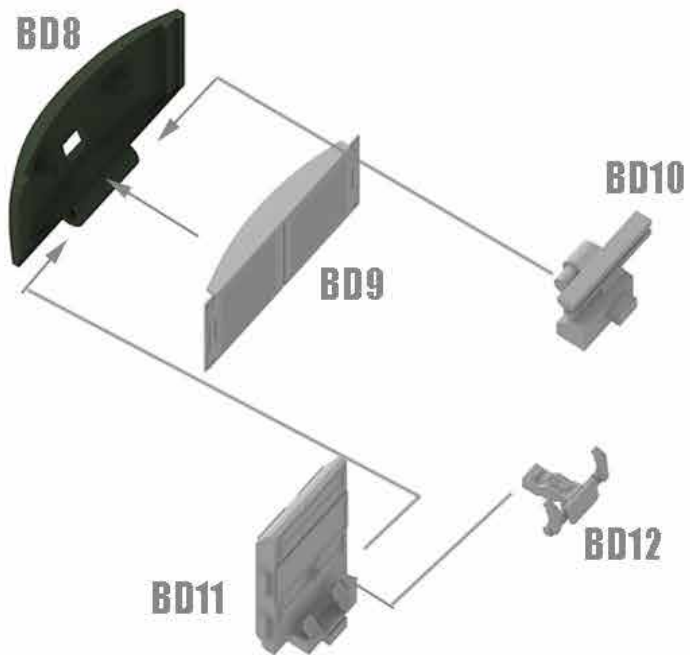
TOYS - GADGET - HOBBY



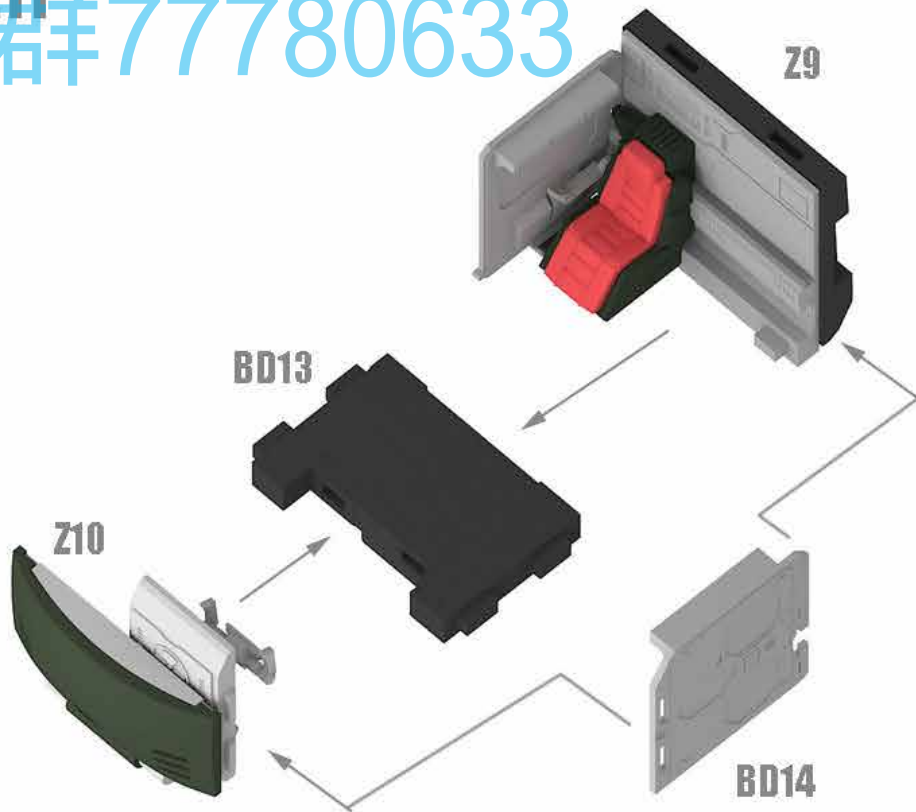
3D PRINT 1:20

Z10

zhudt1 0群77780633



Z11



DESIGN AND CREATED BY KAIEI3D 2023

2023 年由KAIEI3D 设计与建模

PLEASE RESPECT TO THE DESIGNER EFFORT DO NOT STEAL DESIGN

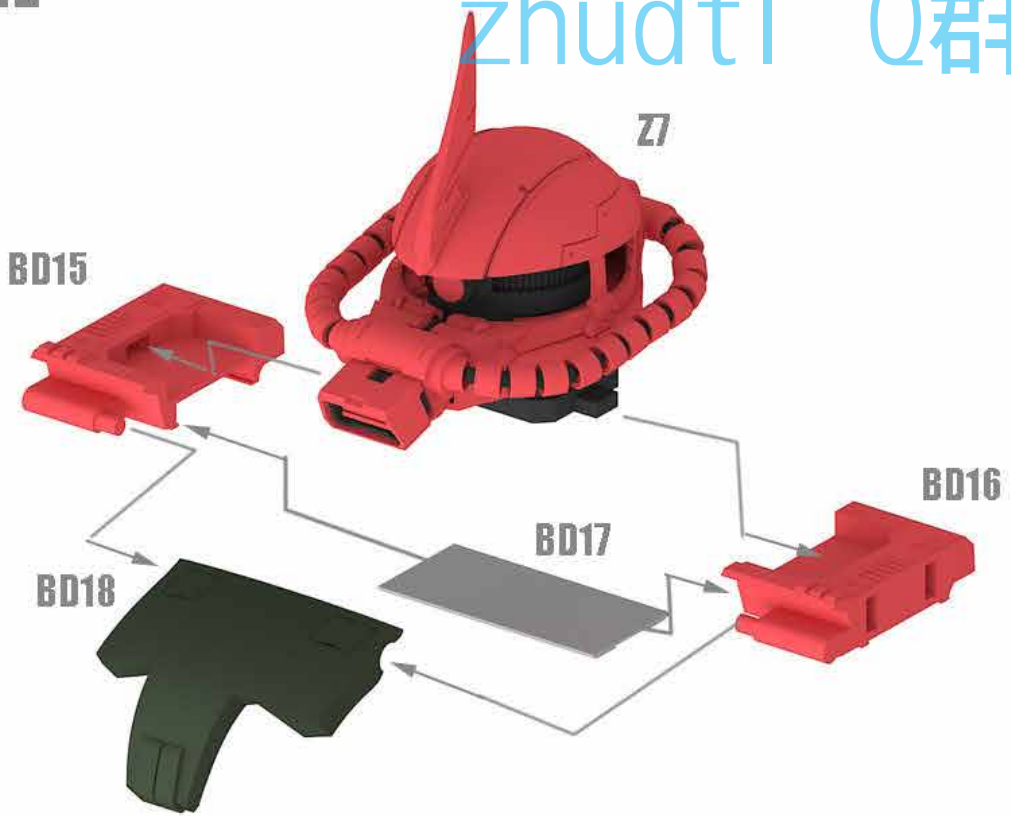
请尊重设计师，切勿偷盗别人的设计

WARNING : Pirate pictures must be investigated 盗图必究



Z12

zhudt1 Q群77780633



Z13



DESIGN AND CREATED BY KAIEI3D 2023

2023 年由KAIEI3D 设计与建模

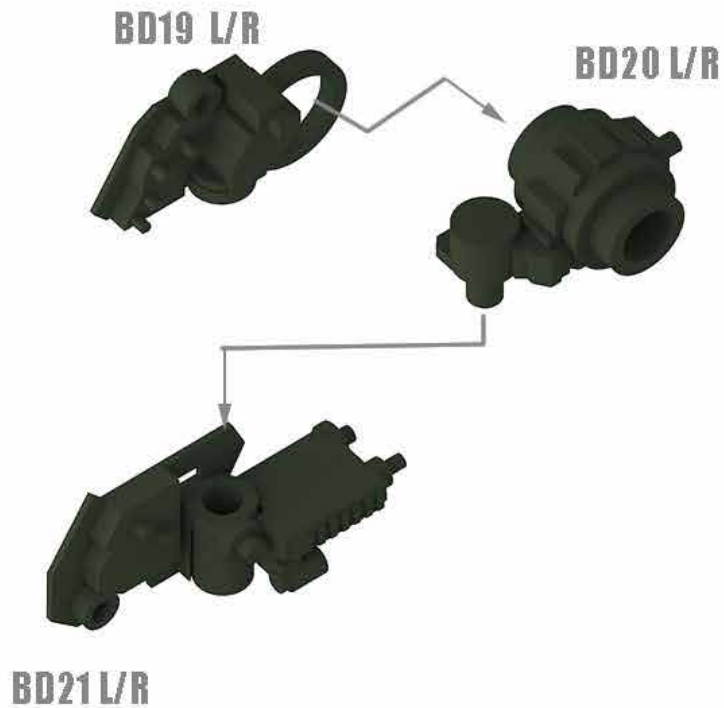
PLEASE RESPECT TO THE DESIGNER EFFORT DO NOT STEAL DESIGN

请尊重设计师，切勿偷盗别人的设计

WARNING : Pirate pictures must be investigated 盗图必究

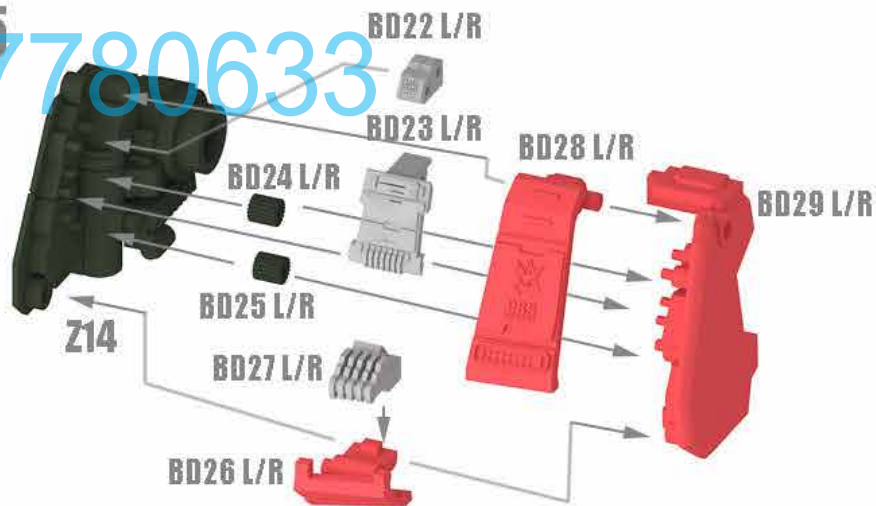


714



zhudt1 Q群77780633

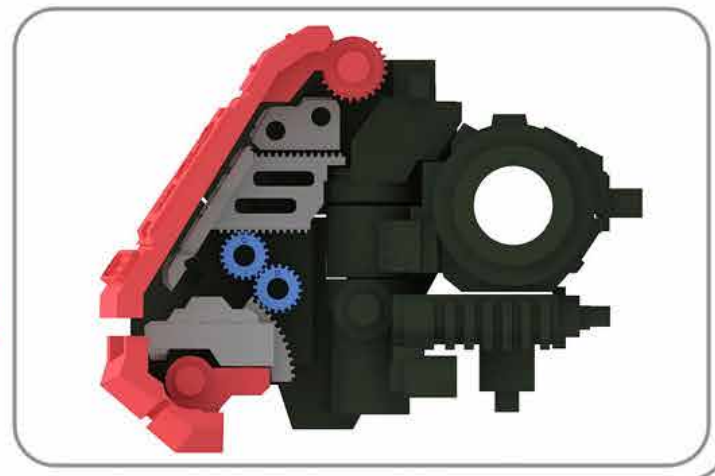
715



BD28R A



BD28R B



DESIGN AND CREATED BY KAIEI3D 2023

2023 年由KAIEI3D 设计与建模

PLEASE RESPECT TO THE DESIGNER EFFORT DO NOT STEAL DESIGN

请尊重设计师，切勿偷盗别人的设计

WARNING : Pirate pictures must be investigated 盗图必究

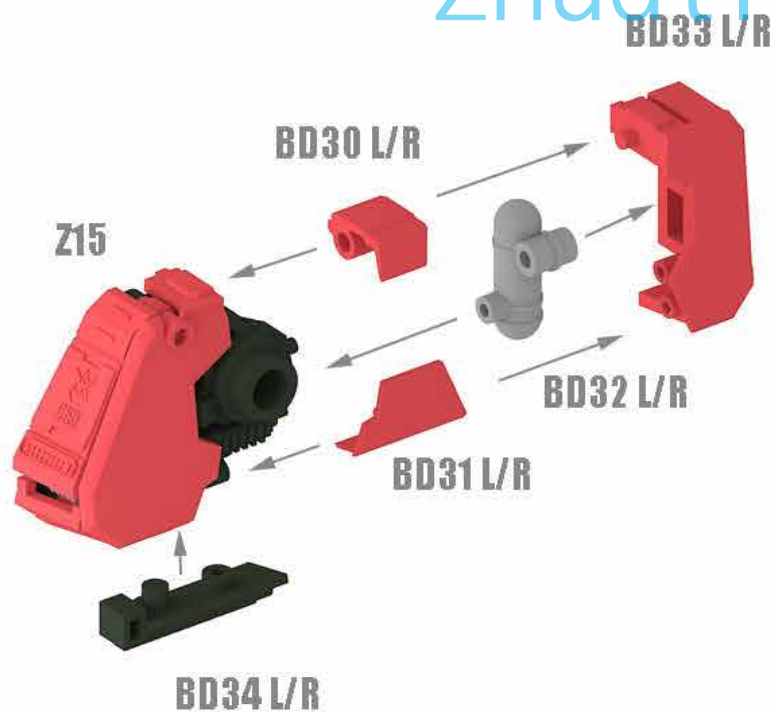


TOYS - GADGET - HOBBY



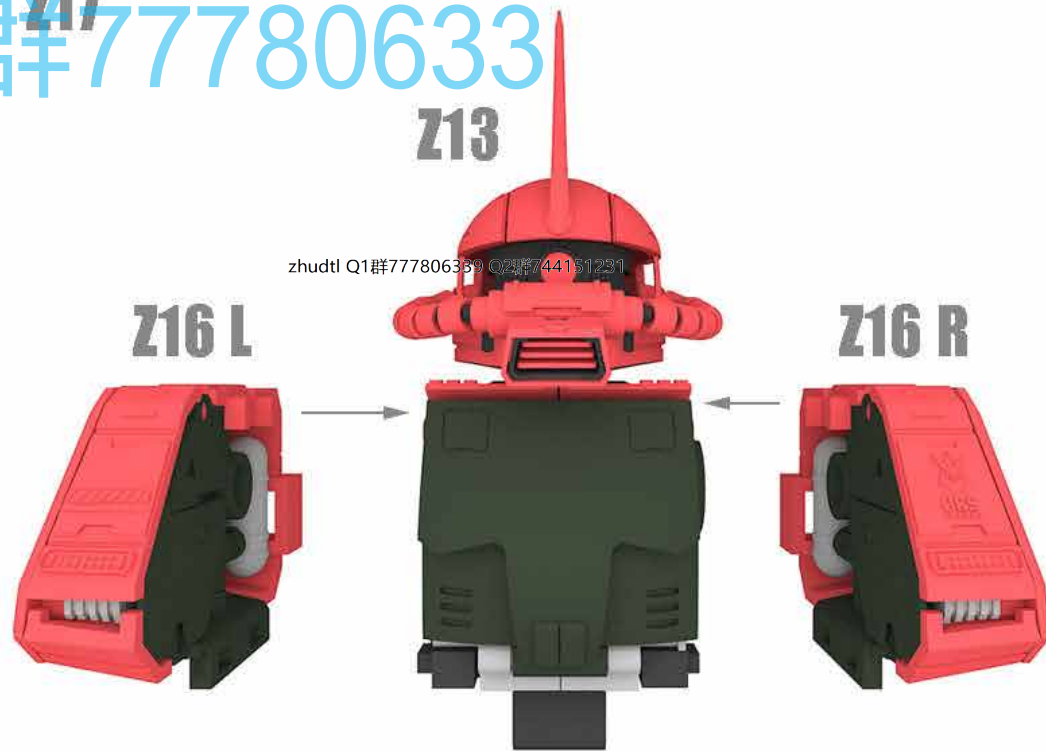
3D PRINT 1:20

Z16



Z17

zhudtl Q群77780633



DESIGN AND CREATED BY KAIEI3D 2023

2023 年由KAIEI3D 设计与建模

PLEASE RESPECT TO THE DESIGNER EFFORT DO NOT STEAL DESIGN

请尊重设计师，切勿偷盗别人的设计

WARNING : Pirate pictures must be investigated 盗图必究

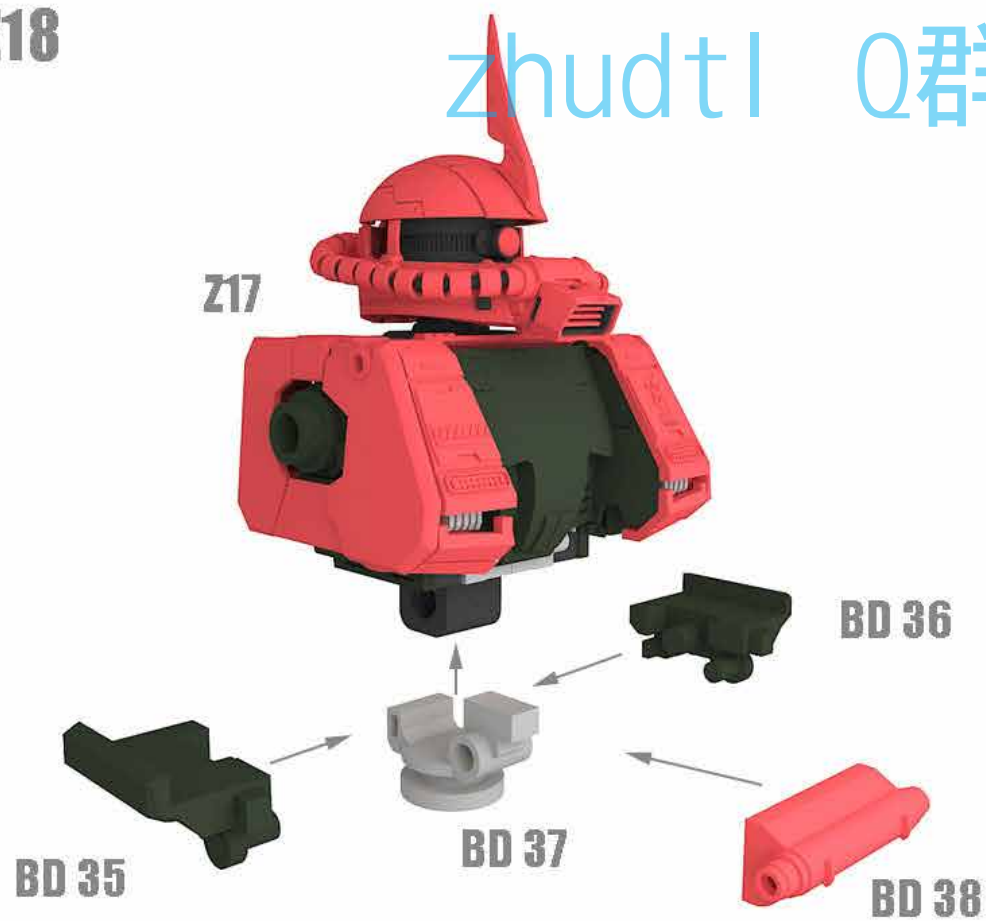
KAIEI3D

TOYS - GADGET - HOBBY

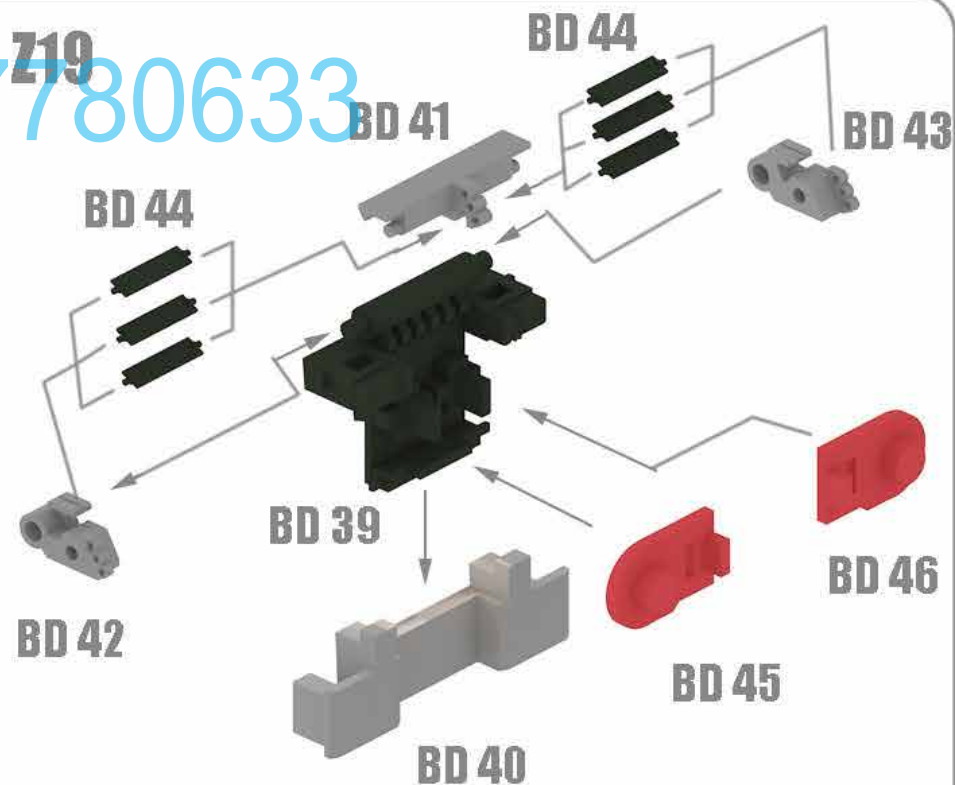
06 3D PRINT 1:20
MS06 ZAKU-II

Z18

zhudt1 Q群77780633



Z19



DESIGN AND CREATED BY KAIEI3D 2023

2023 年由KAIEI3D 设计与建模

PLEASE RESPECT TO THE DESIGNER EFFORT DO NOT STEAL DESIGN

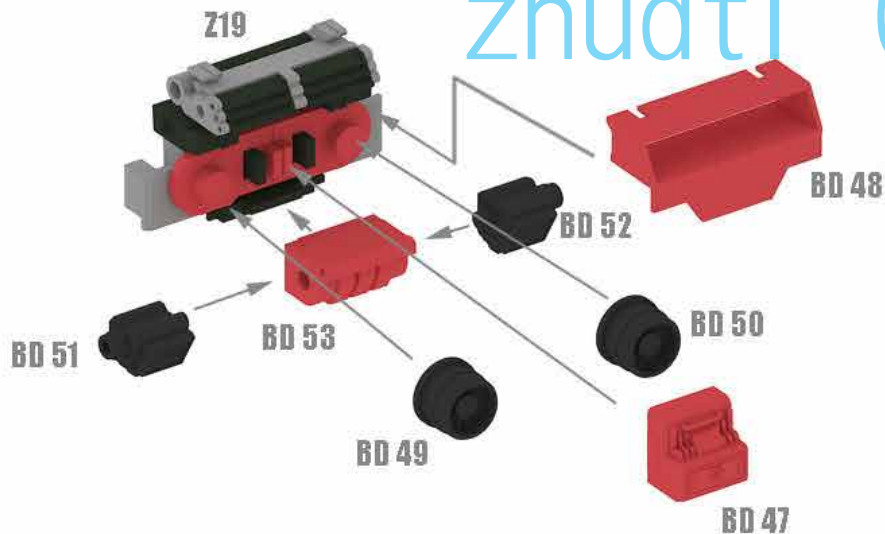
请尊重设计师，切勿偷盗别人的设计

WARNING : Pirate pictures must be investigated 盗图必究

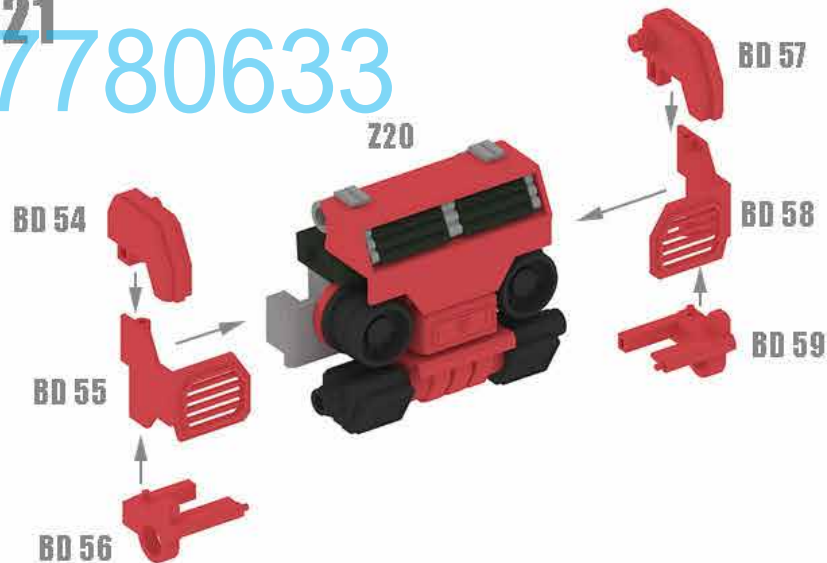
KAIEI3D
TOYS - GADGET - HOBBY

06 3D PRINT 1:20
MS06 ZAKU-II

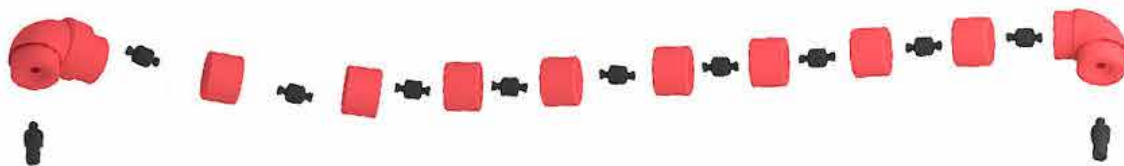
Z20



Z21



Z22(X2)



HC4 L/R



HC5 L/R



HC6 X8



HC3 X9



HC2 X2



DESIGN AND CREATED BY KAIEI3D 2023

2023 年由KAIEI3D 设计与建模

PLEASE RESPECT TO THE DESIGNER EFFORT DO NOT STEAL DESIGN

请尊重设计师，切勿偷盗别人的设计

WARNING : Pirate pictures must be investigated 盗图必究

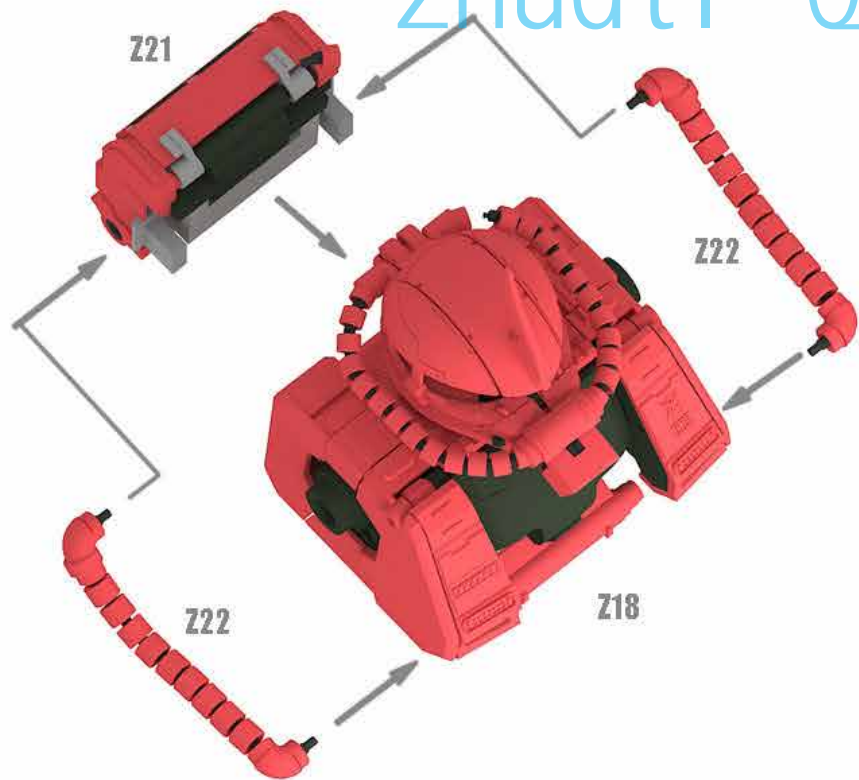


TOYS - GADGET - HOBBY



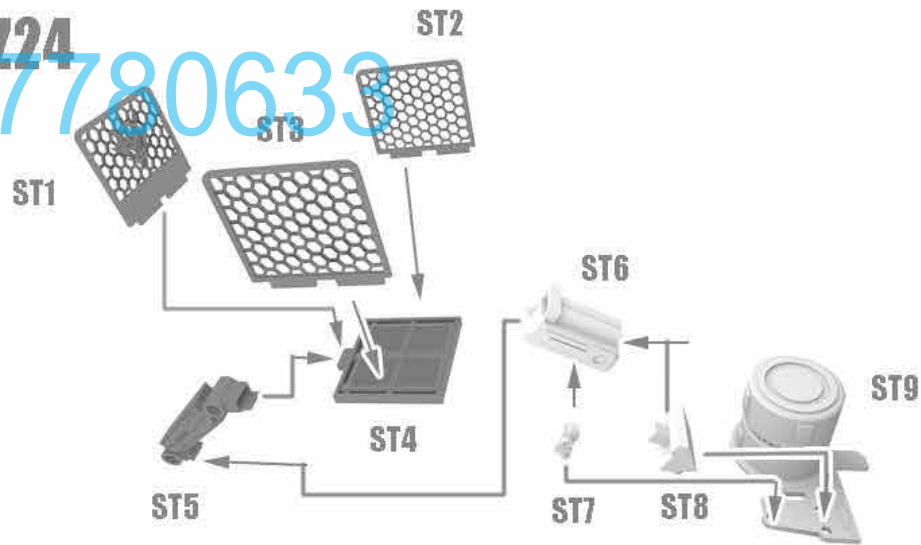
3D PRINT 1:20

Z23

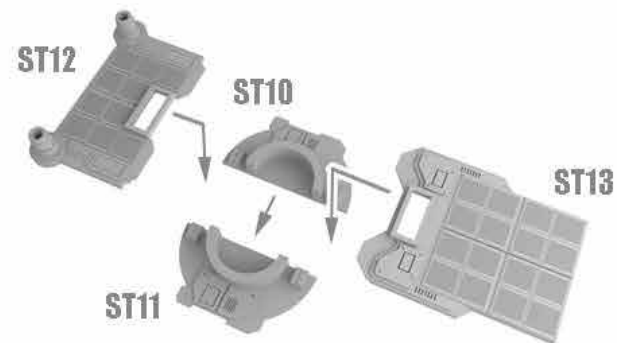


zhudt1 Q群77780633

Z24



Z25



DESIGN AND CREATED BY KAIEI3D 2023

2023 年由KAIEI3D 设计与建模

PLEASE RESPECT TO THE DESIGNER EFFORT DO NOT STEAL DESIGN

请尊重设计师，切勿偷盗别人的设计

WARNING : Pirate pictures must be investigated 盗图必究



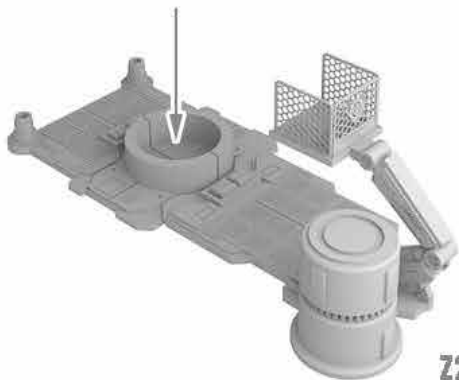
Z26

zhudt1 Q群77780633

Z23



Z25



Z24

180 hour +/- printing
(calculate with 60mm/s
printing speed)

2950g +/- PLA using
121 STL file



PILOT



DESIGN AND CREATED BY KAIEI3D 2023

2023 年由KAIEI3D 设计与建模

PLEASE RESPECT TO THE DESIGNER EFFORT DO NOT STEAL DESIGN

请尊重设计师，切勿偷盗别人的设计

WARNING : Pirate pictures must be investigated 盗图必究



TOYS - GADGET - HOBBY



3D PRINT 1:20

06 3D PRINT 1:20

MS06 ZAKU-II

zhudti: 0群77780633

KAIEI3D
TOYS - GADGET - HOBBY

FULL BODY WILL BE CONTINUE

- For space limited or can't wait until full body release can choose this upper body bust version.

- The other balance part will be release in future, Your can continue build to 90cm+ height full body.

全身将继续

- 对于空间有限或等不及全身释放的朋友可以选择这款半身像版

- 其他部分将在未来发布, 您可以继续增高至 **90** 厘米以上的全身高度。

DESIGN AND CREATED BY KAIEI3D 2023

2023 年由KAIEI3D 设计与建模

PLEASE RESPECT TO THE DESIGNER EFFORT DO NOT STEAL DESIGN

请尊重设计师, 切勿偷盗别人的设计

WARNING : Pirate pictures must be investigated 盗图必究

