



Batwing

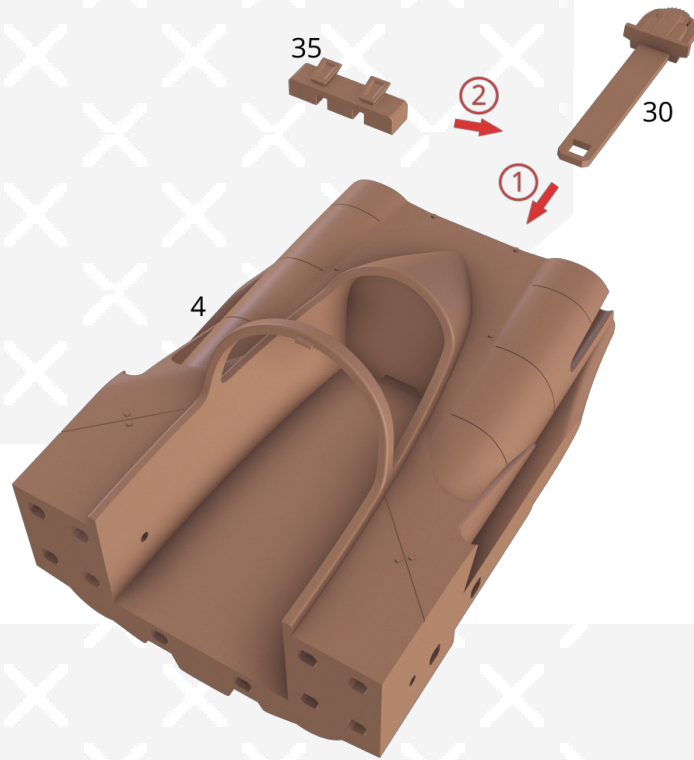
1989

3D printing model

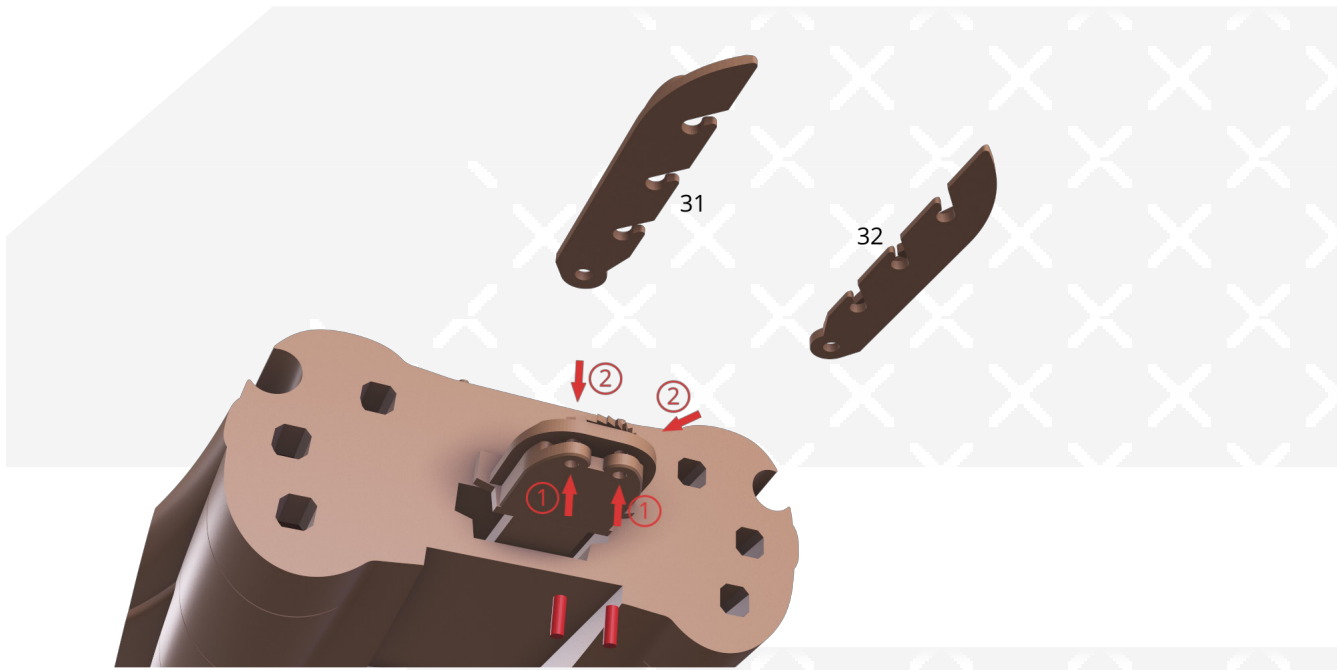
Assembly manual  
for **FFF/FDM**

Gamebody

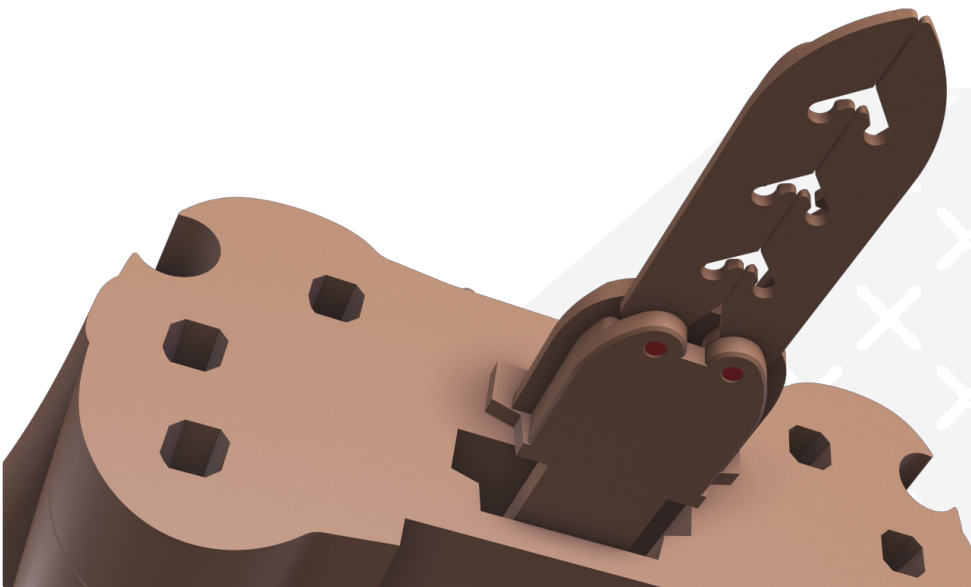
1



2



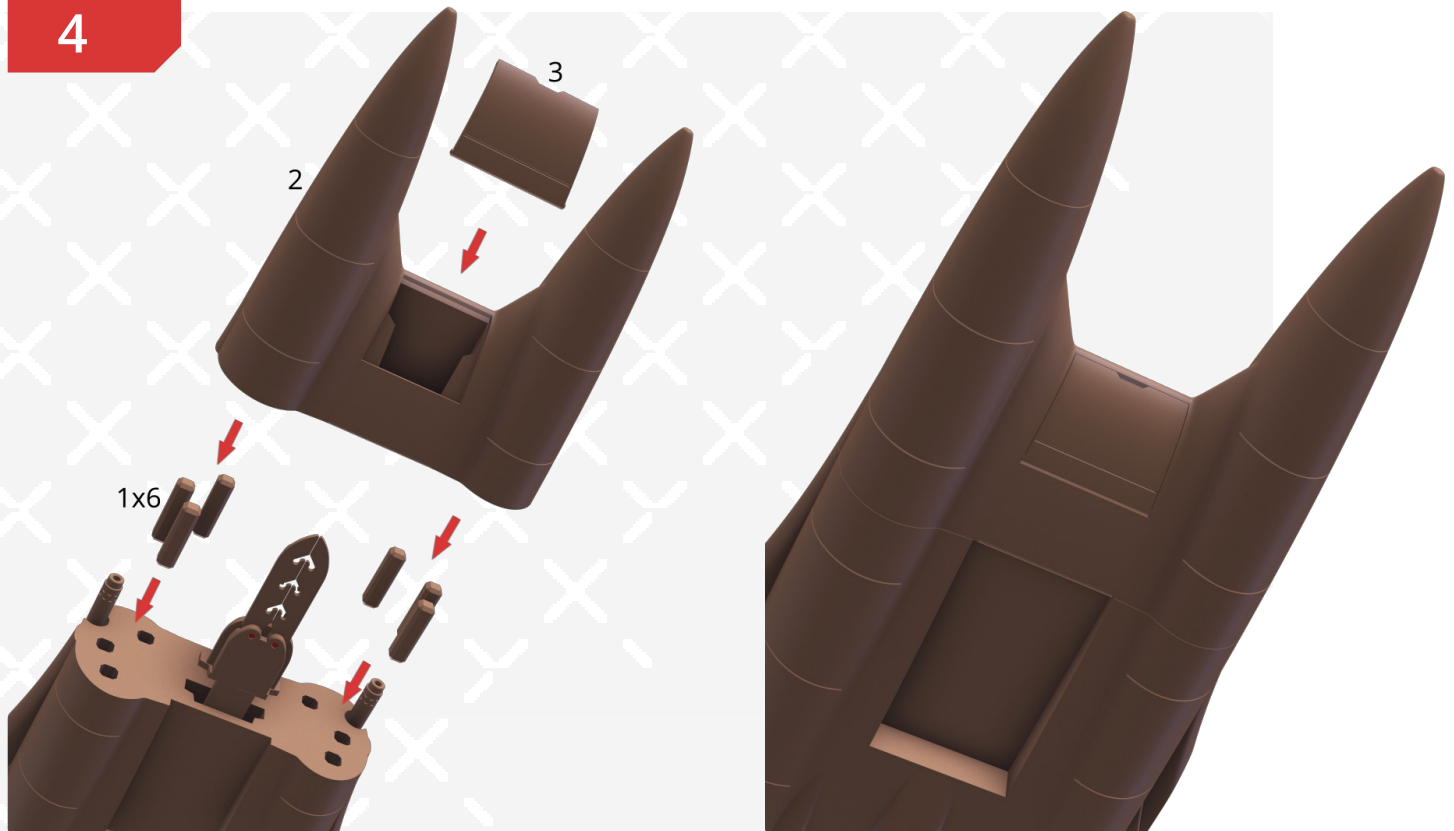
The assembly of the FDM version requires pins made out of short pieces of regular 1.75 mm filament.



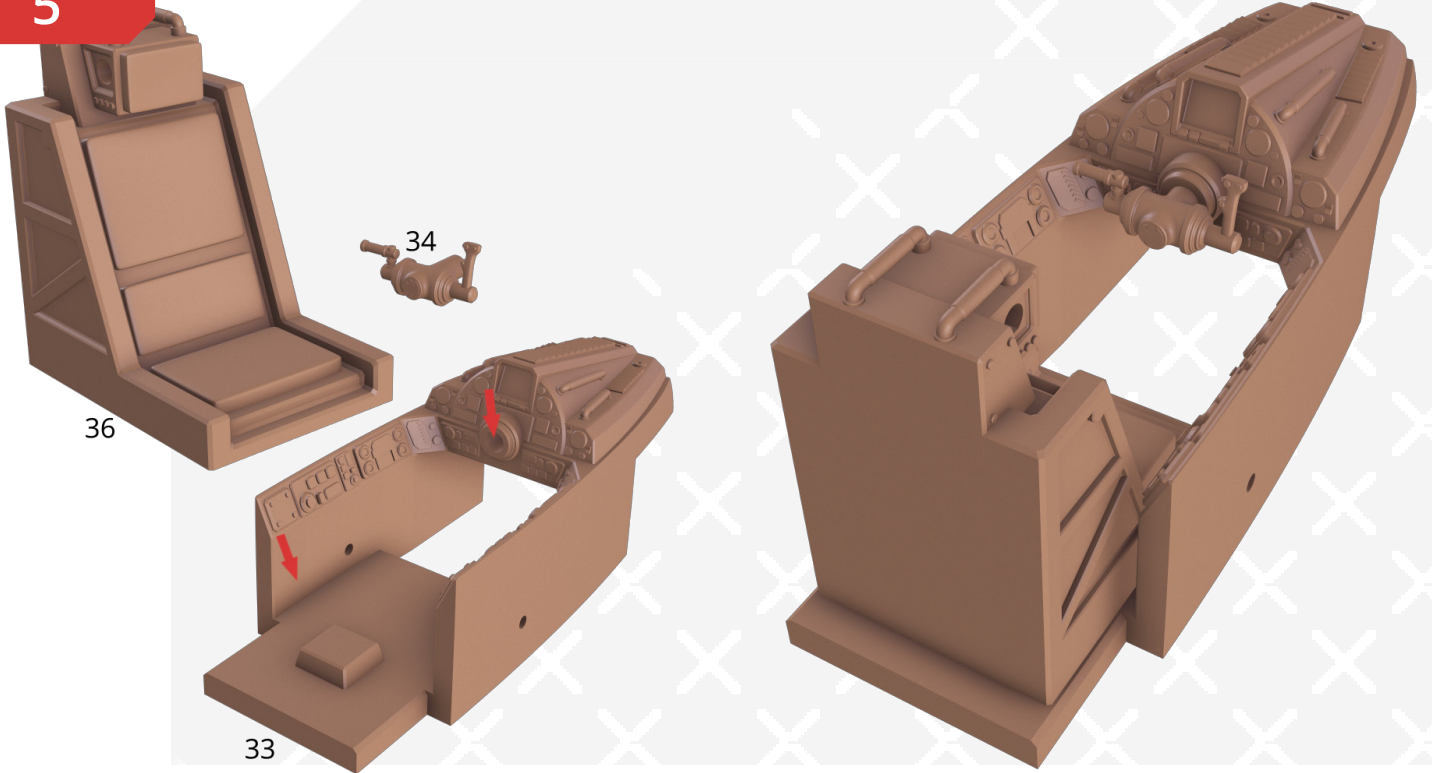
3



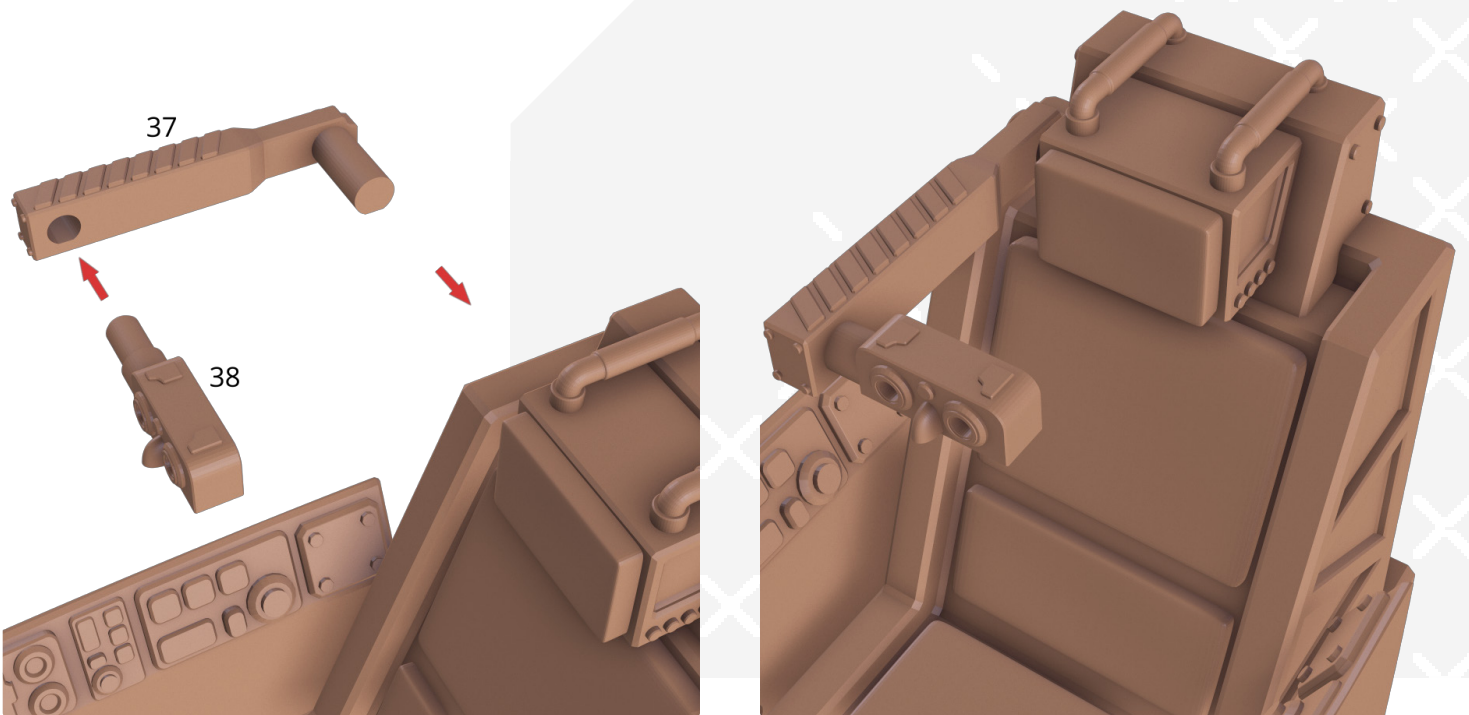
4



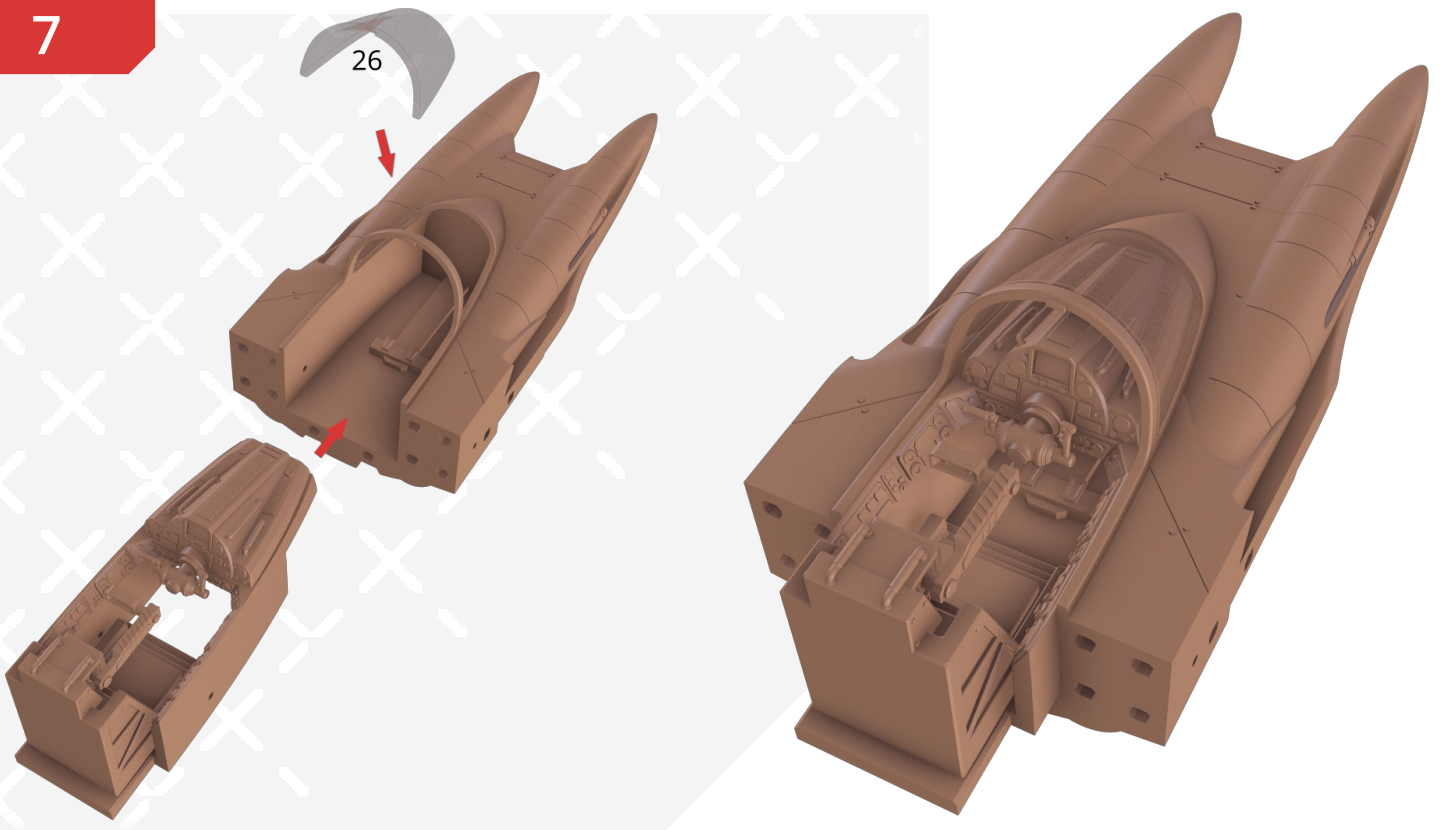
5



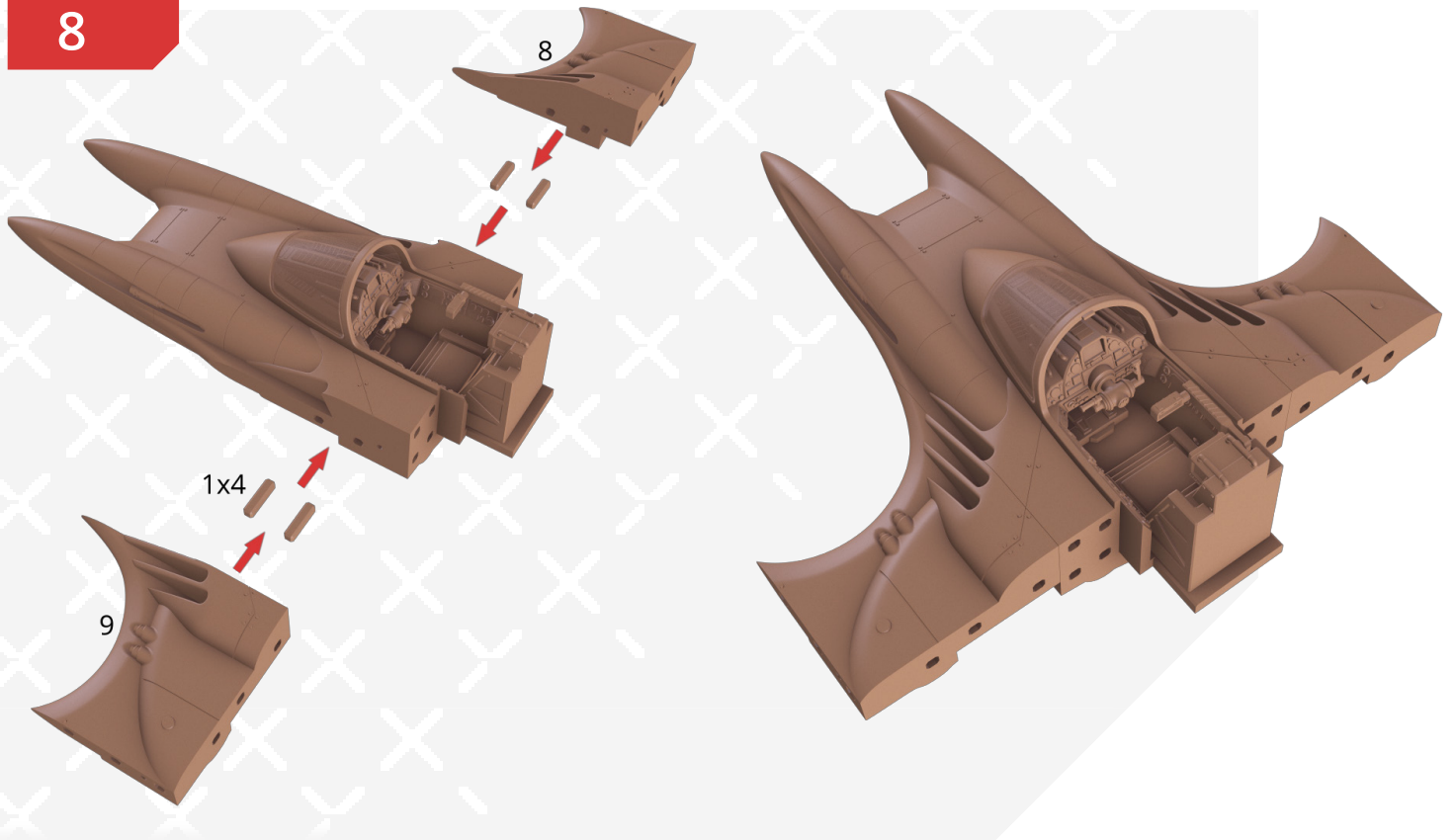
6



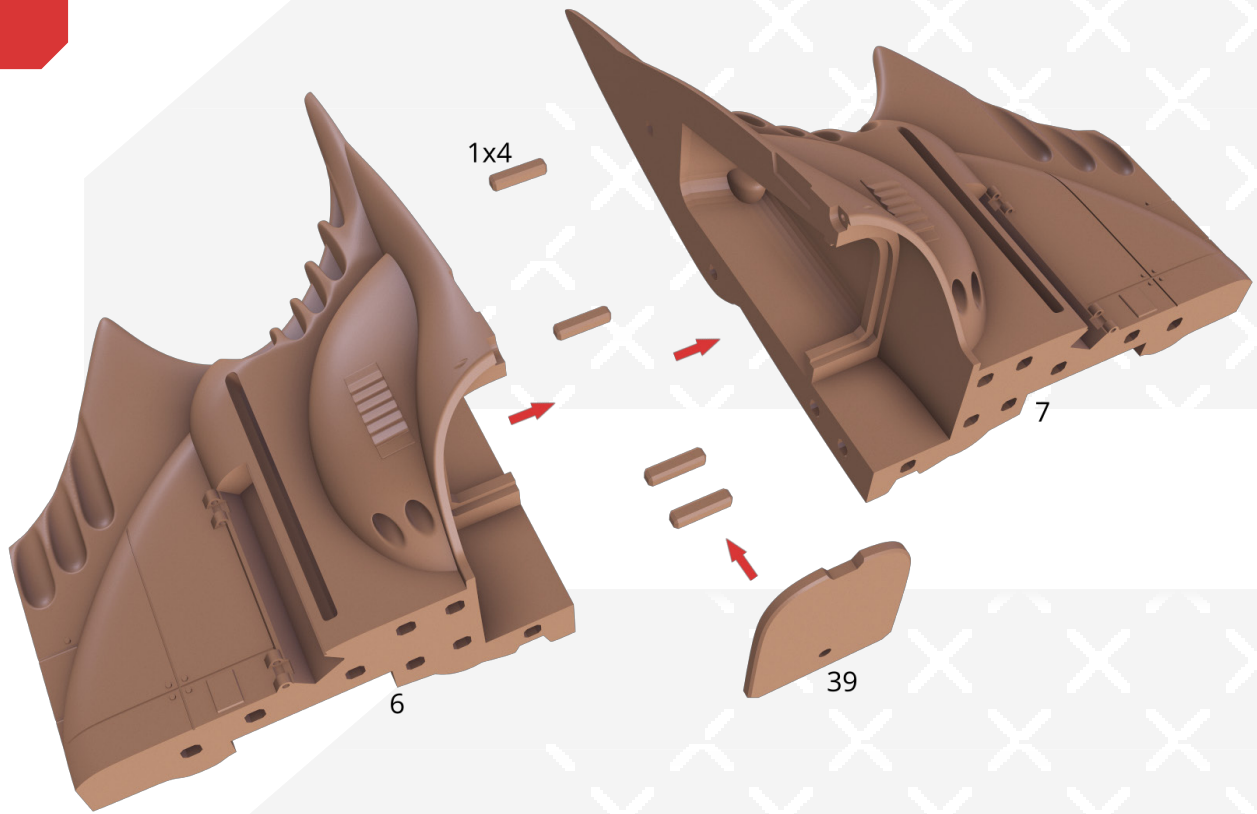
7



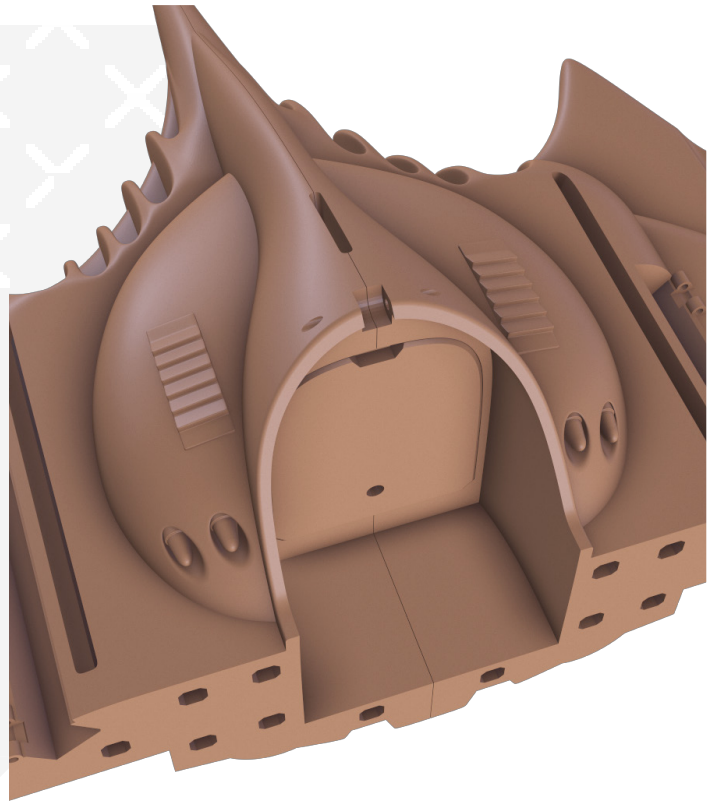
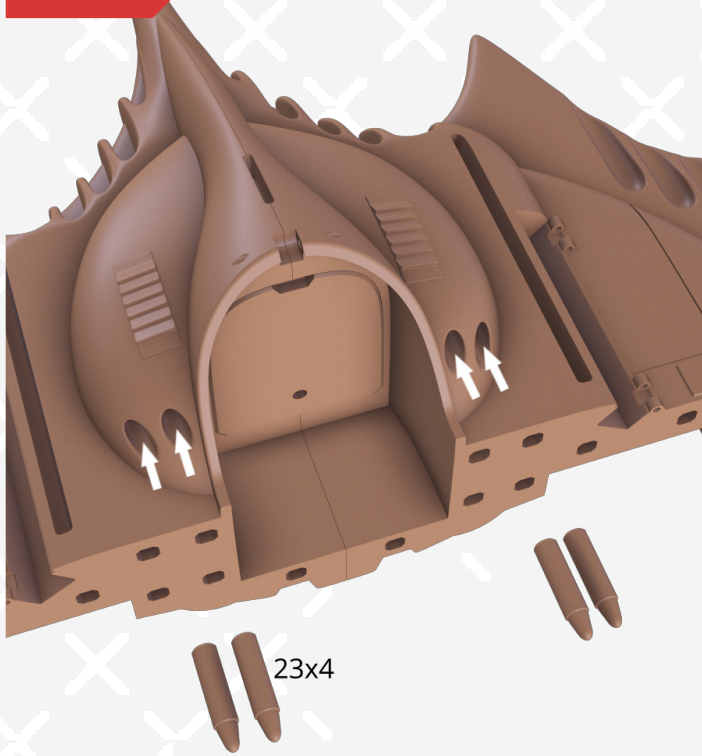
8



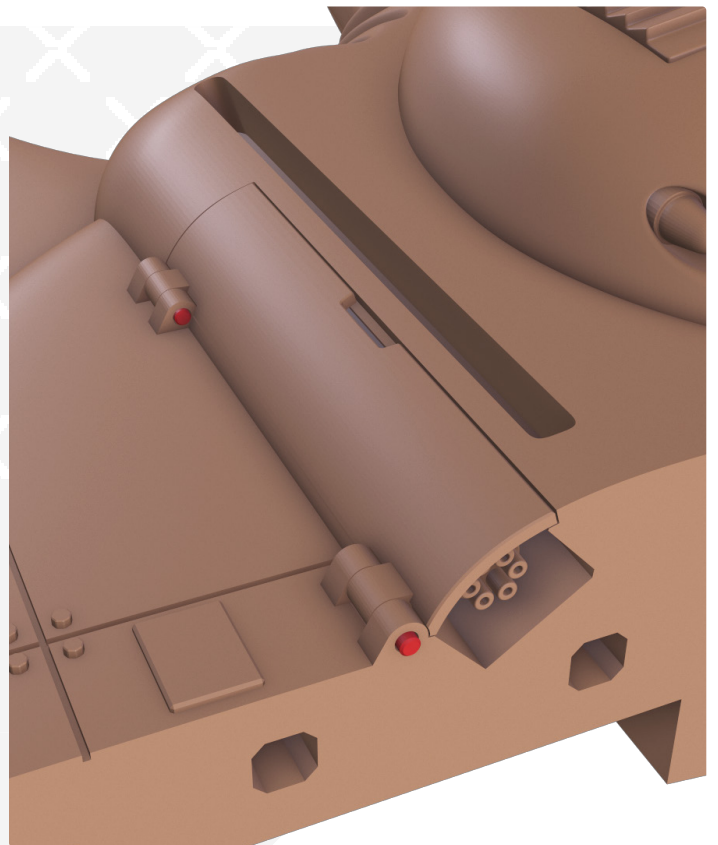
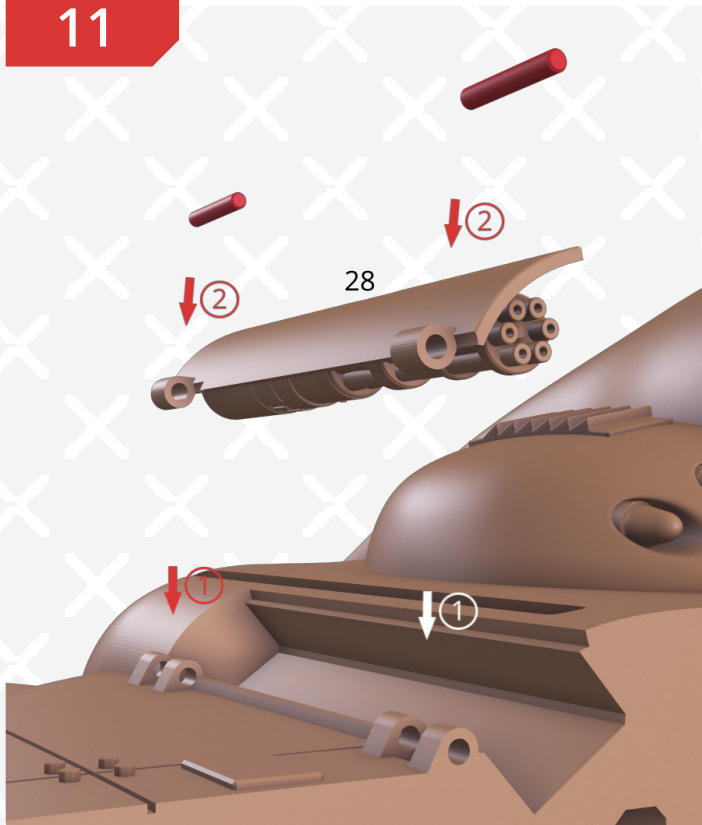
9



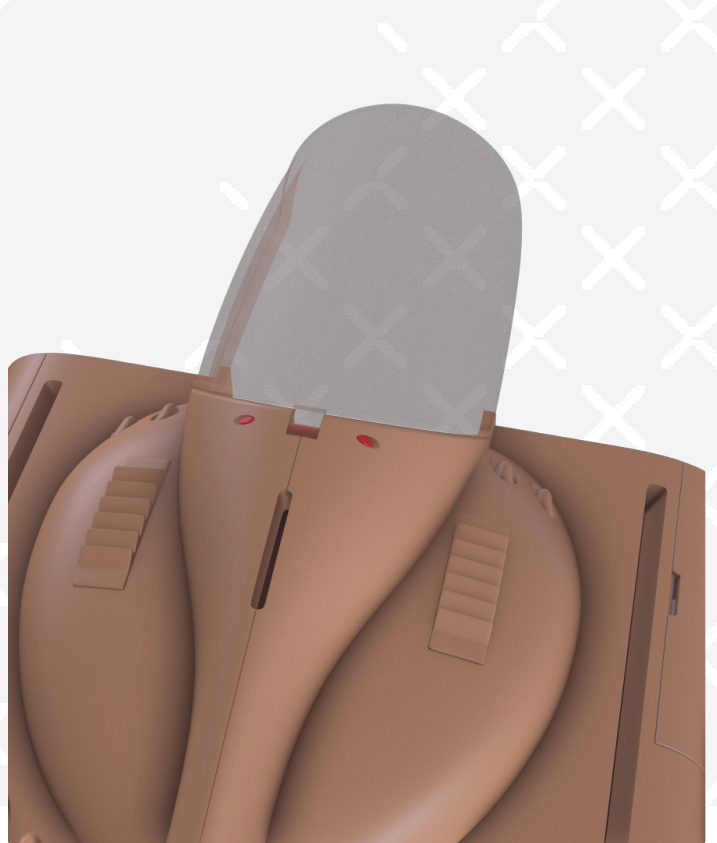
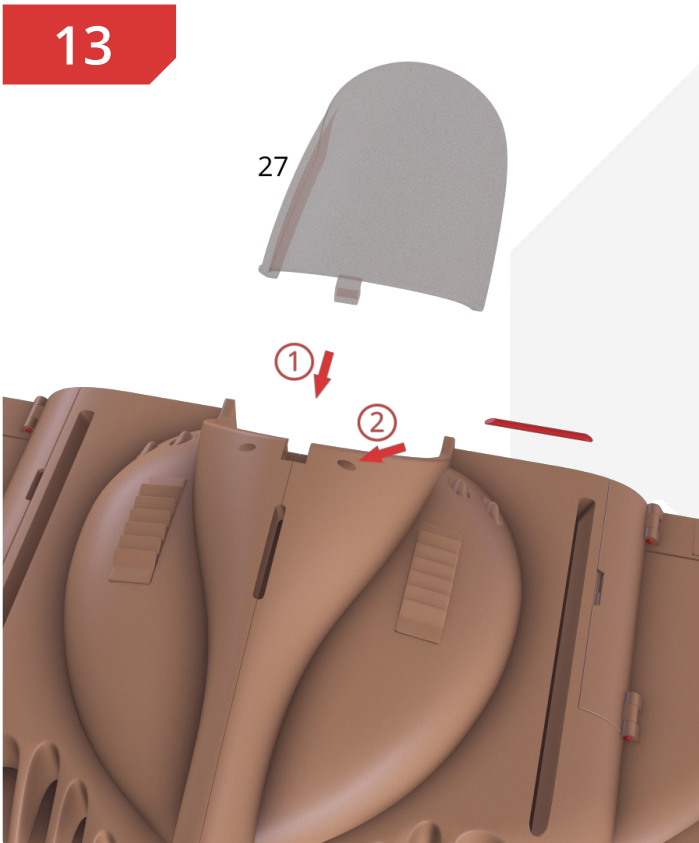
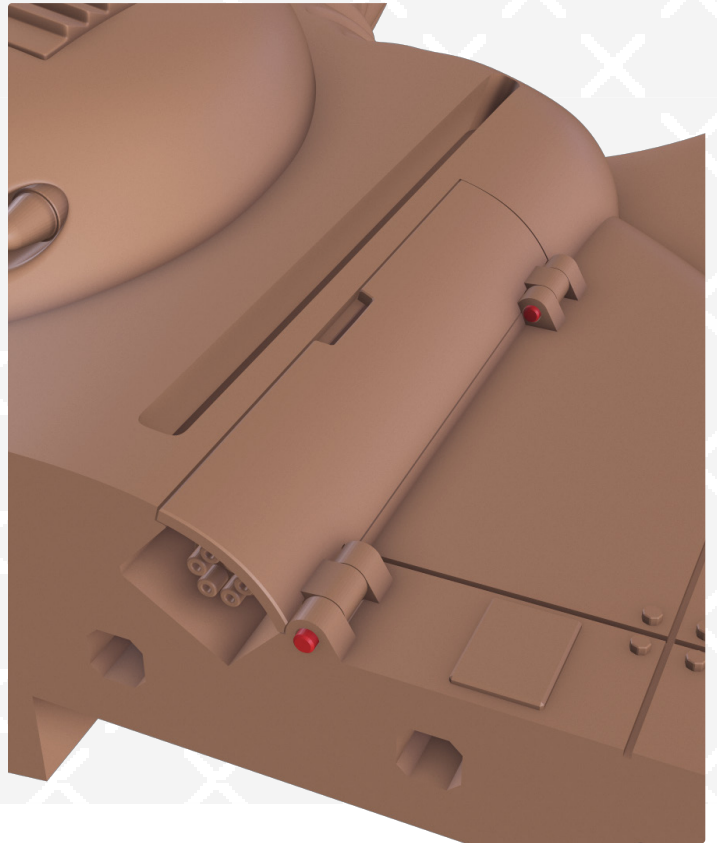
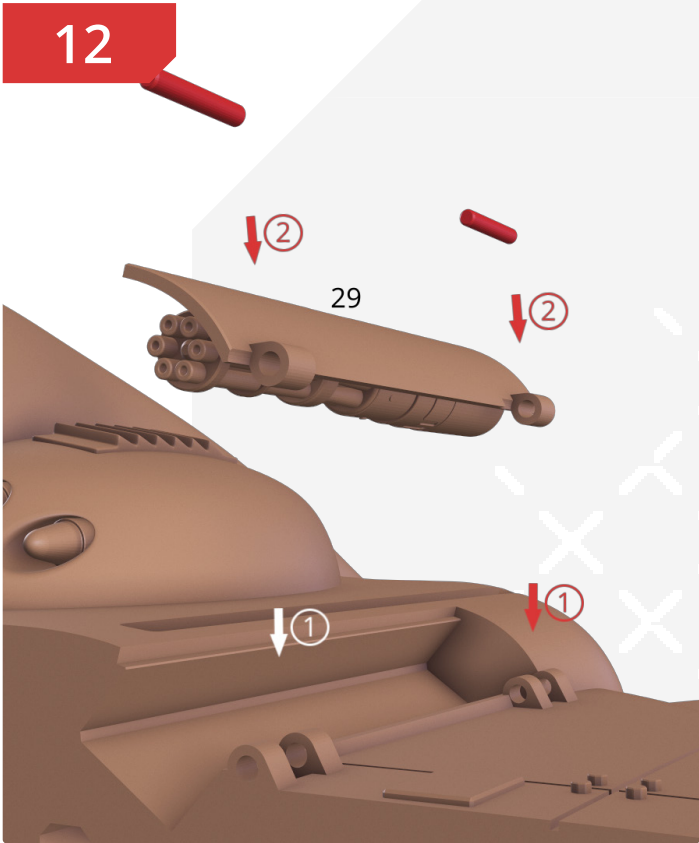
10



11





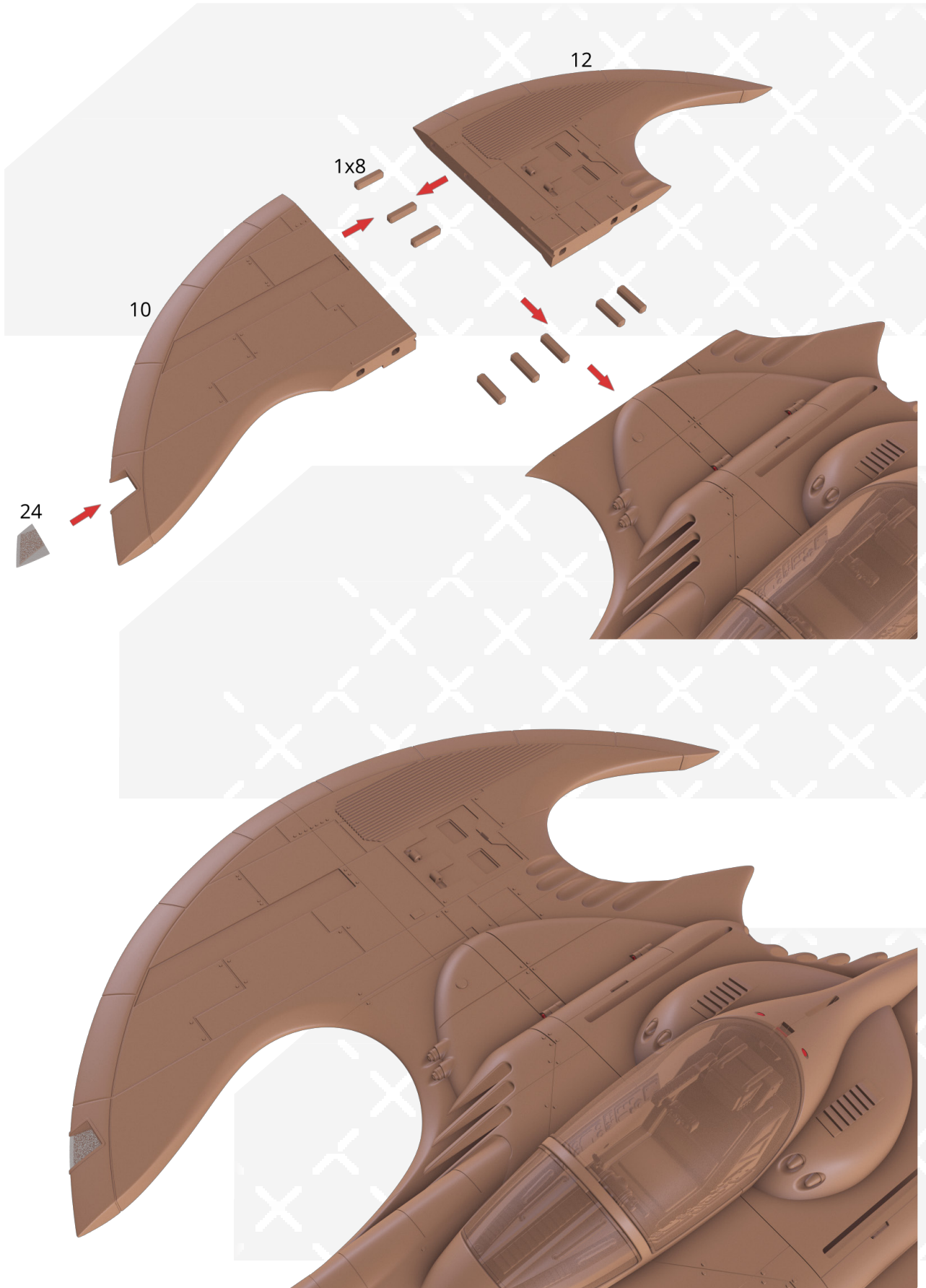


14

1x16



15



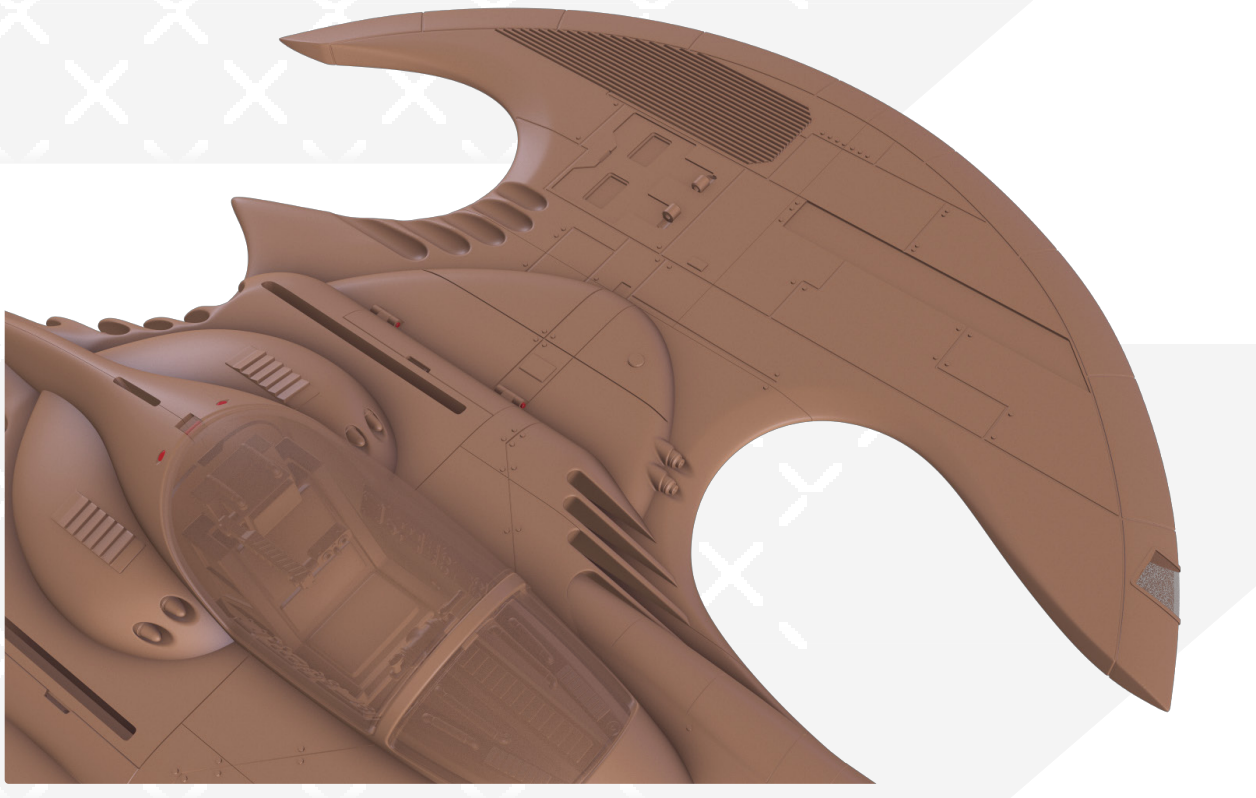
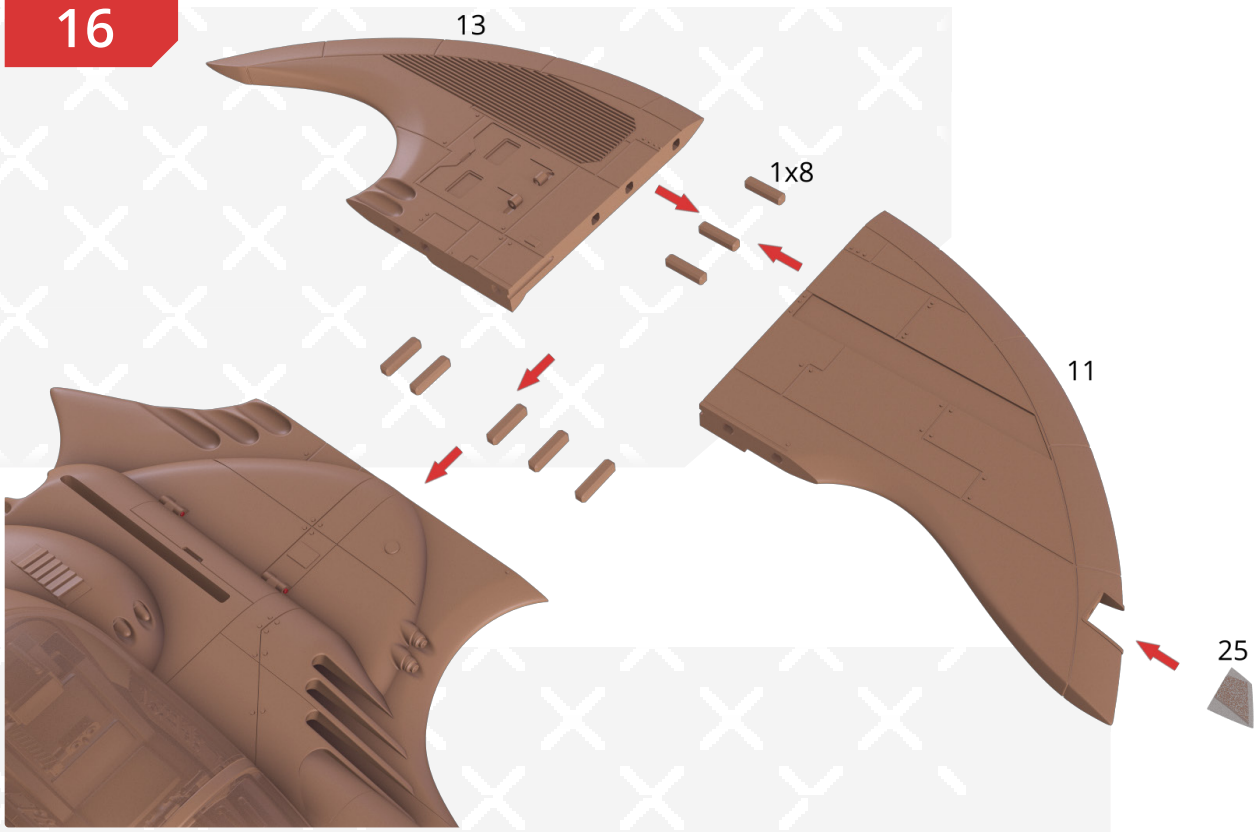
16

13

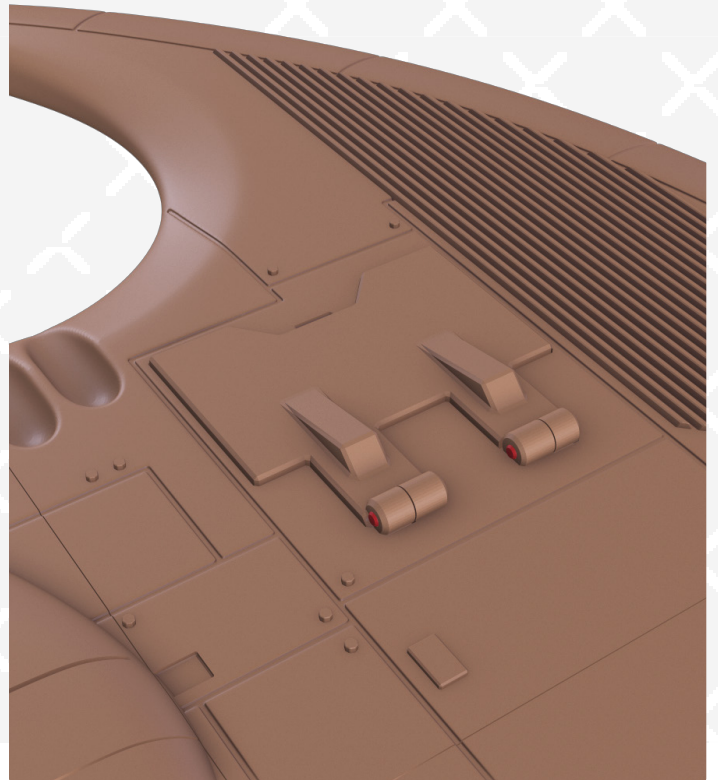
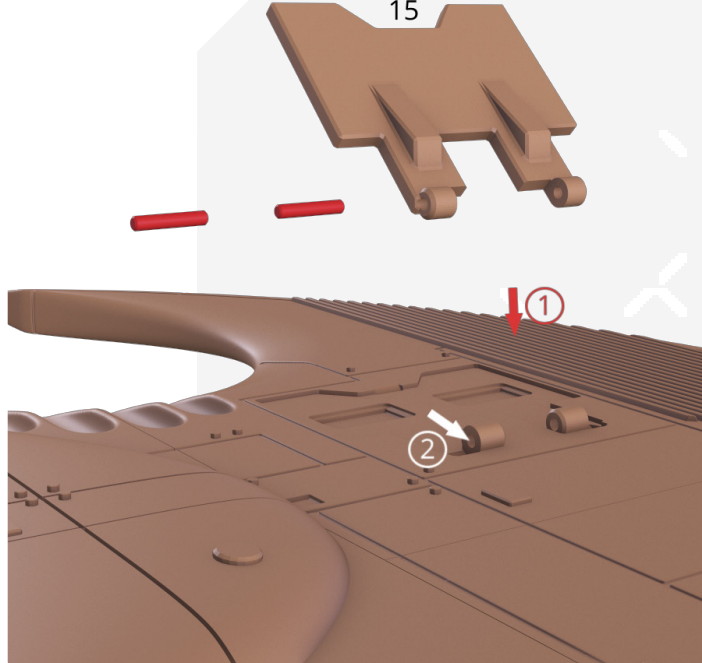
1x8

11

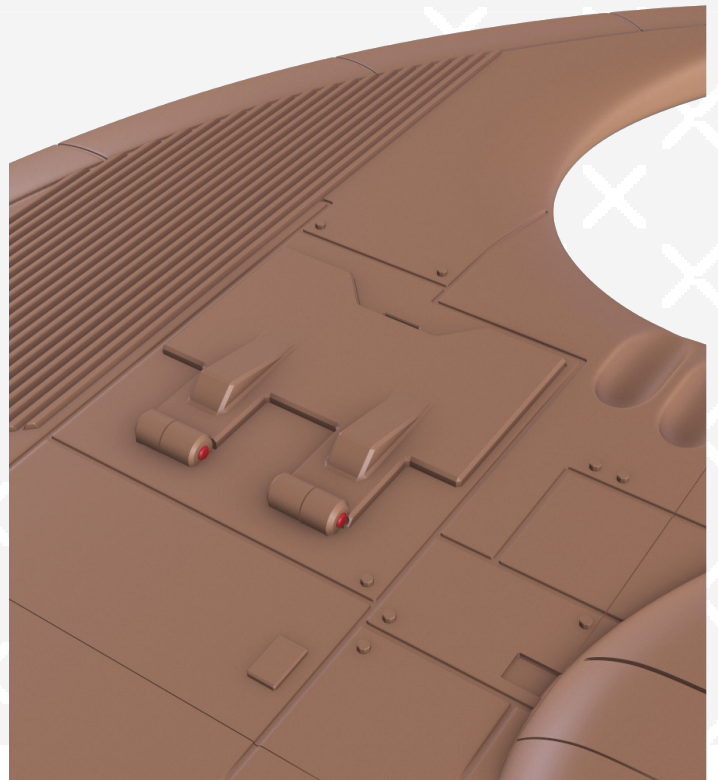
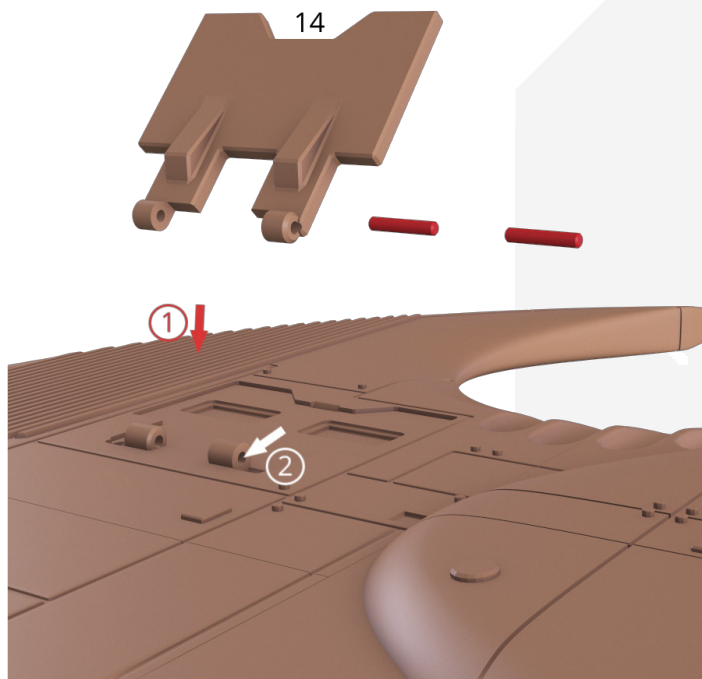
25



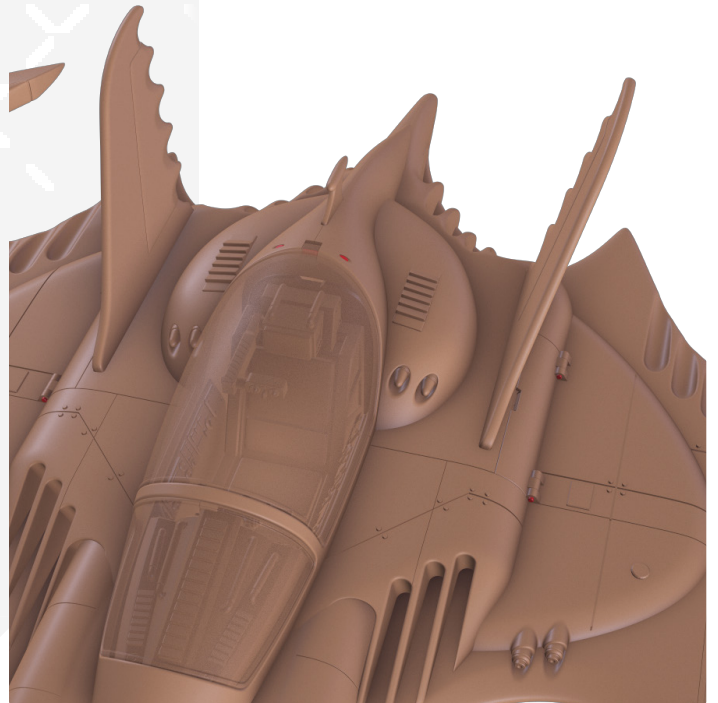
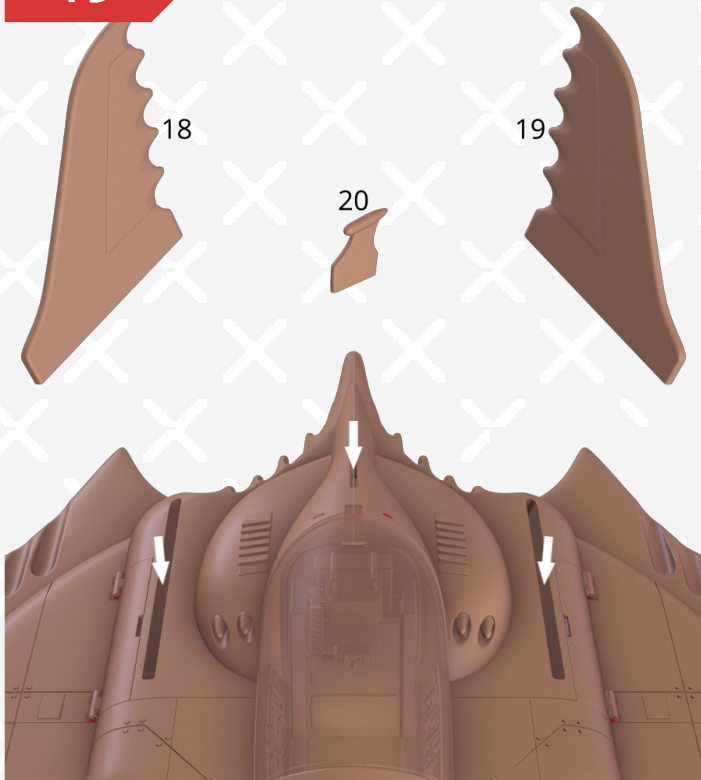
17



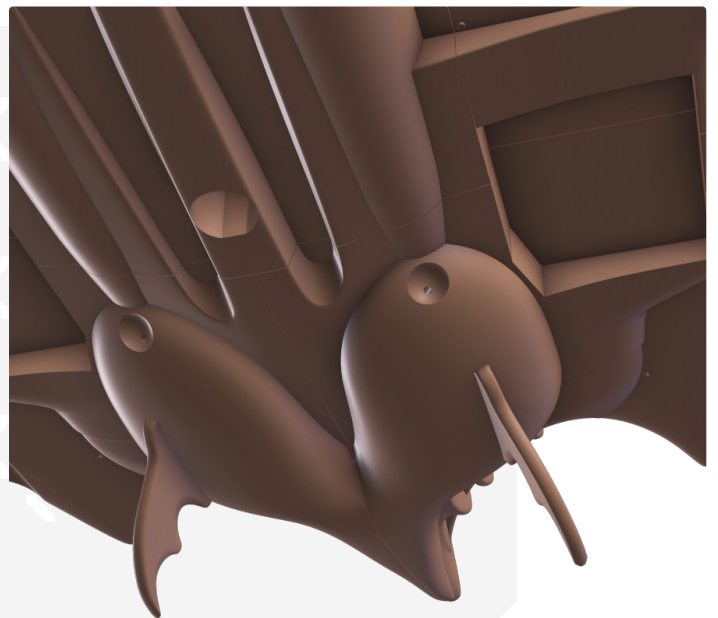
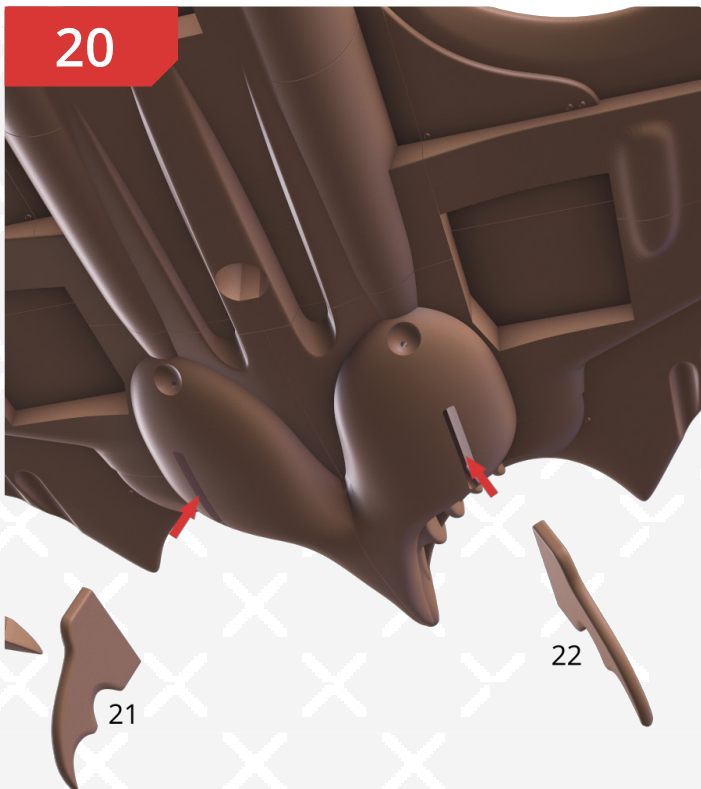
18



19



20

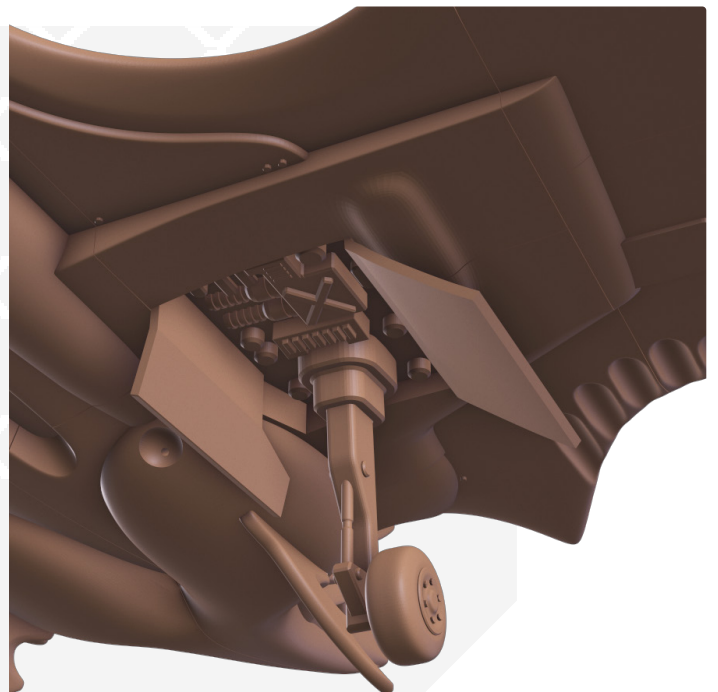
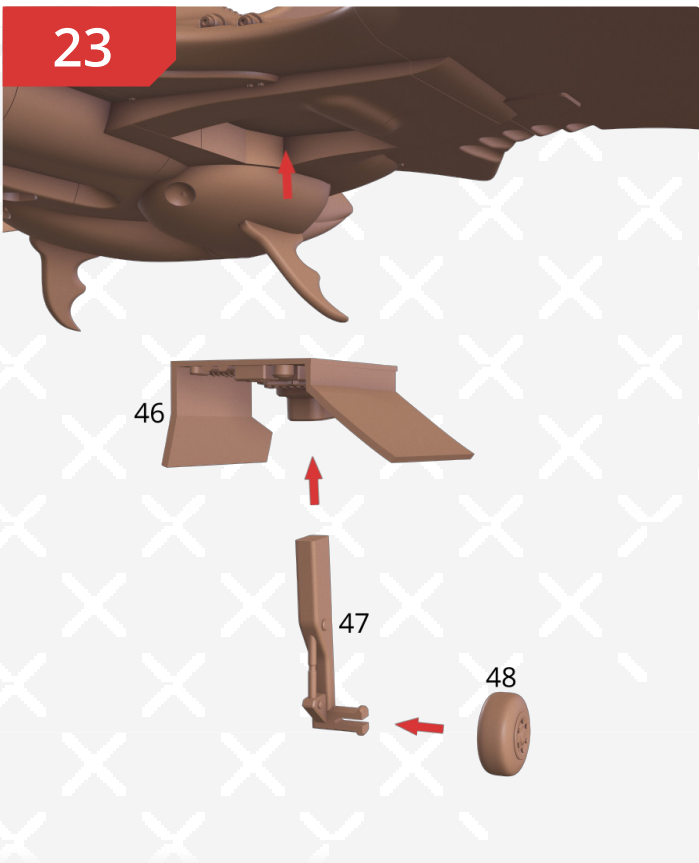
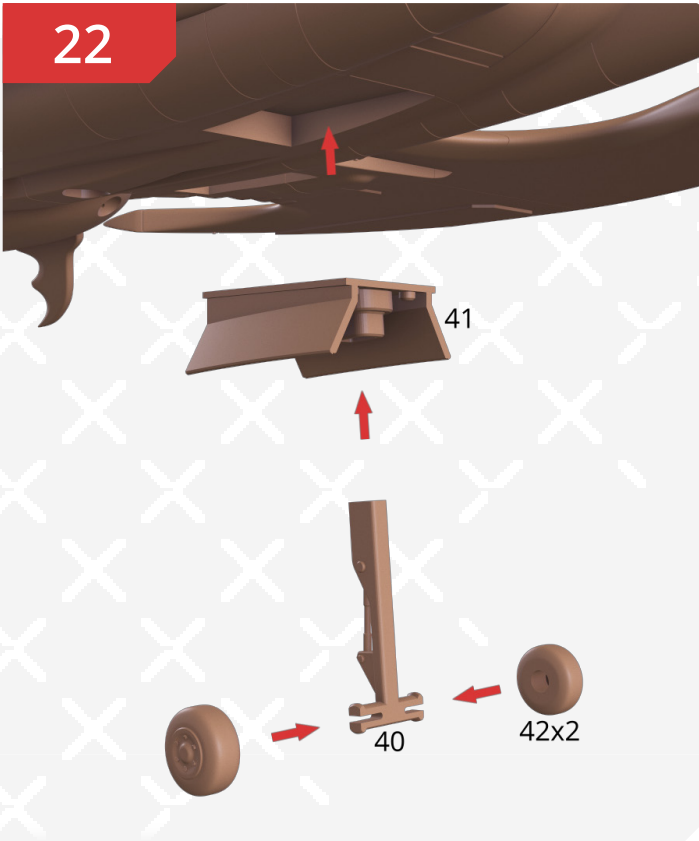


21



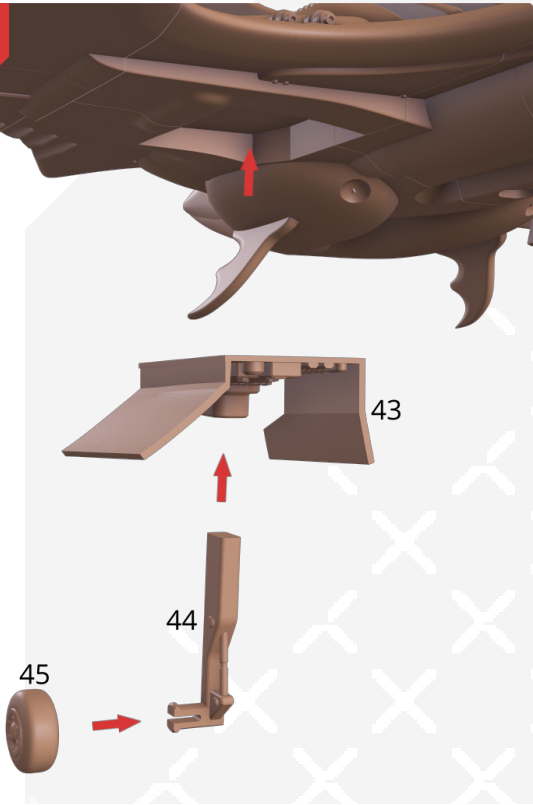
You can display Batwing 1989 on the extended landing gear or cover the slots for it with caps.



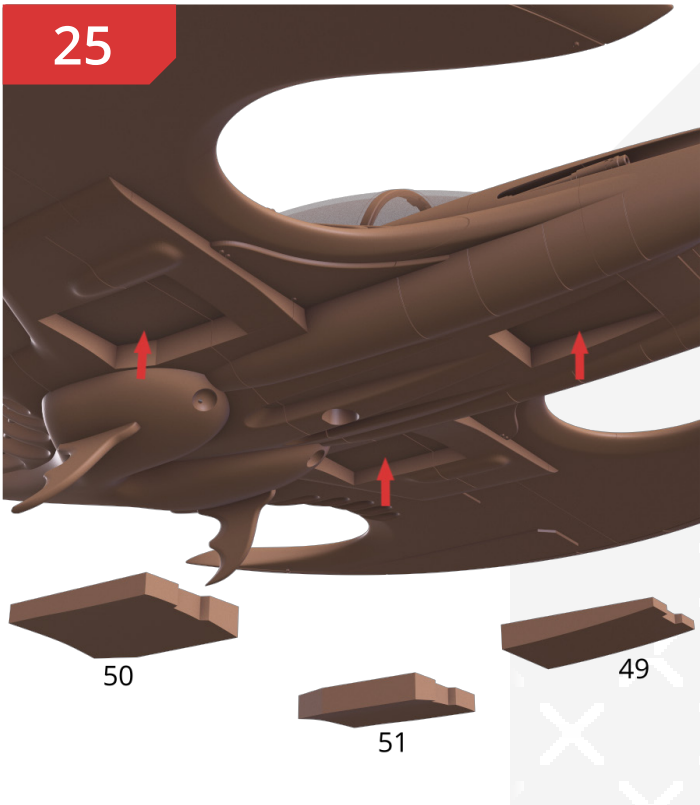




24



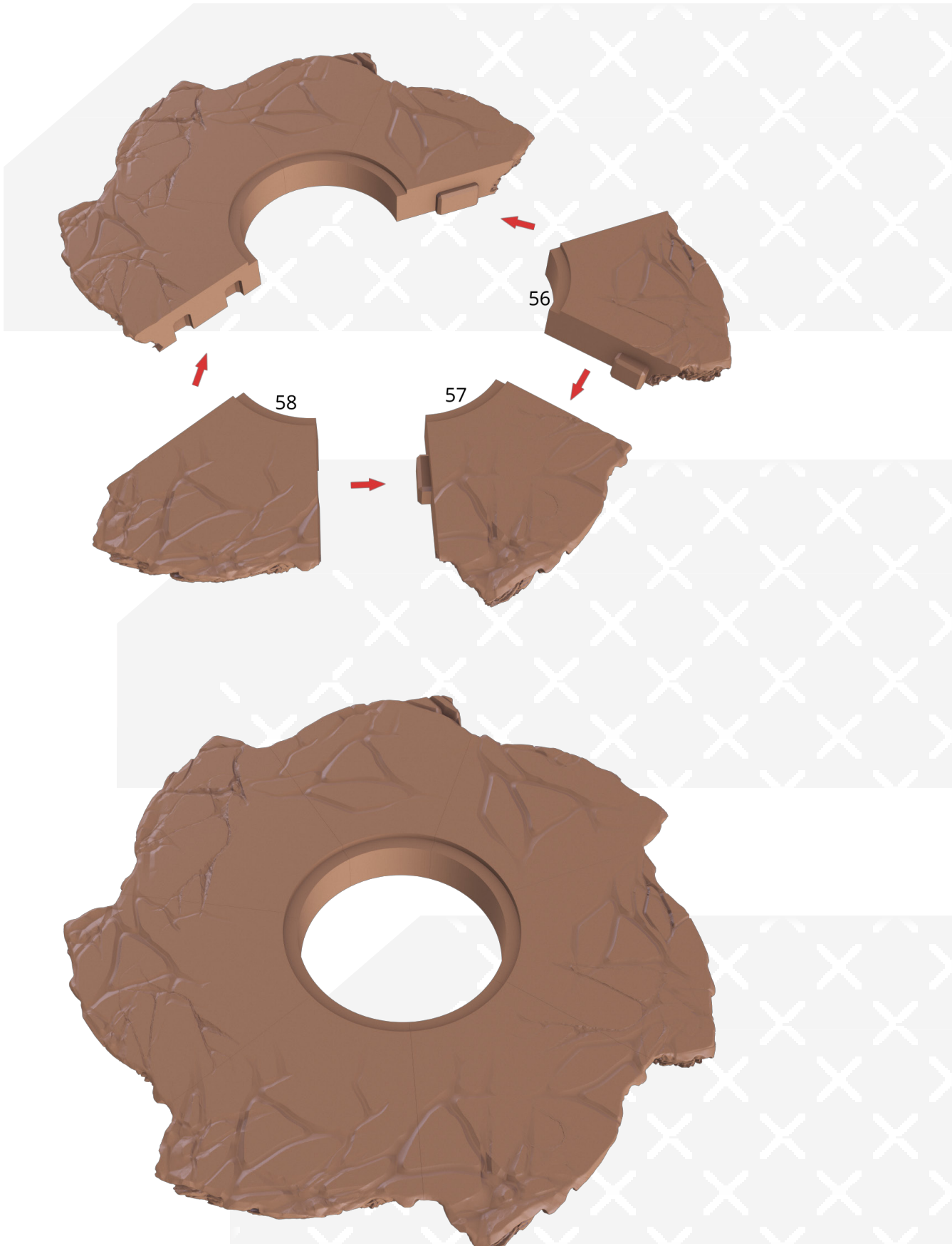
25



26



27



28



29



You can display Batwing 1989 in flight mode on a straight or a curved stand. Alternatively, you can cover the slot for the stand with a cap (part#5) and display the model on the extended landing gear.



**STL** files of all 3D printing models come with **full technical support** from **Gam**body team for life. If you have any questions or if you want to have any changes introduced, please, write to us at [support@gambody.com](mailto:support@gambody.com).

Thank you for choosing  
**Gam**body!

