

GURREN LAGANN INSTRUCTION 1

Design by Reza Aulia
Source: Toymakr3d.com

License: CC BY-NC-ND
- Attribution - Non Commercial - No Derivatives



GURREN LAGANN INSTRUCTION 2

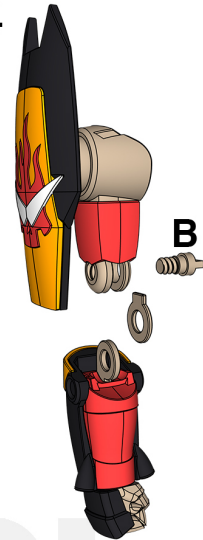
Design by Reza Aulia
Source: Toymakr3d.com

License: CC BY-NC-ND
- Attribution - Non Commercial - No Derivatives

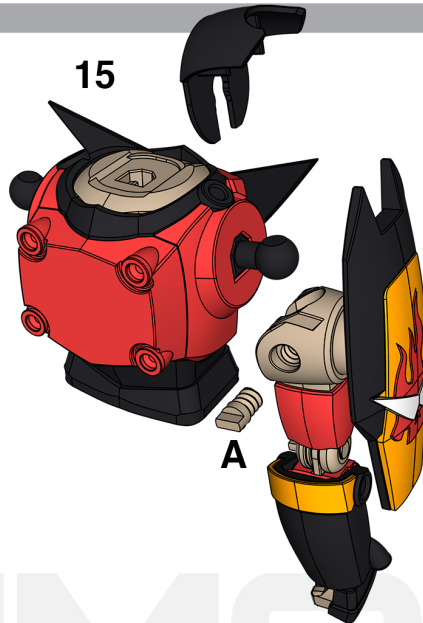
13



14



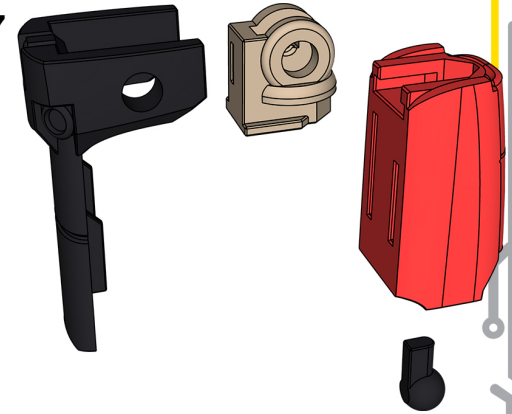
15



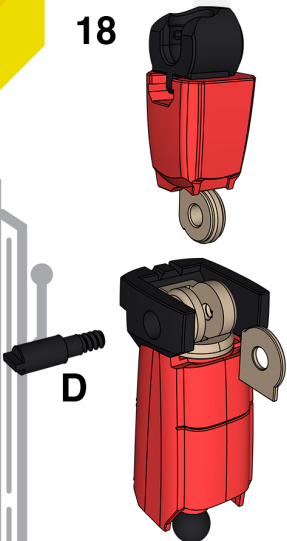
16



17



18



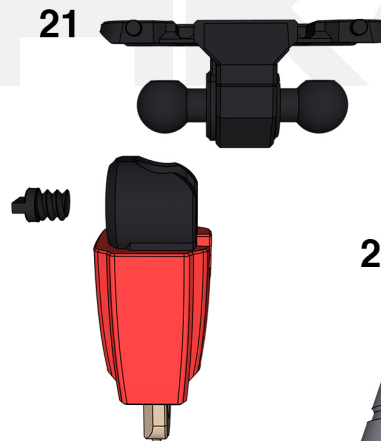
19



20



21



23

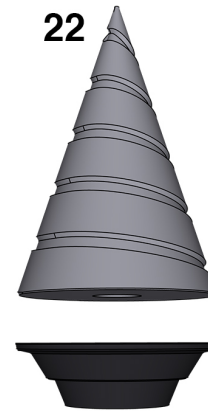


1. Open

2. Switch with
Drill screw

3. to the Drill

22



D

E

TIPS: Use Nail Polish on the ball joint and friction joint surfaces to add more friction and to fix loose joint.

TIPS: Spray finished model using Clear Coat to protect it from weather and moisture