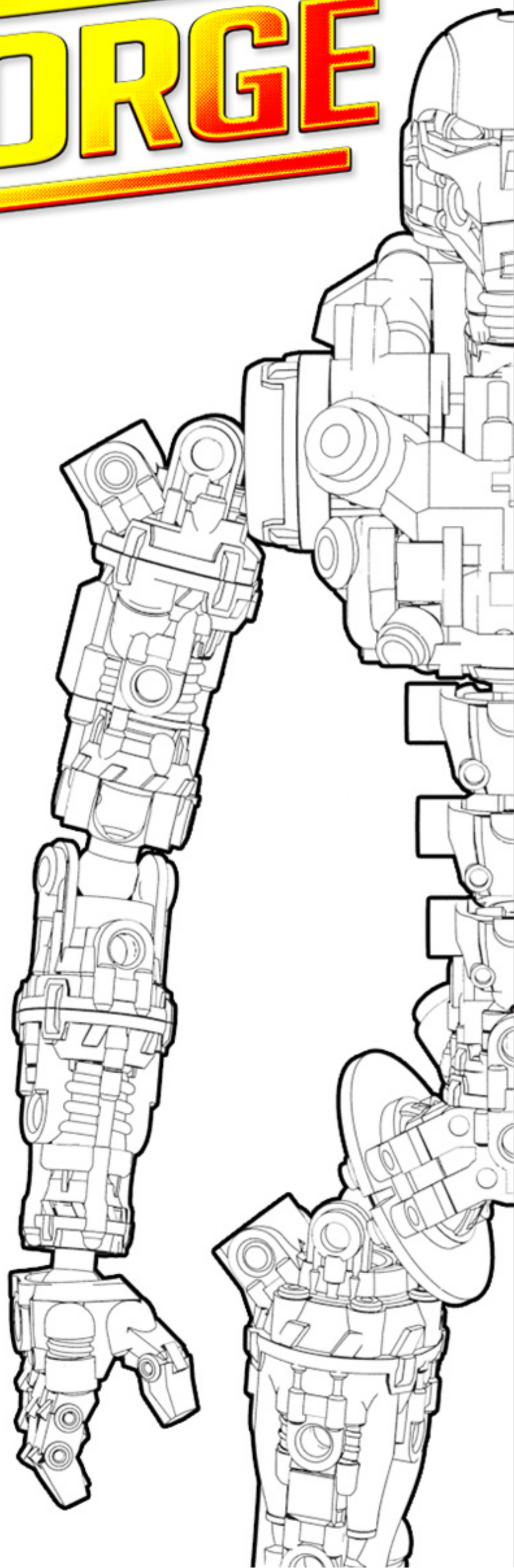


# TOY FORGE



**ENDO** | v2  
BUILD INSTRUCTIONS

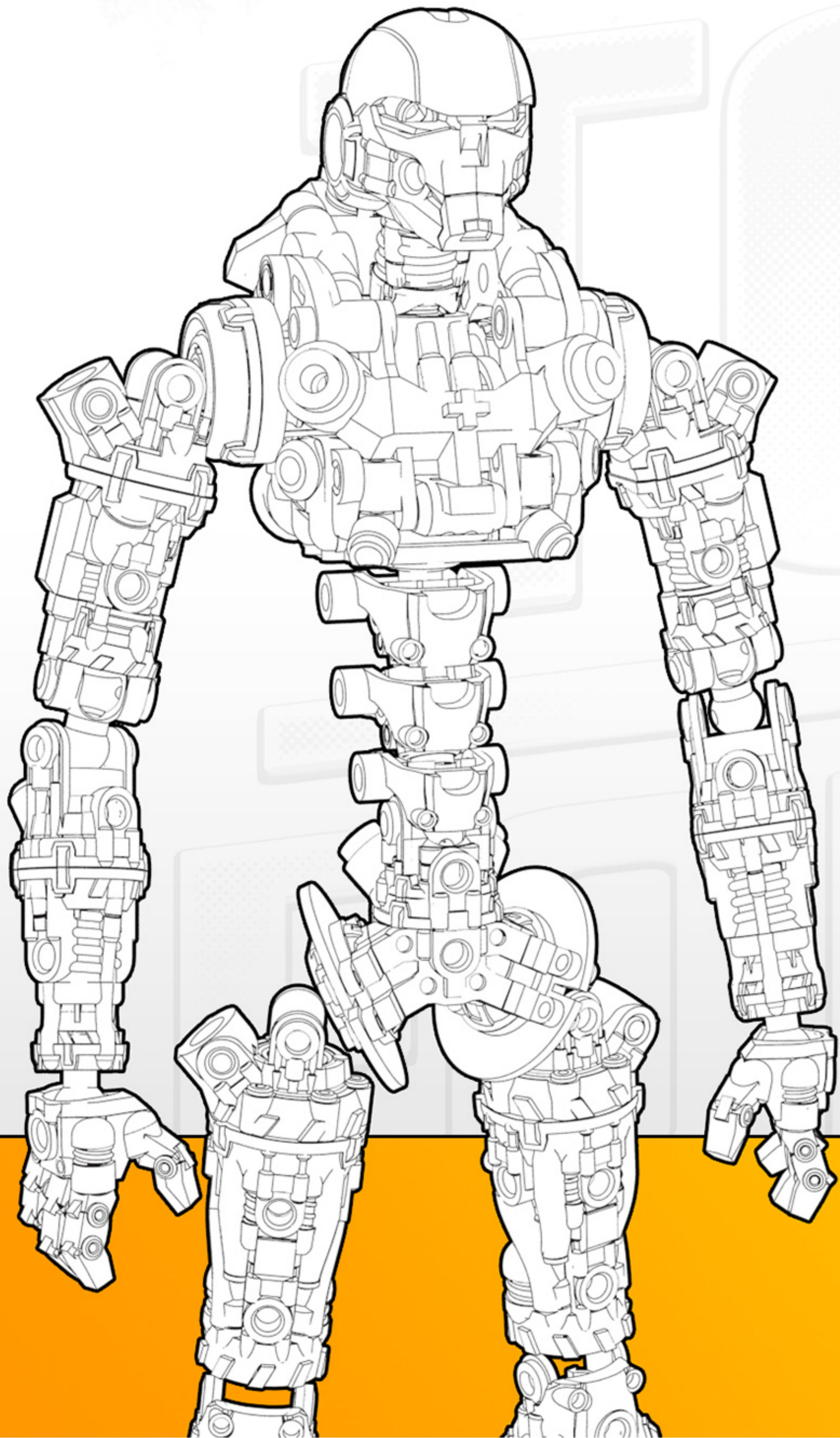


# TOY FORGE

INTRODUCING  
**APOLLO**

OUR FIRST FULLY ASSEMBLED  
3D PRINTED ACTION FIGURE

PRE-ORDER NOW

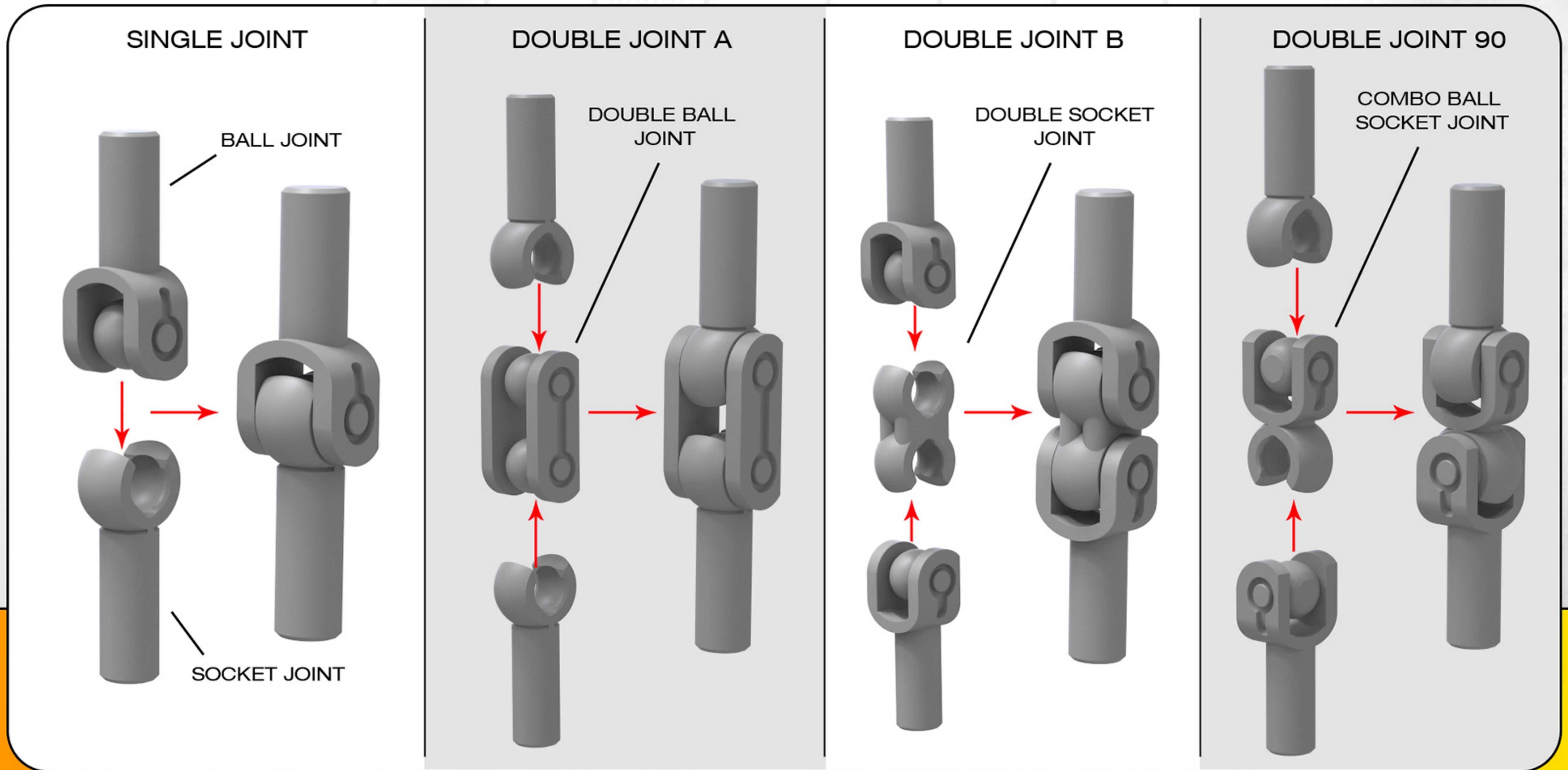


## INDEX

JOINTS	_____	Pg 02
HEAD	_____	Pg 03
LEGS	_____	Pg 04
ARMS	_____	Pg 07
PELVIS	_____	Pg 10
SPINE	_____	Pg 12
TORSO	_____	Pg 14
FINAL ASSEMBLY	_____	Pg 19
EXTRAS	_____	Pg 21

# JOINT SYSTEM V3

The new modular joint system allows you the freedom to customise the possibility of Endo and its variants. This section shows you some of the types of combinations that can be used to create single and double joint setups. The same joint components can be used to create any length of joint chain with numerous 90 degree angle changes.

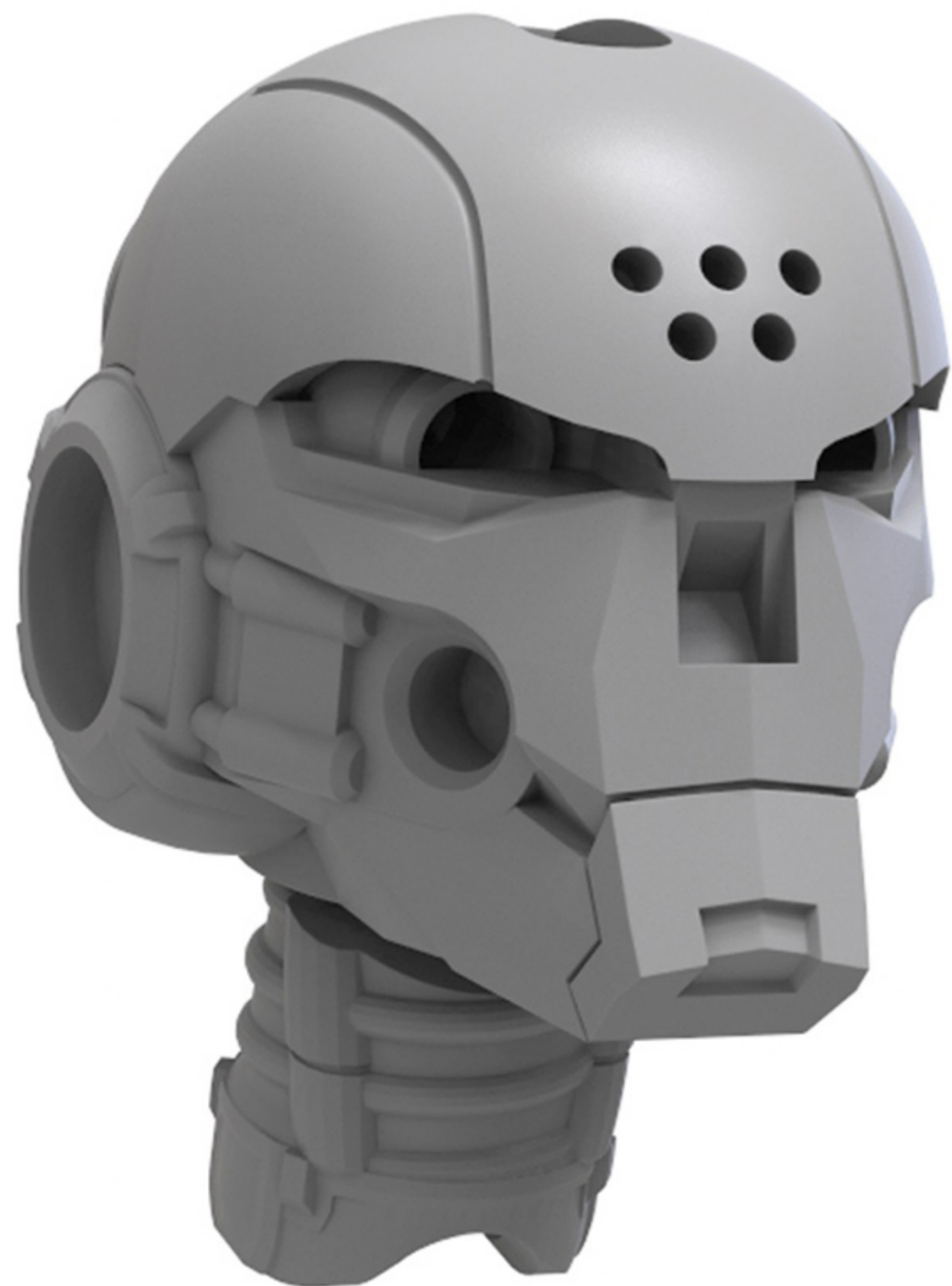


# HEAD PRINTING

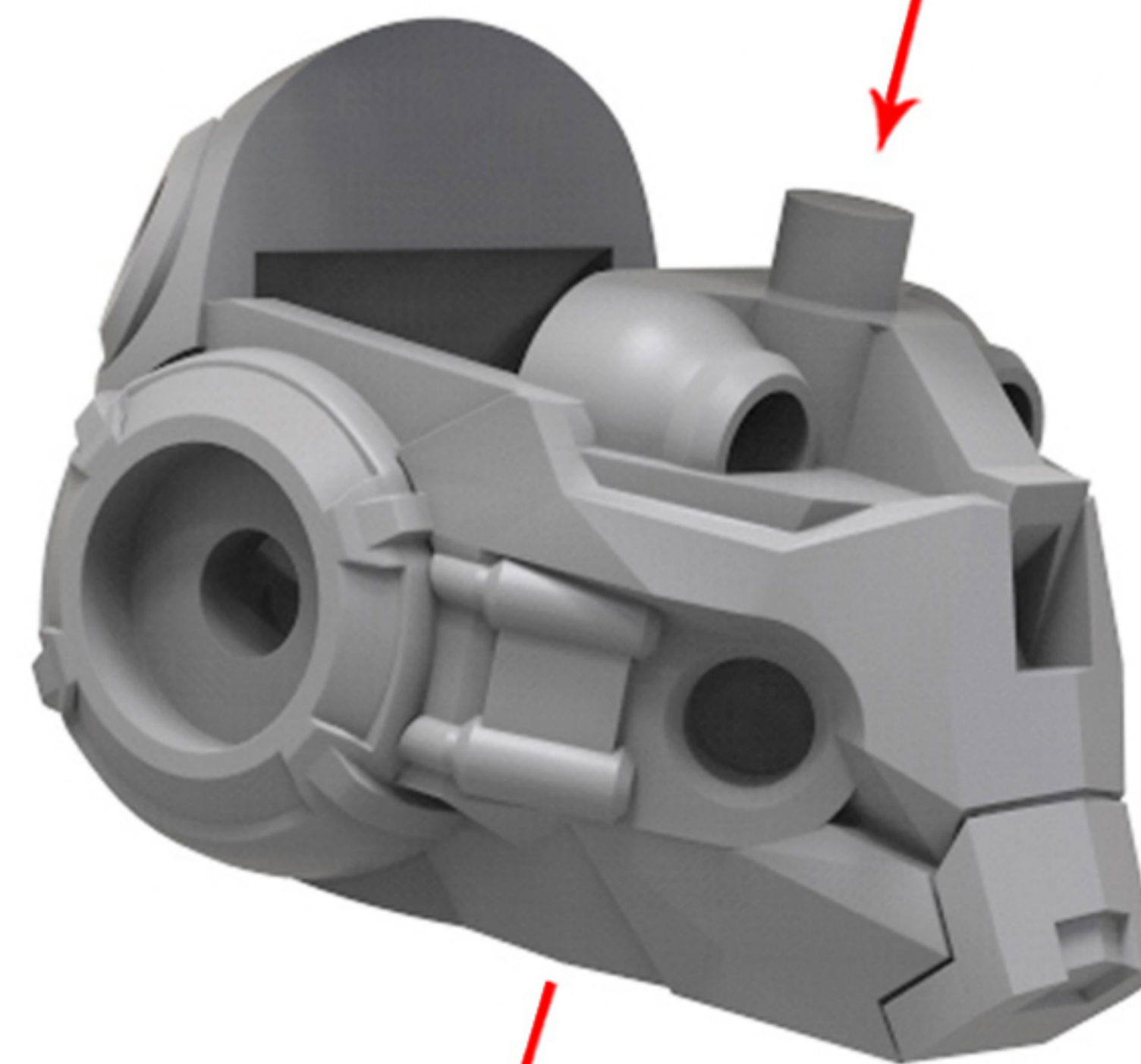
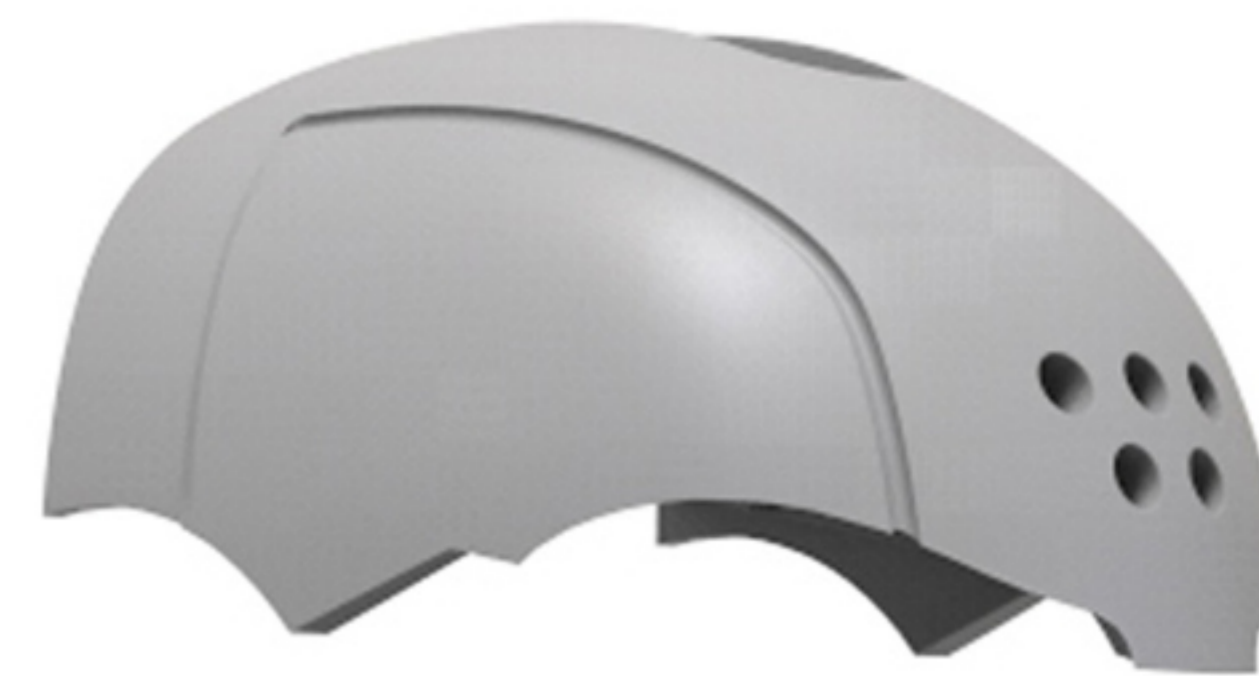
OPTIONAL (PLEASE REFER TO EXTRAS PG 22)

3mm LED LAMPS X 2

LR41 CELL BATTERIES X 4



SKULL  
COVER



SKULL  
BASE V2

NECK V2



# LEG PRINTING CHECKLIST

LEFT THIGH GUIDEPIPE

RIGHT THIGH GUIDEPIPE

LEFT THIGH TOP

RIGHT THIGH TOP

LEFT THIGH BOTTOM

RIGHT THIGH BOTTOM

LEFT KNEE

RIGHT KNEE

LEFT SHIN

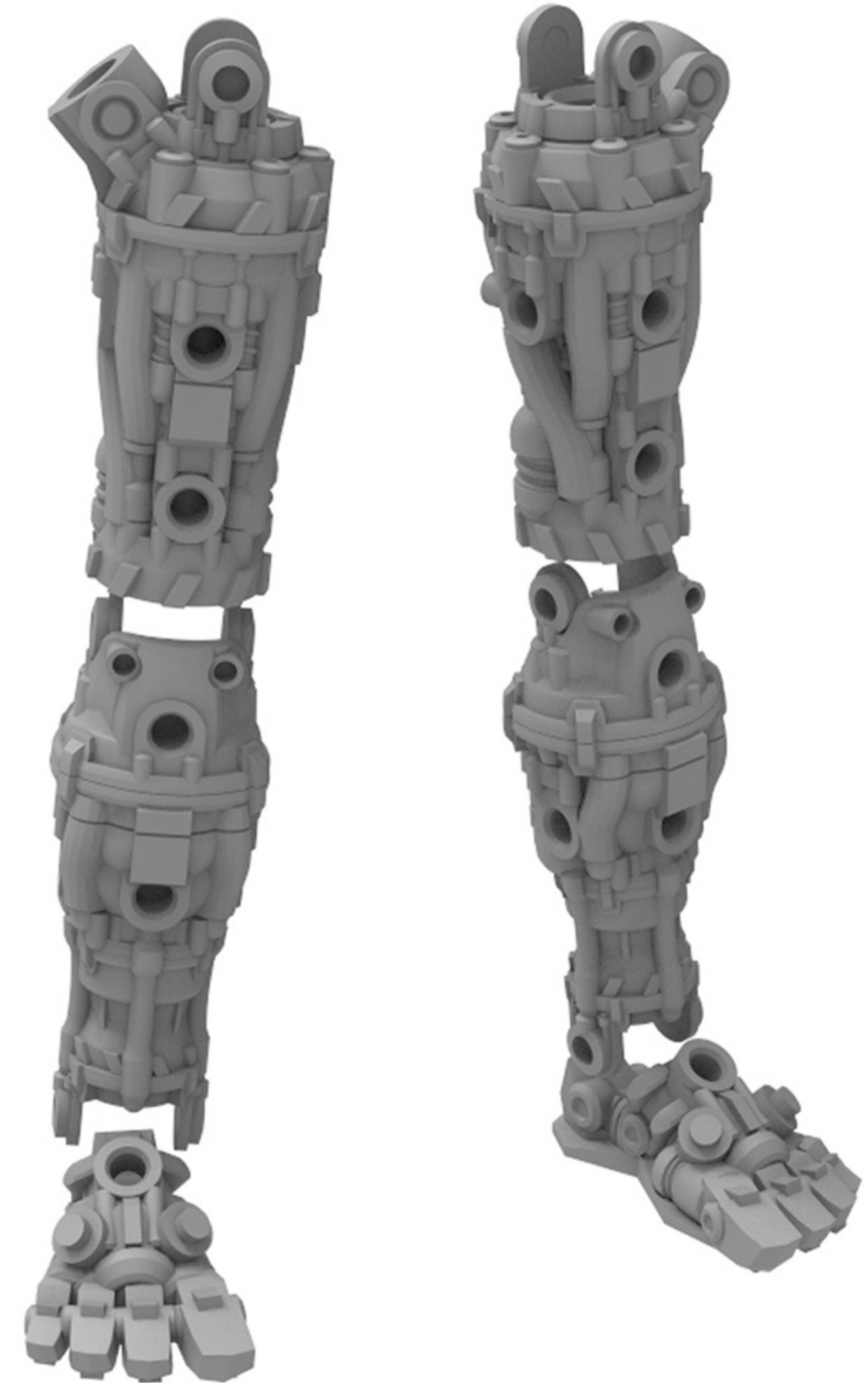
RIGHT SHIN

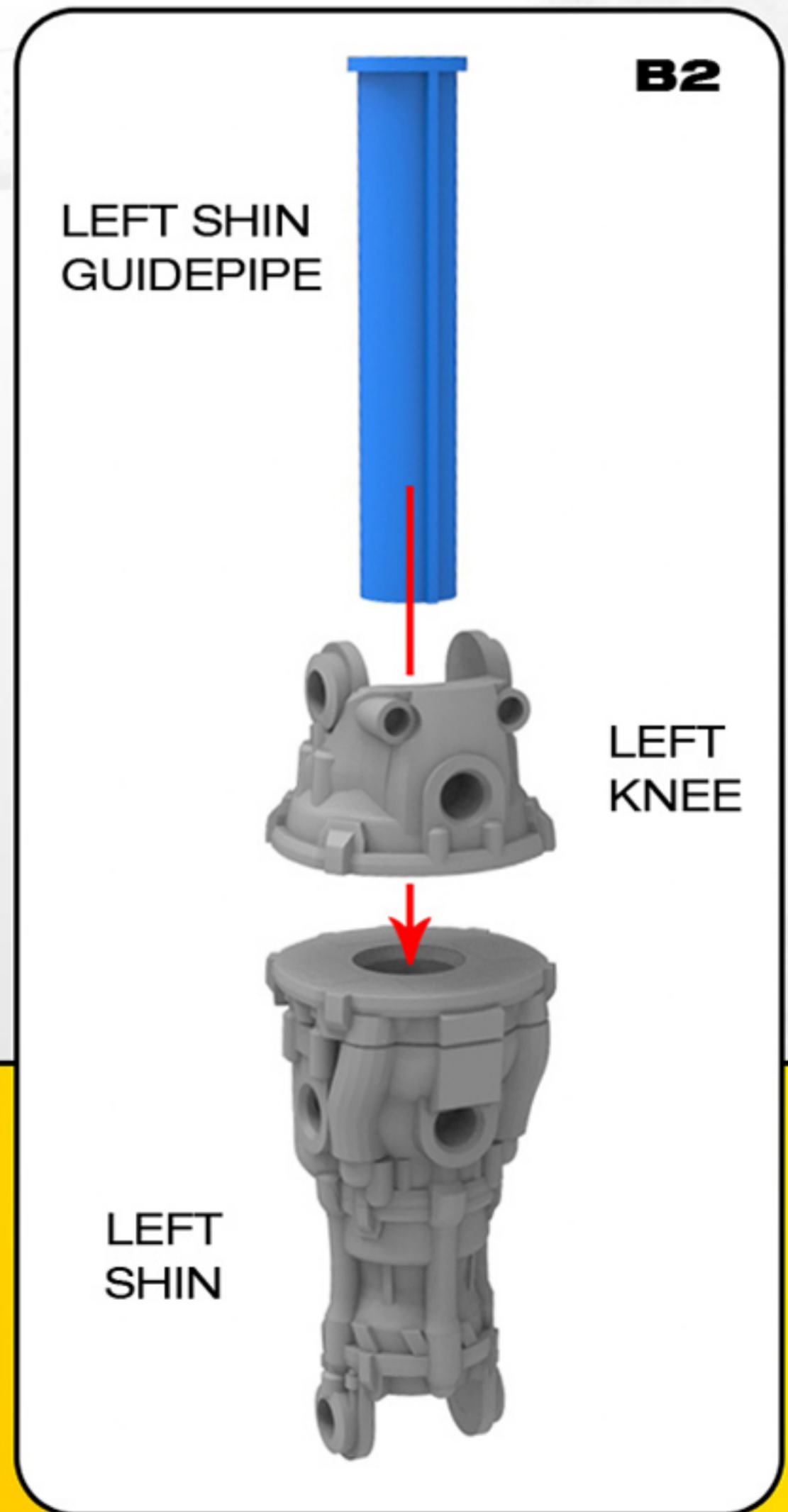
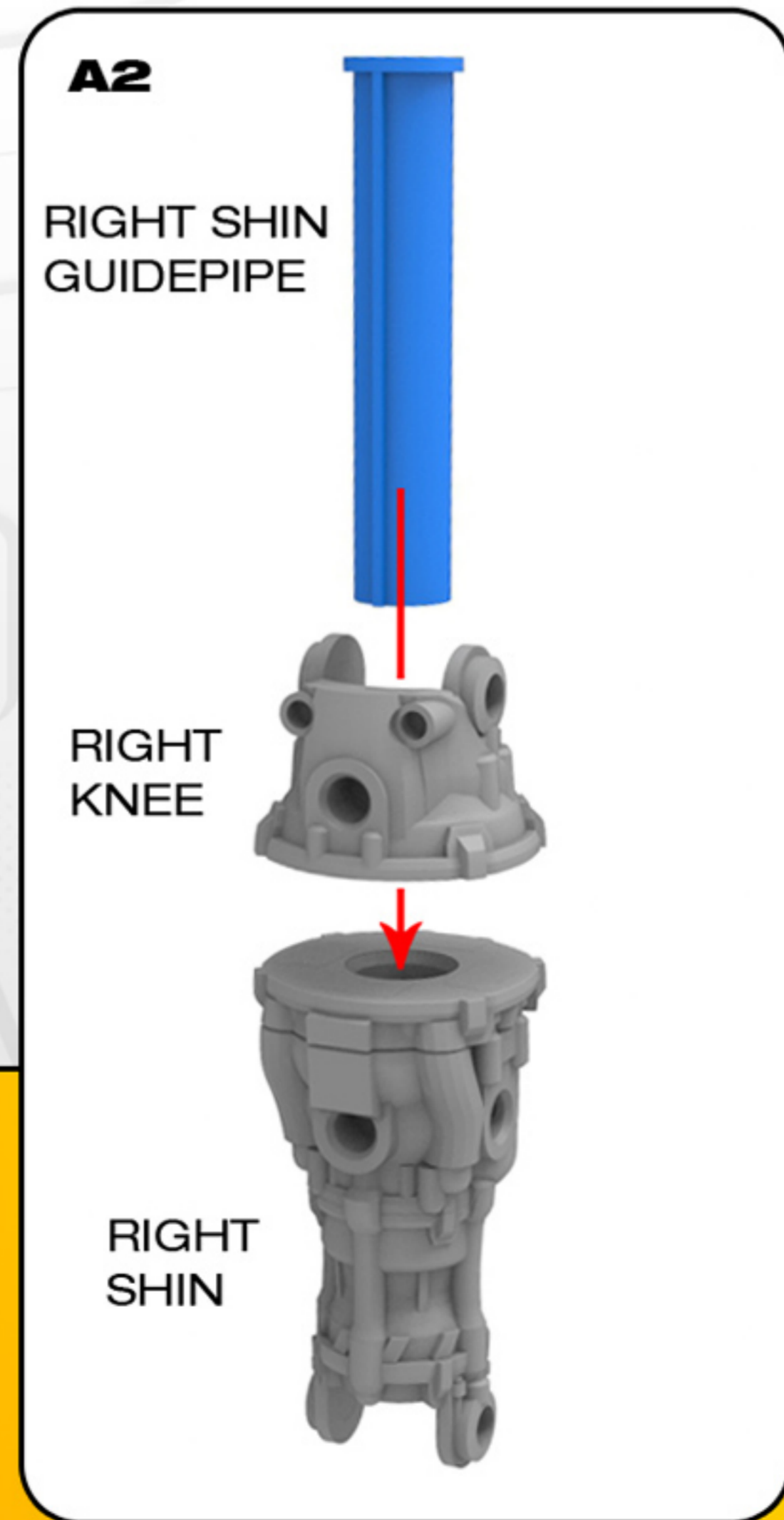
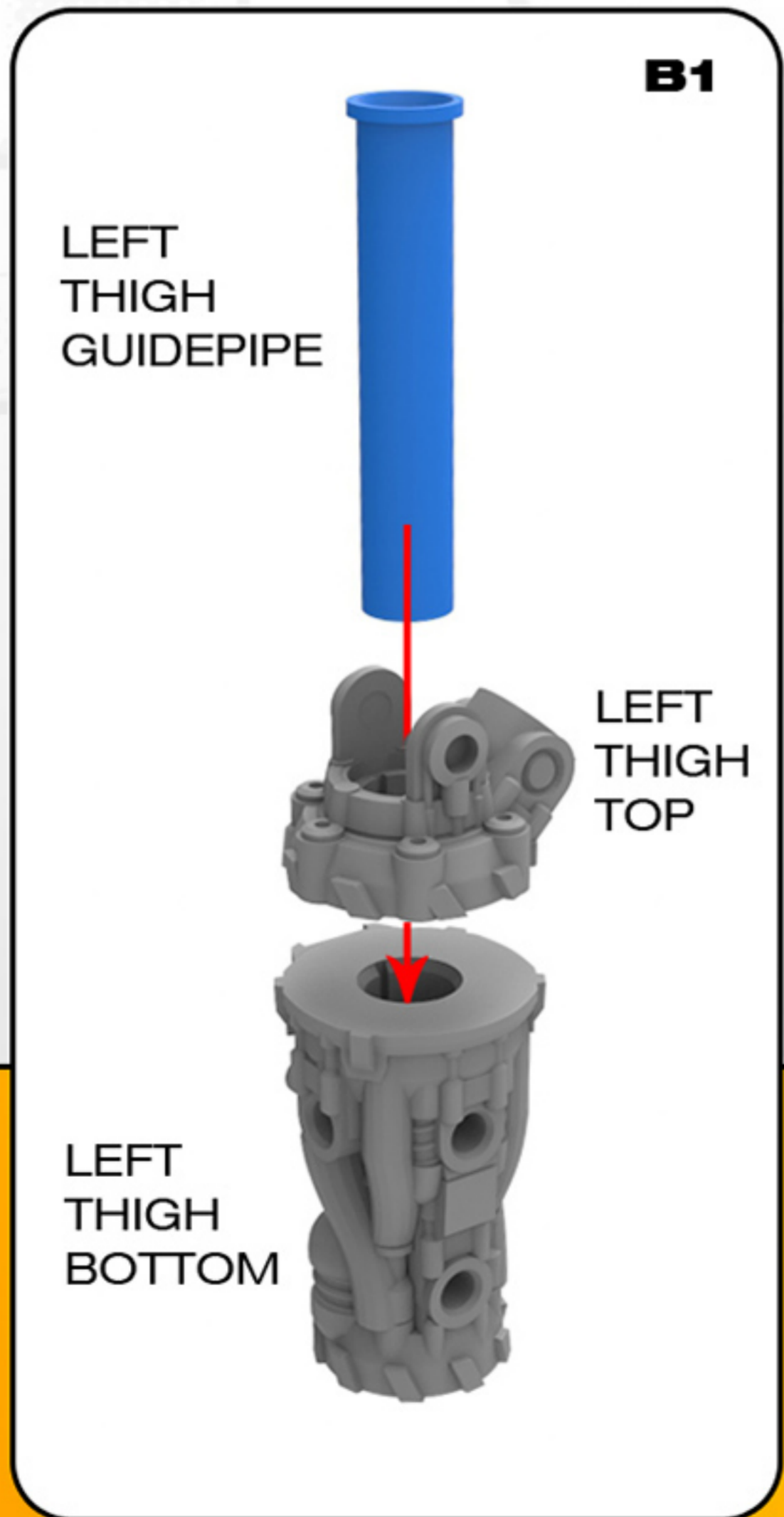
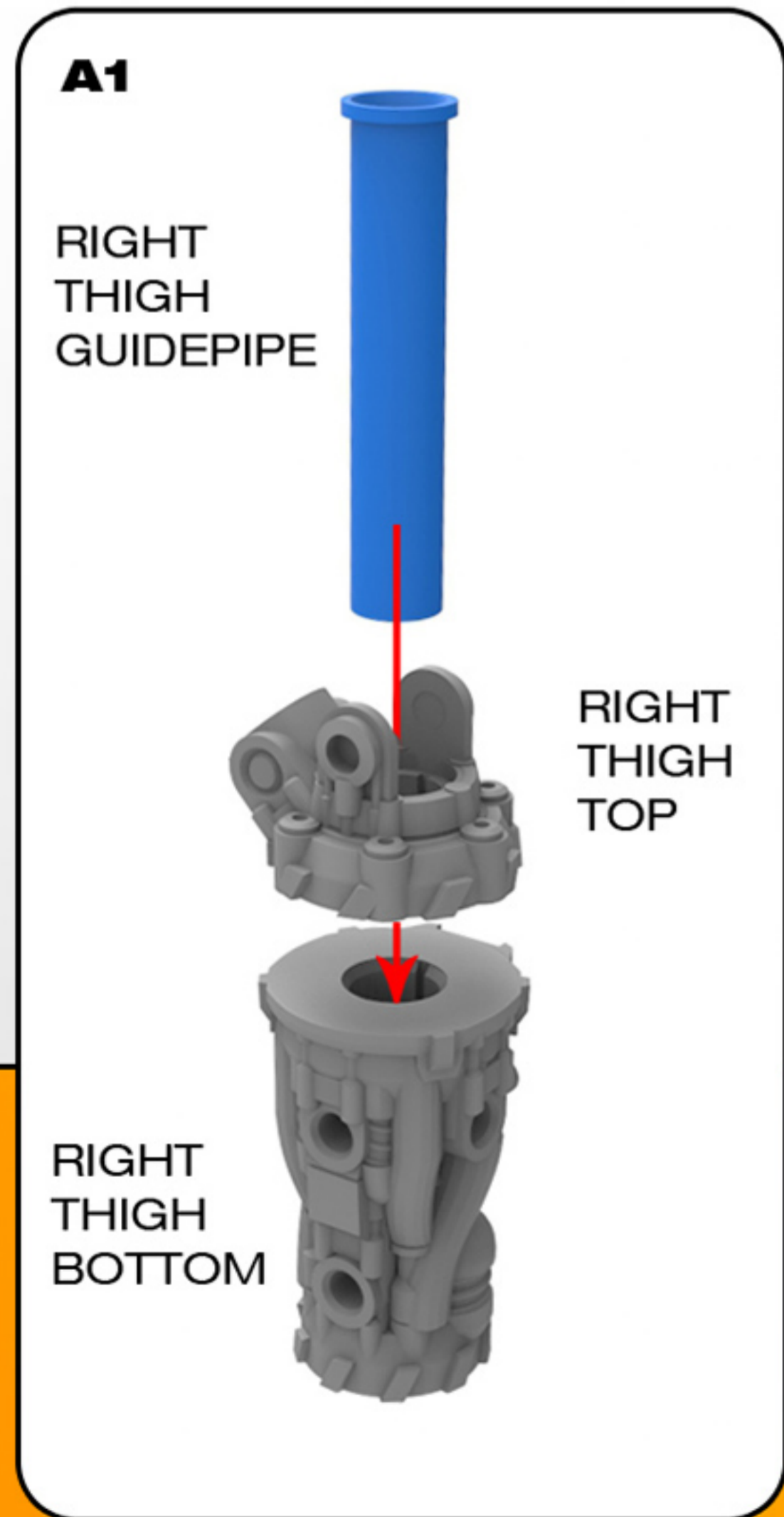
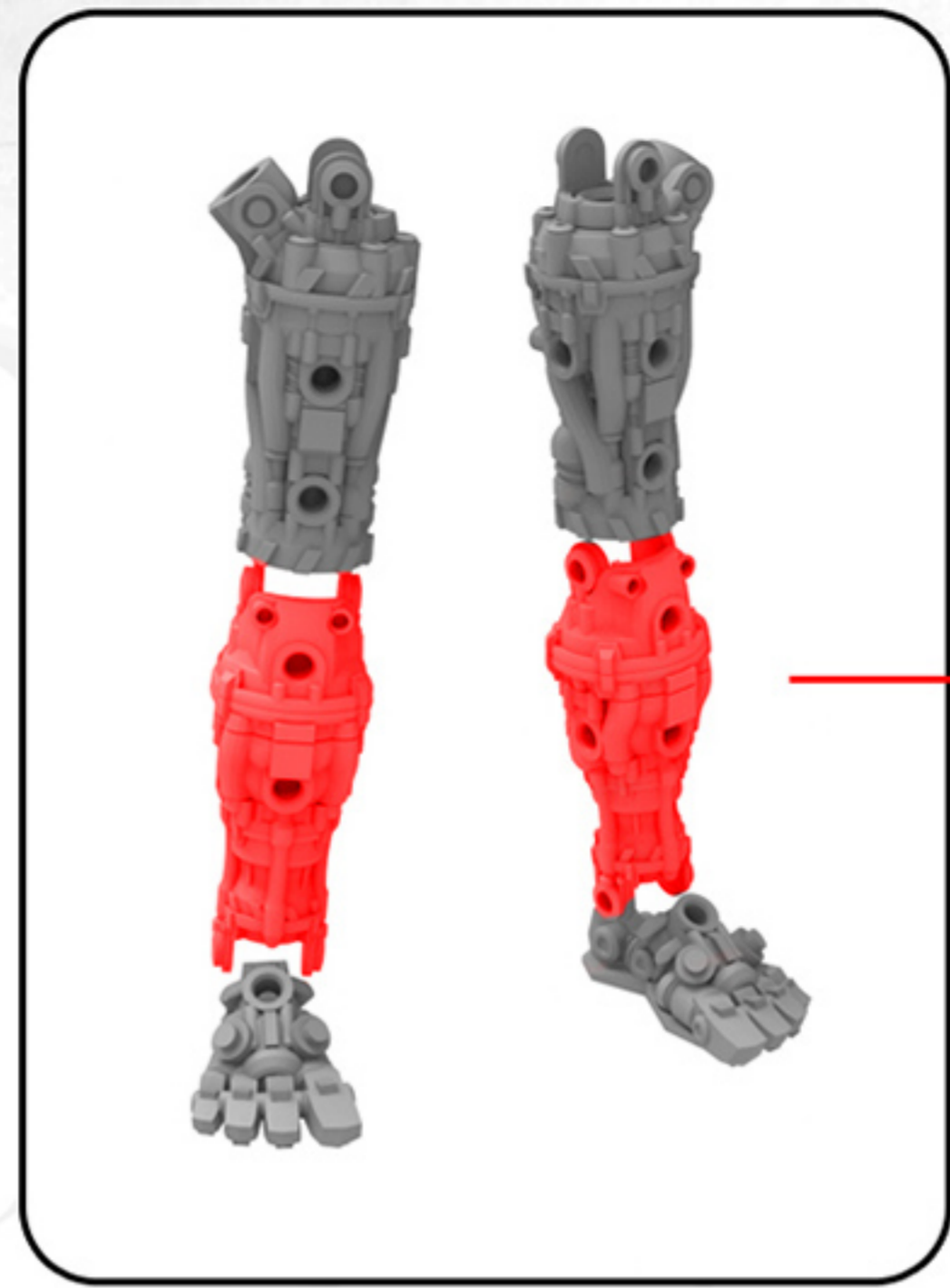
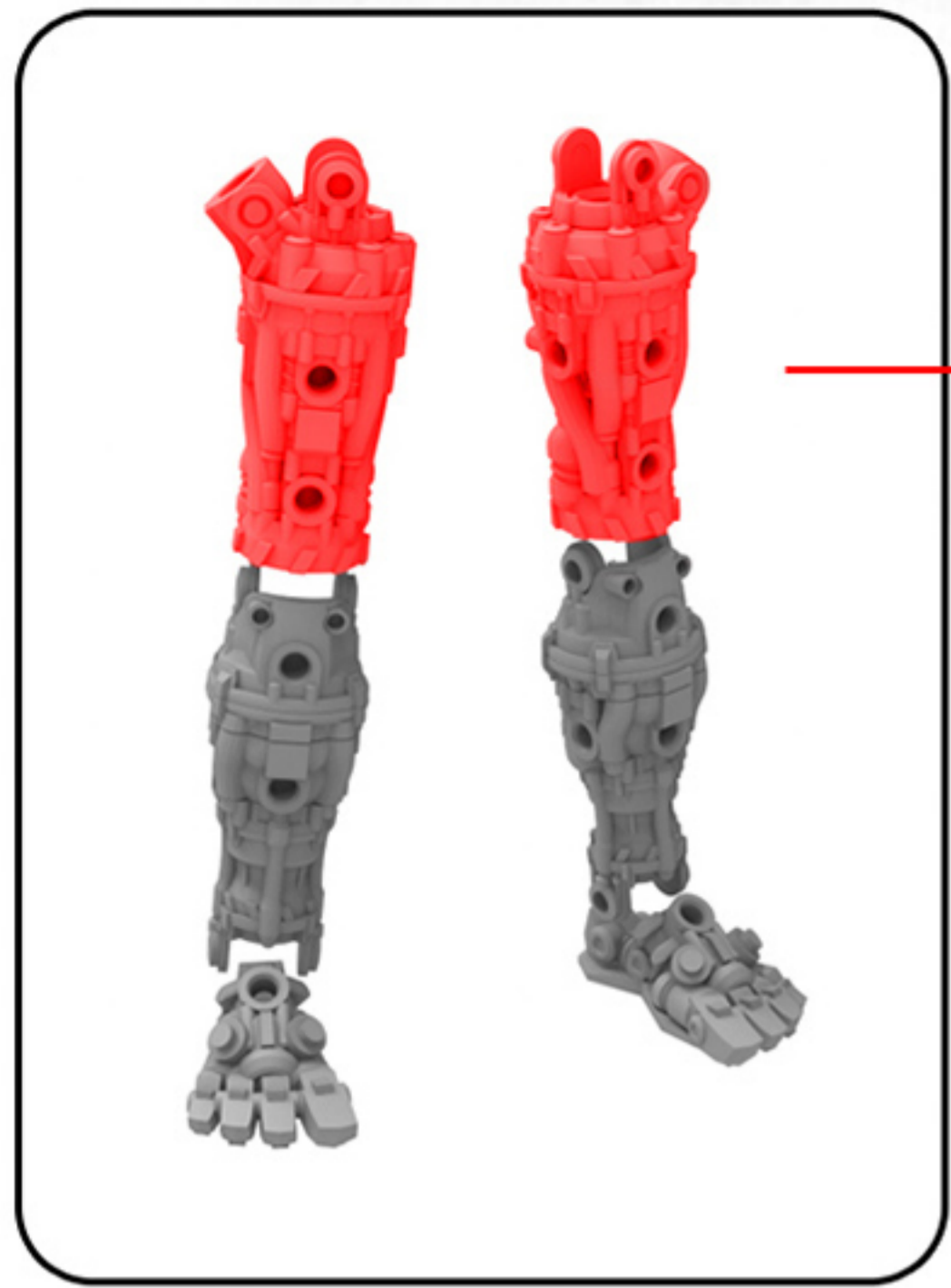
LEFT SHIN GUIDEPIPE

RIGHT SHIN GUIDEPIPE

LEFT FOOT

RIGHT FOOT

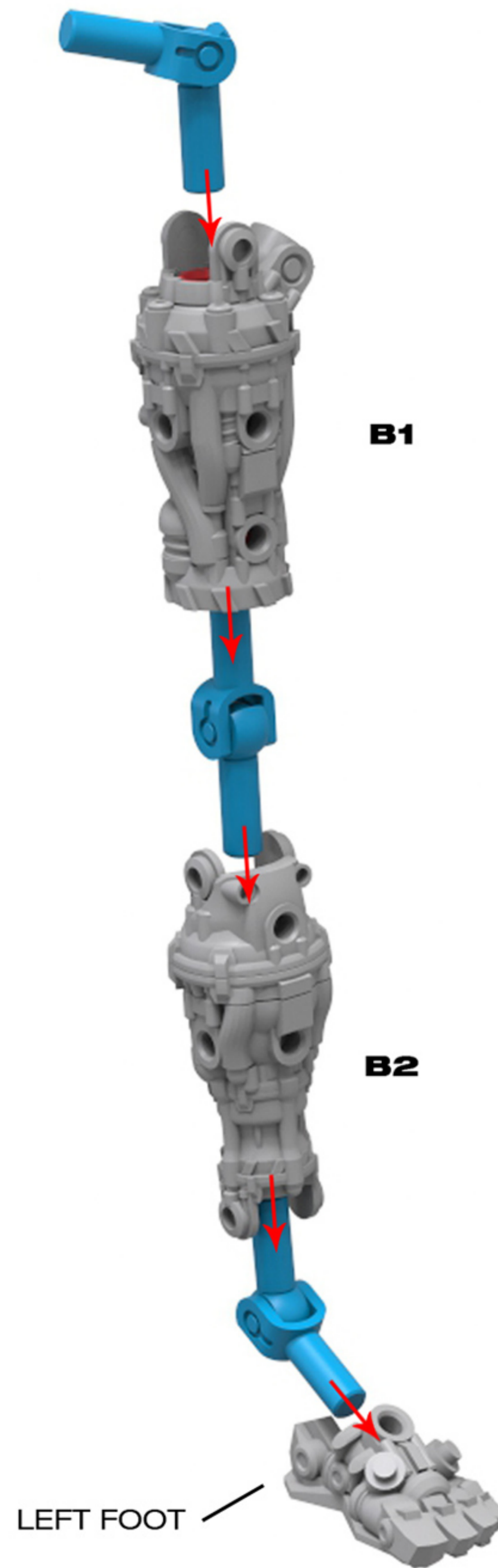




RIGHT



LEFT





# ARM PRINTING CHECKLIST

LEFT UPPER BICEP

RIGHT UPPER BICEP

LEFT MID BICEP

RIGHT MID BICEP

LEFT LOWER BICEP

RIGHT LOWER BICEP

LEFT BICEP GUIDEPIPE

RIGHT BICEP GUIDEPIPE

LEFT UPPER FOREARM

RIGHT UPPER FOREARM

LEFT MID FOREARM

RIGHT MID FOREARM

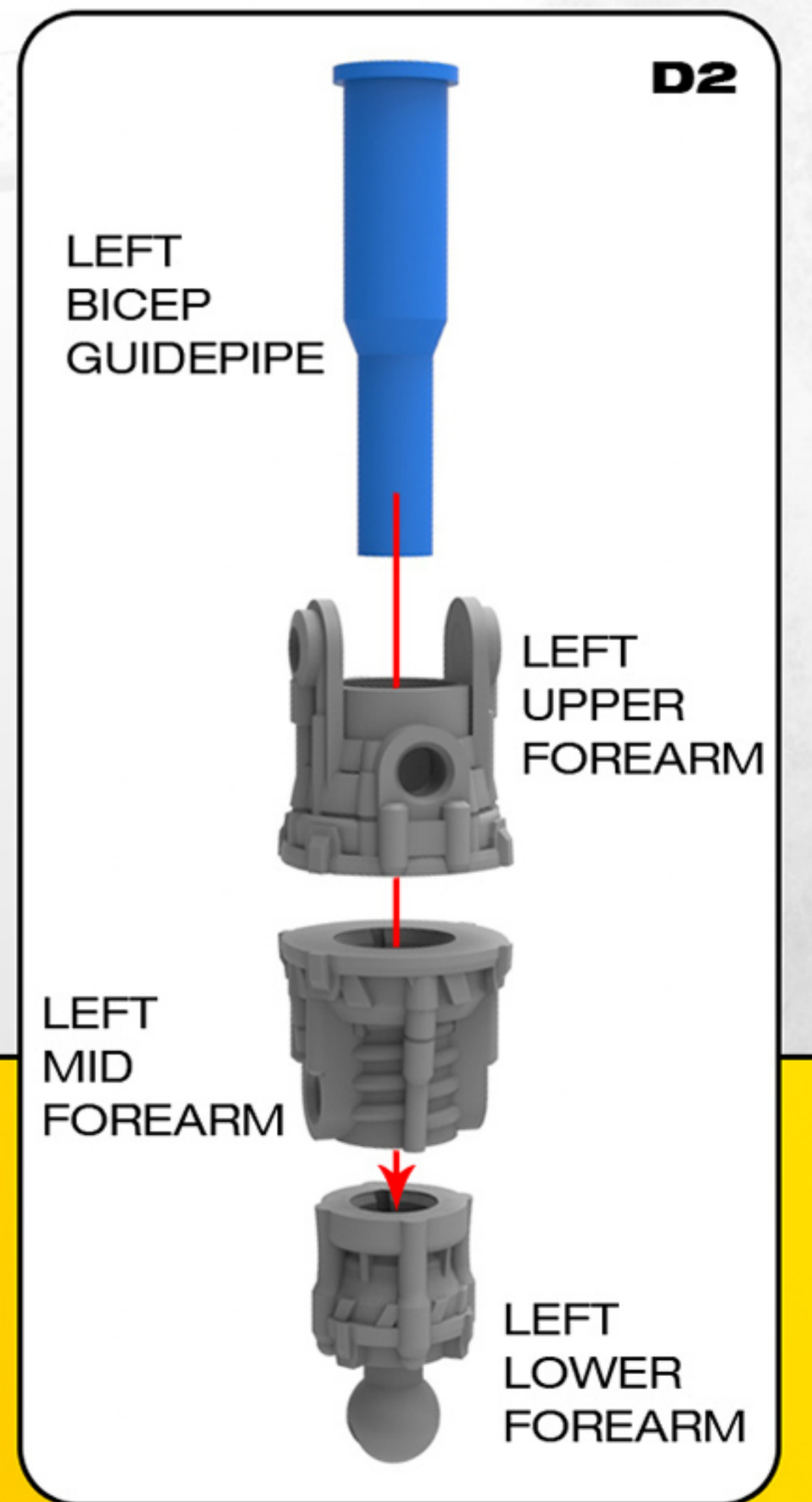
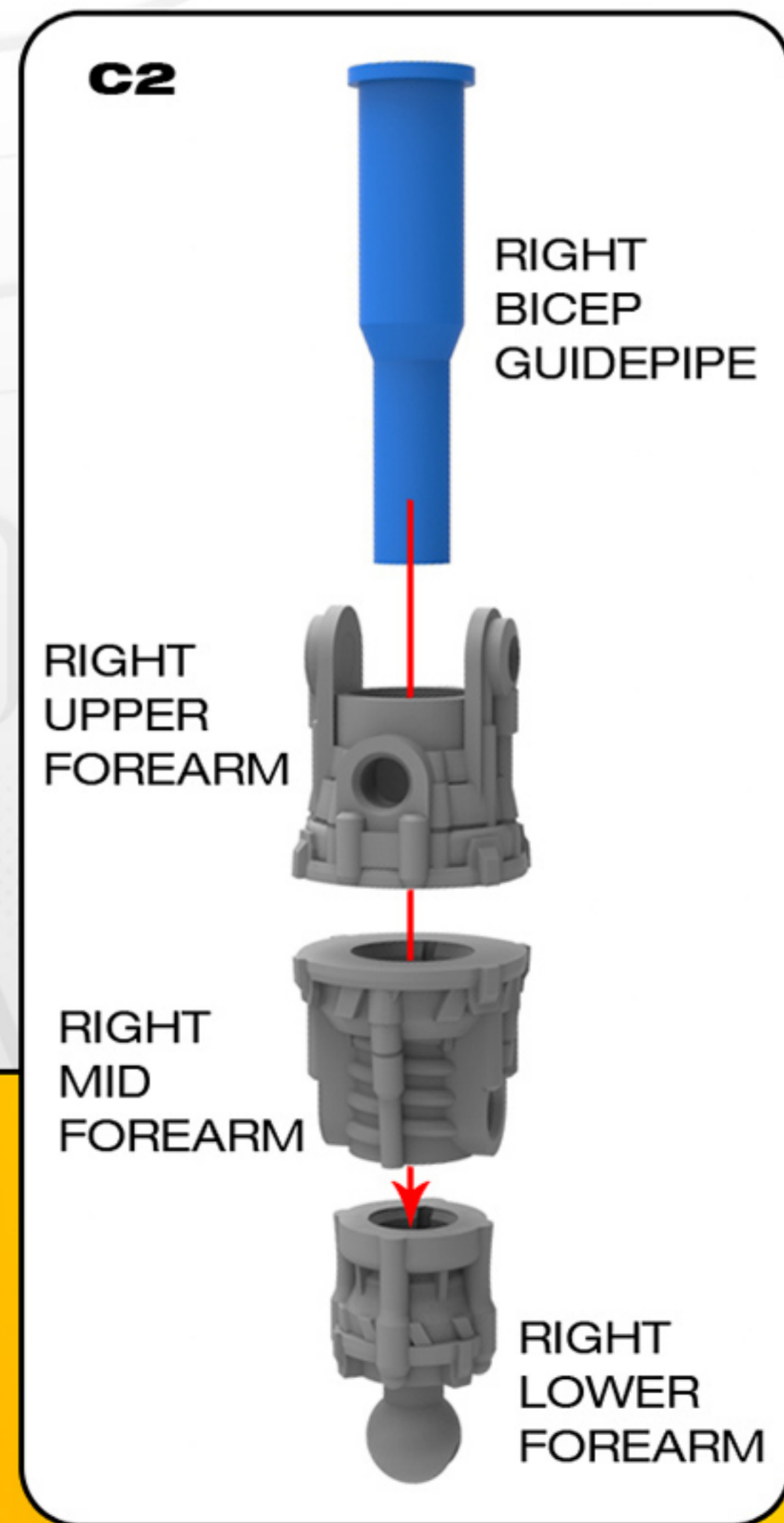
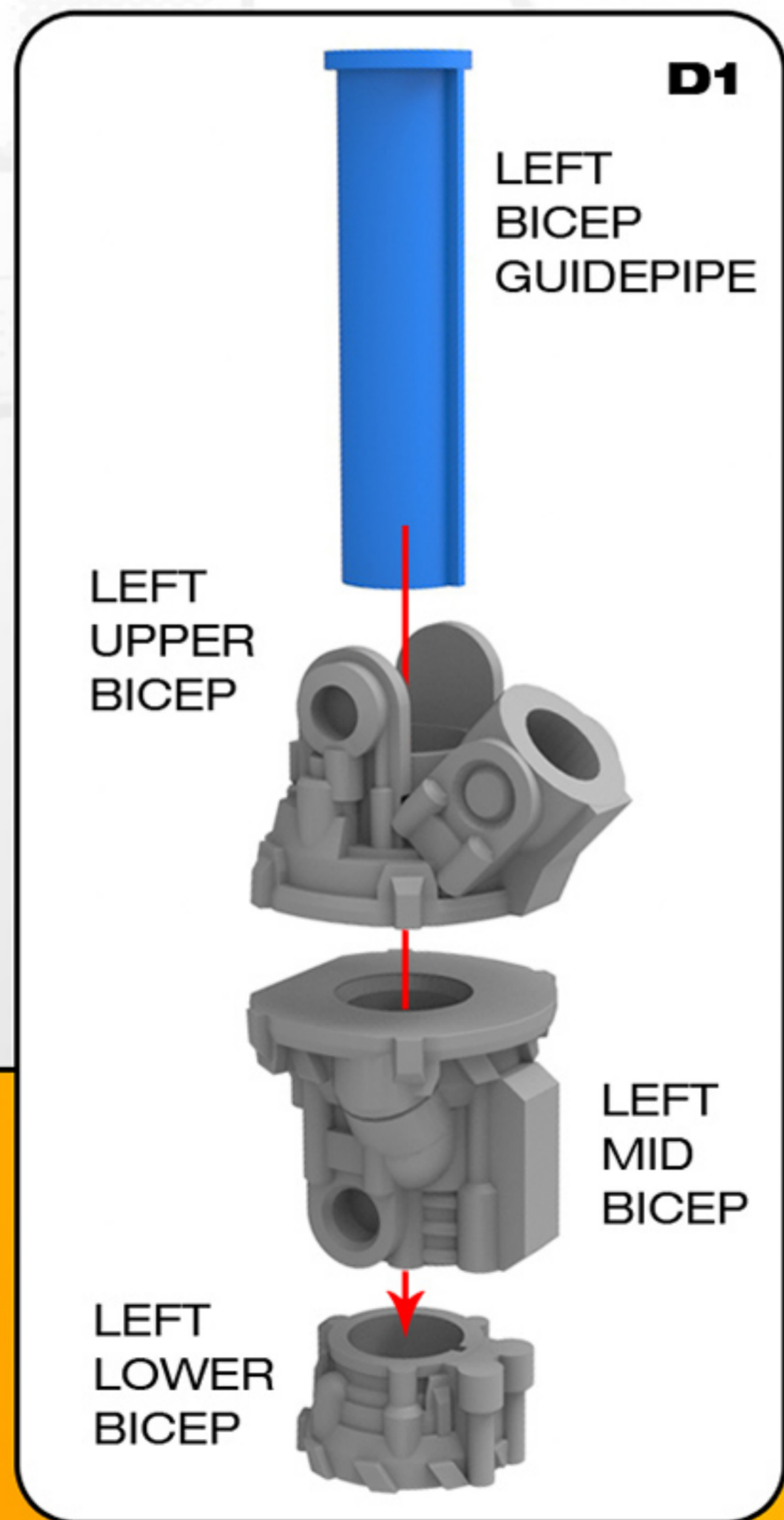
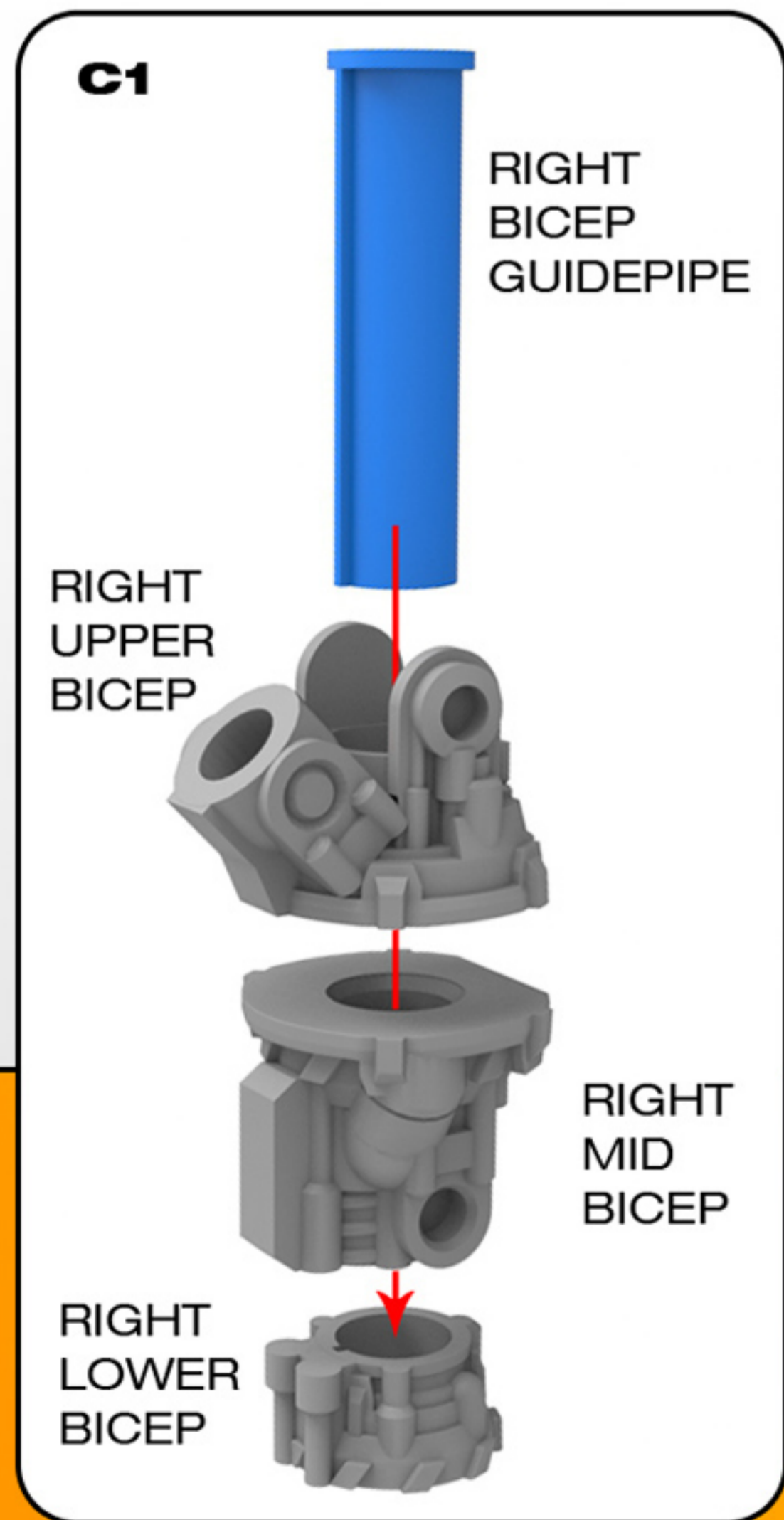
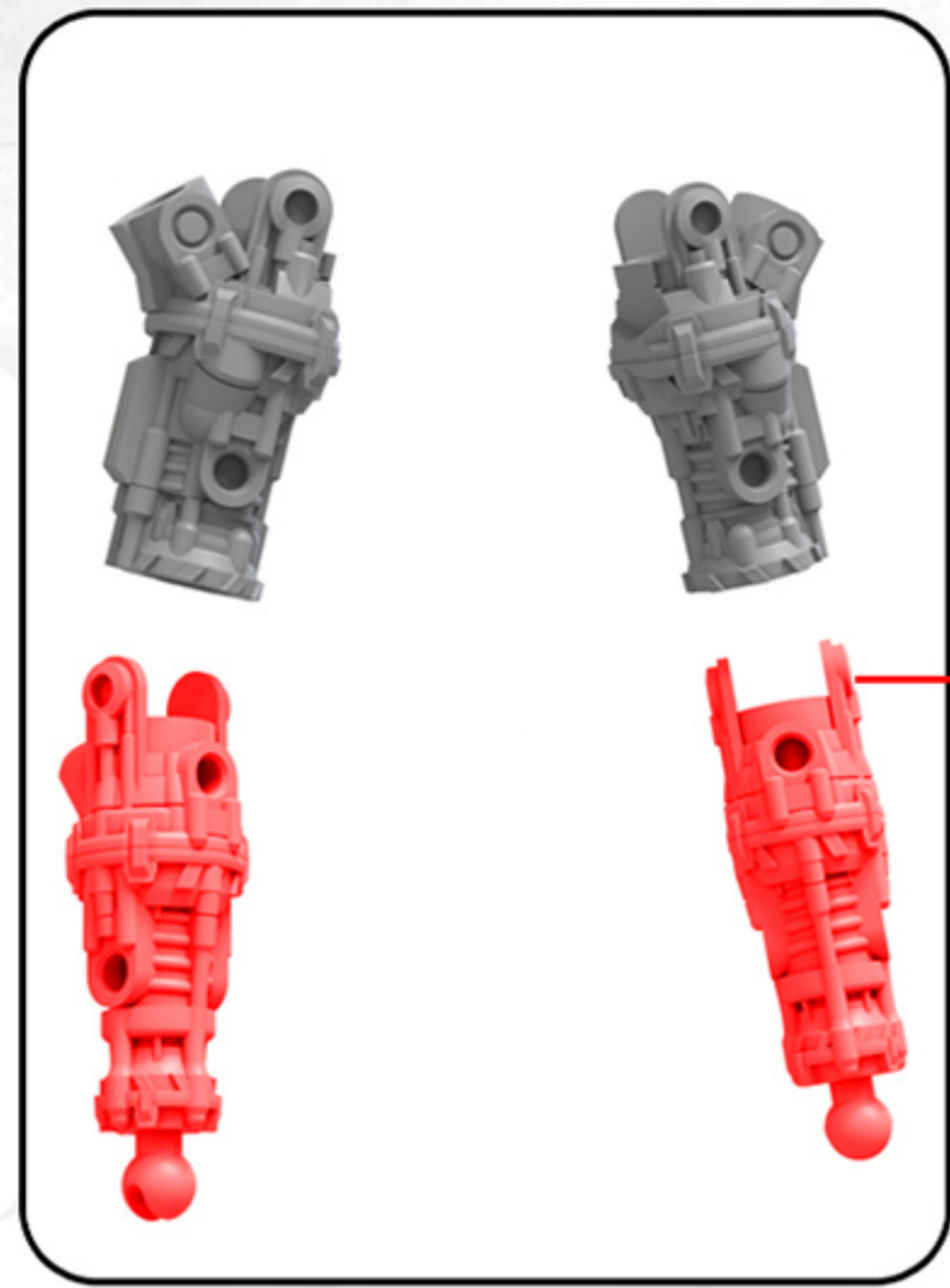
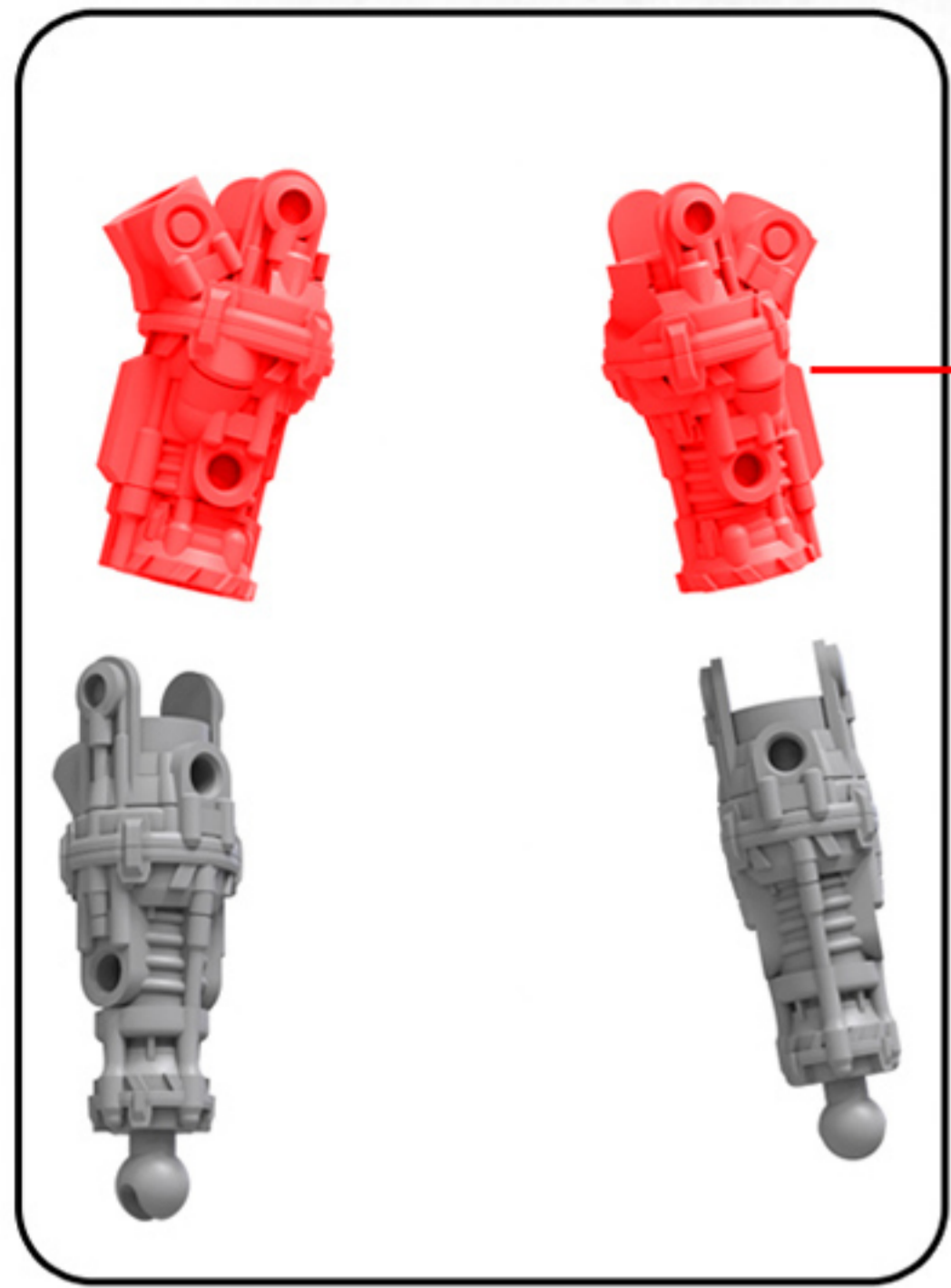
LEFT LOWER FOREARM

RIGHT LOWER FOREARM

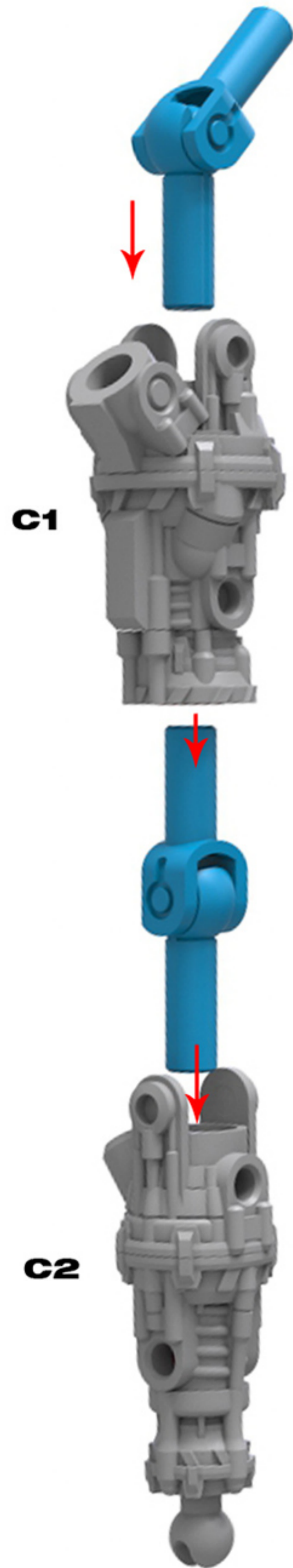
LEFT FOREARM GUIDEPIPE

RIGHT FOREARM GUIDEPIPE

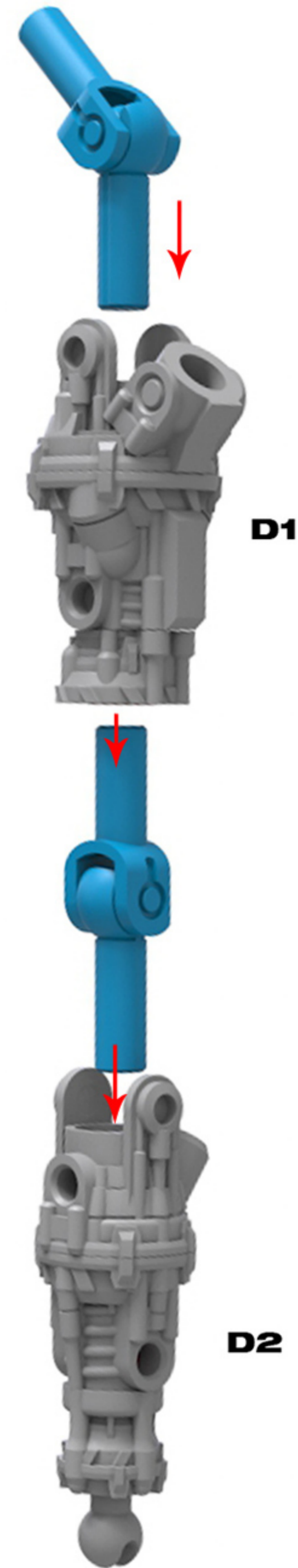




RIGHT



LEFT



# PELVIS PRINTING CHECKLIST

HIP CENTER V2

LEFT HIP DISK

RIGHT HIP DISK

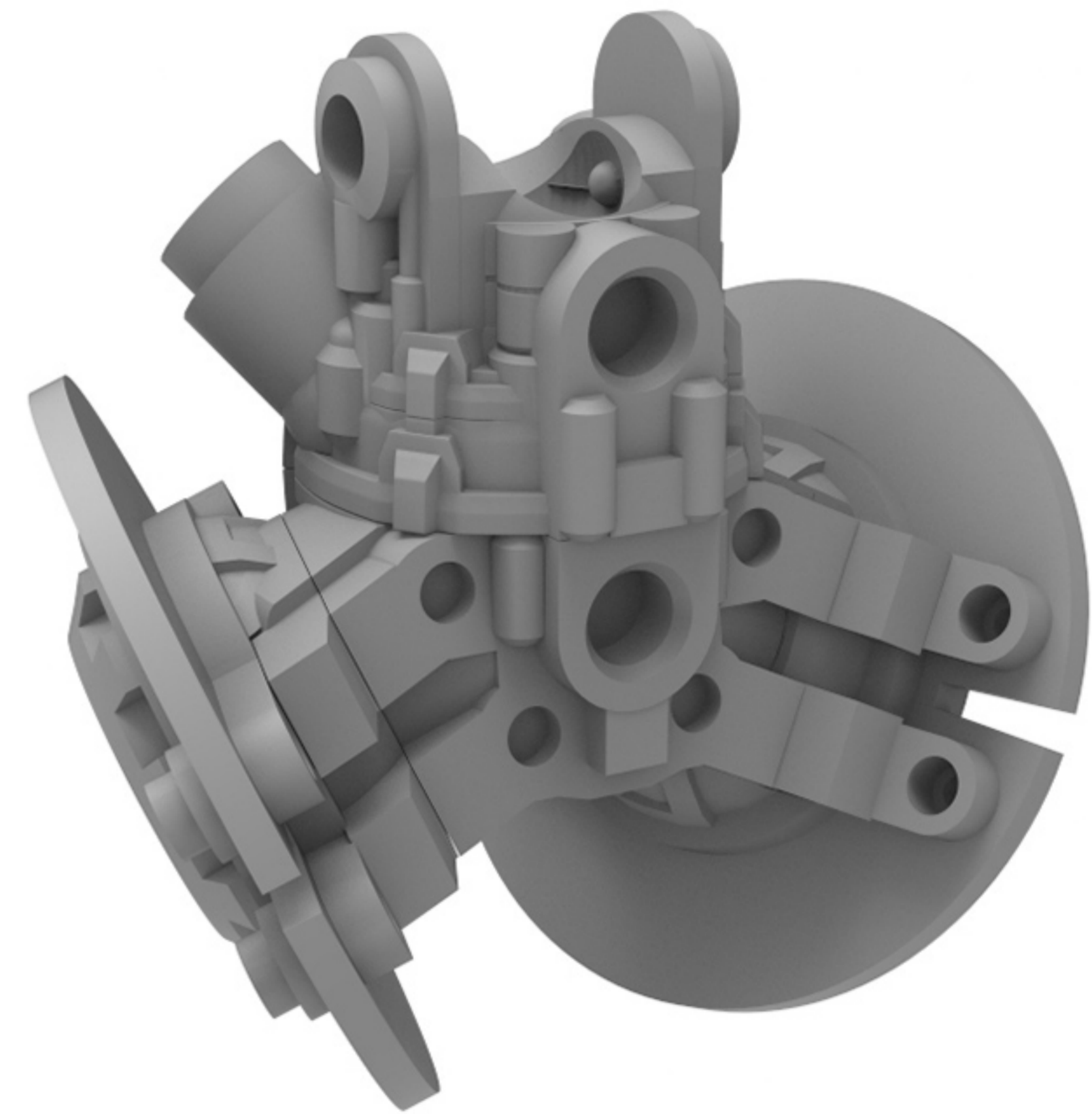
LEFT HIP DISK BRACKET

RIGHT HIP DISK BRACKET

LEFT HIP GUIDEPIPE

RIGHT HIP GUIDEPIPE

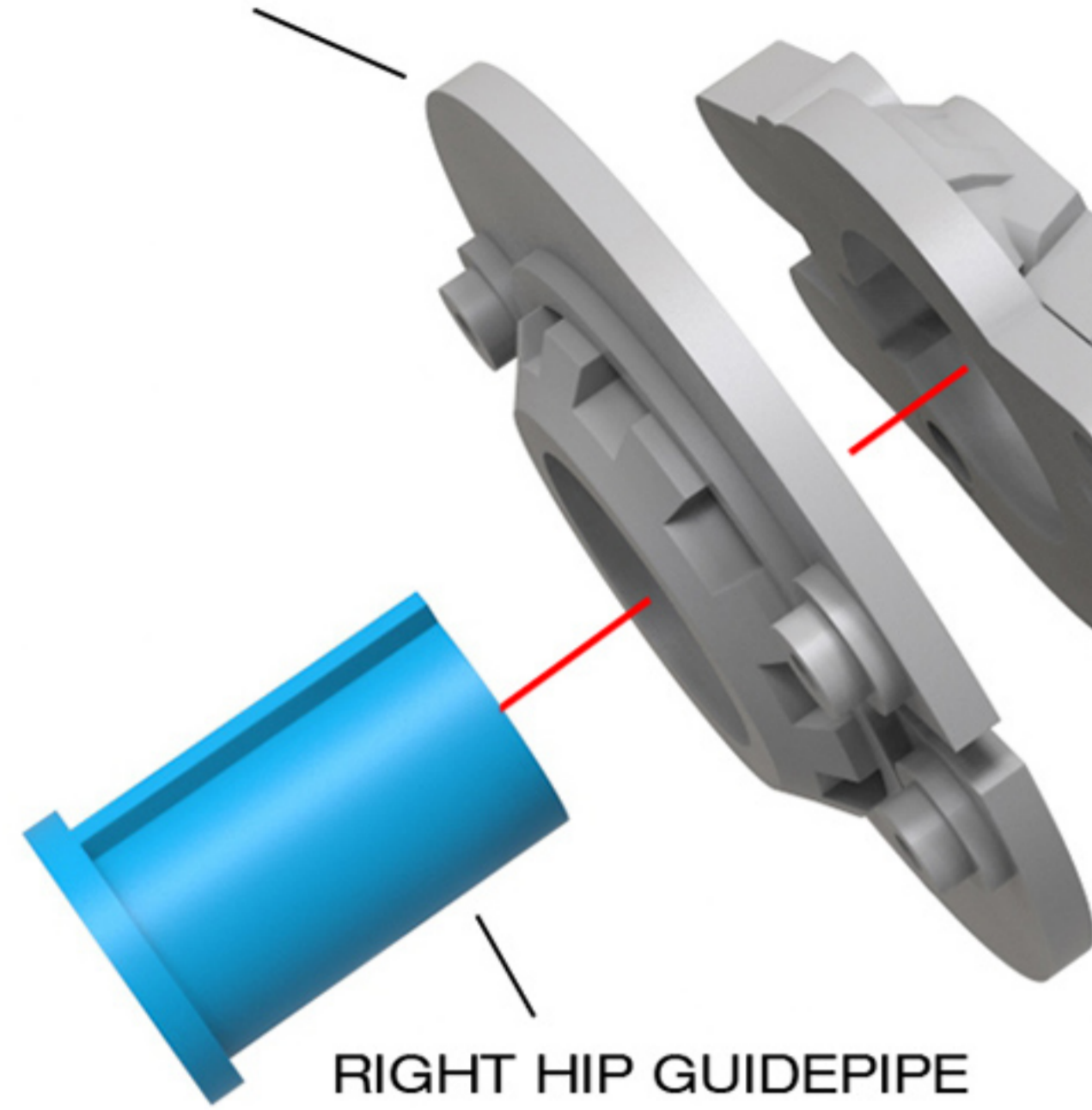
SPINE BASE V2



**E1**

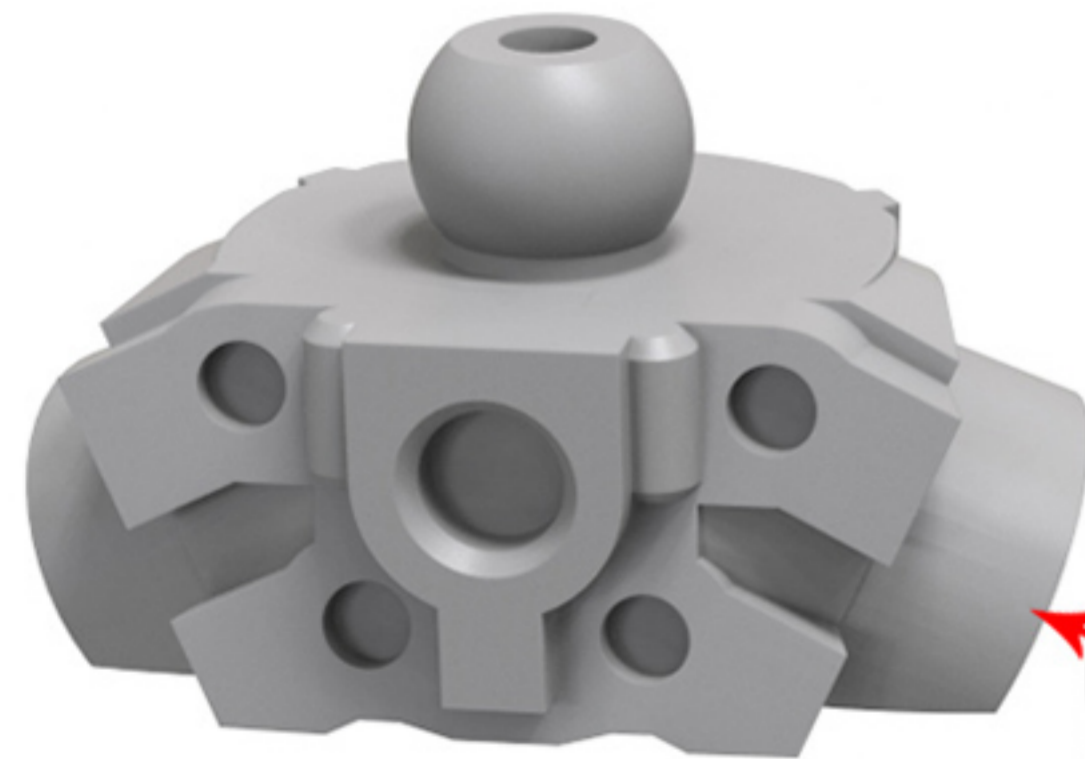
HIP CENTER V2

RIGHT HIP DISK



RIGHT HIP DISK BRACKET

RIGHT HIP GUIDEPIPE

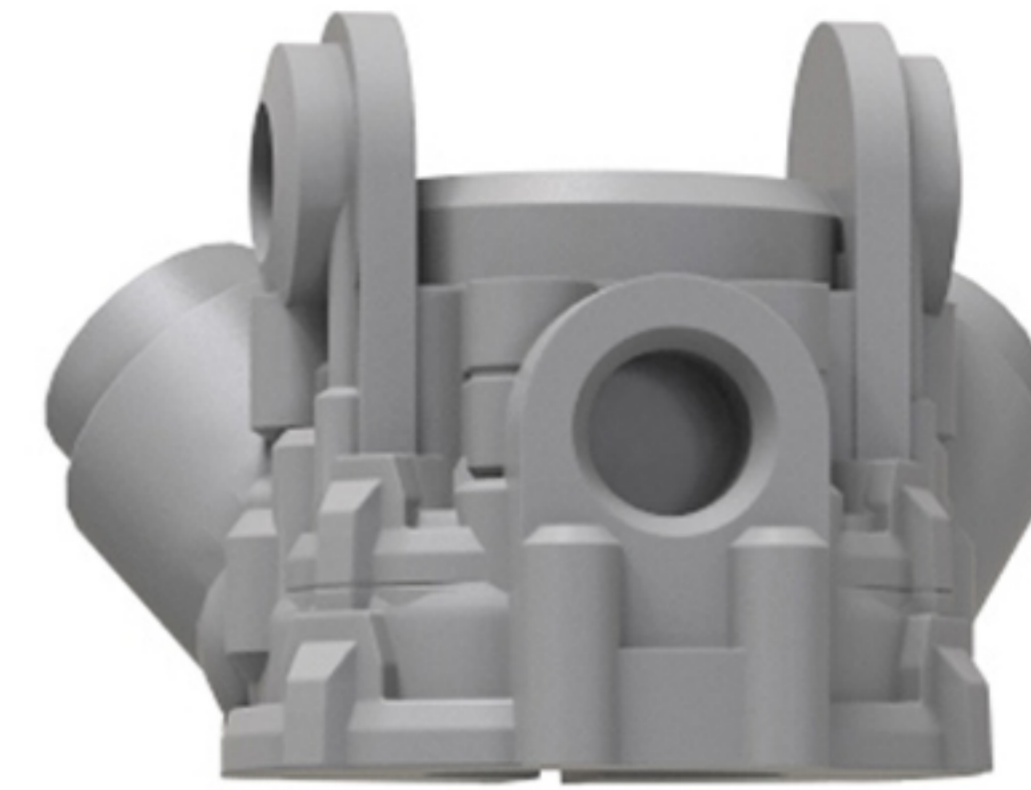
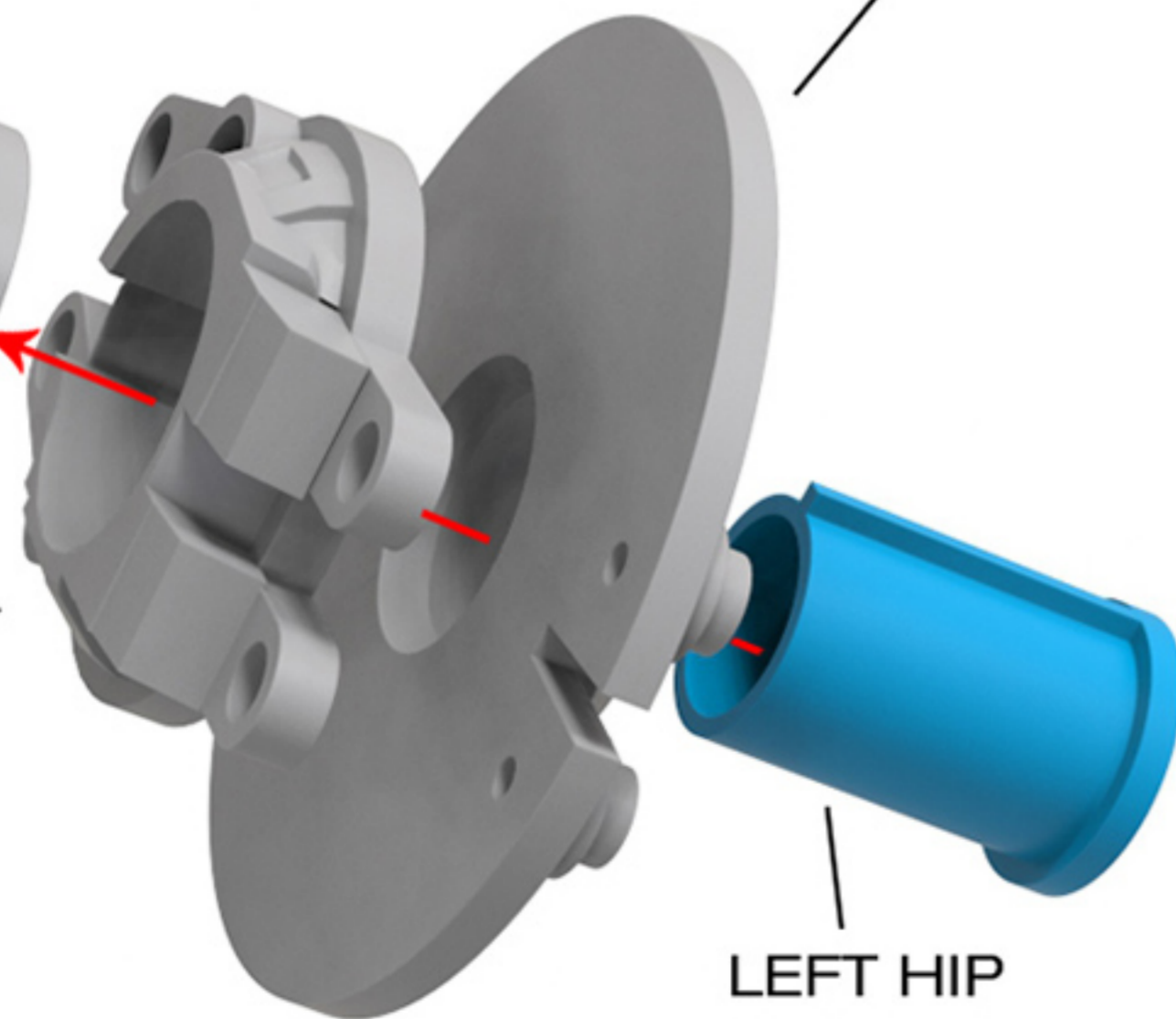


HIP CENTER V2

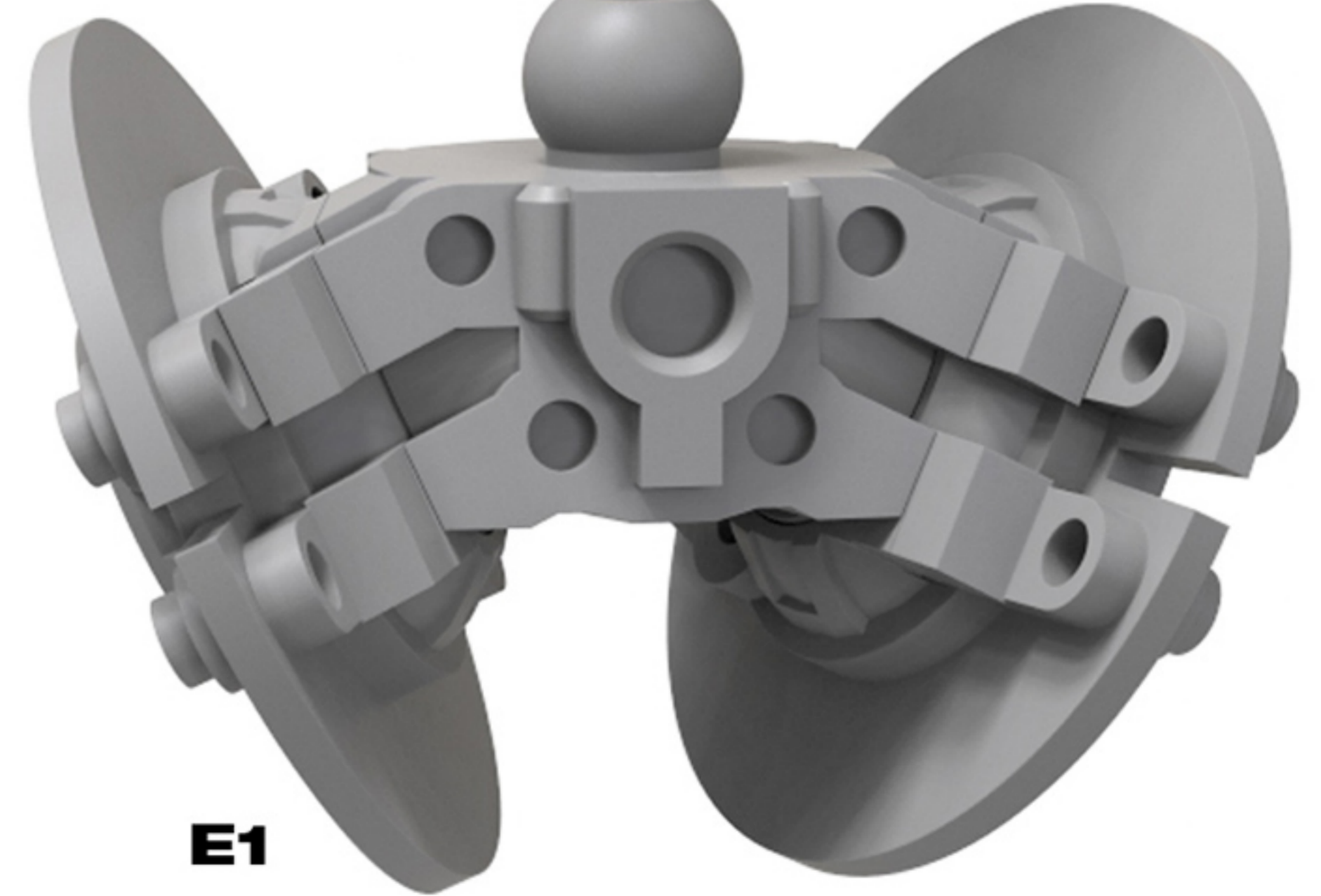
LEFT HIP DISK

LEFT HIP DISK BRACKET

LEFT HIP GUIDEPIPE



SPINE BASE V2



**E1**

# SPINE PRINTING CHECKLIST

TOP SPINE COVER V2

MID SPINE COVER V2

LOW SPINE COVER V2

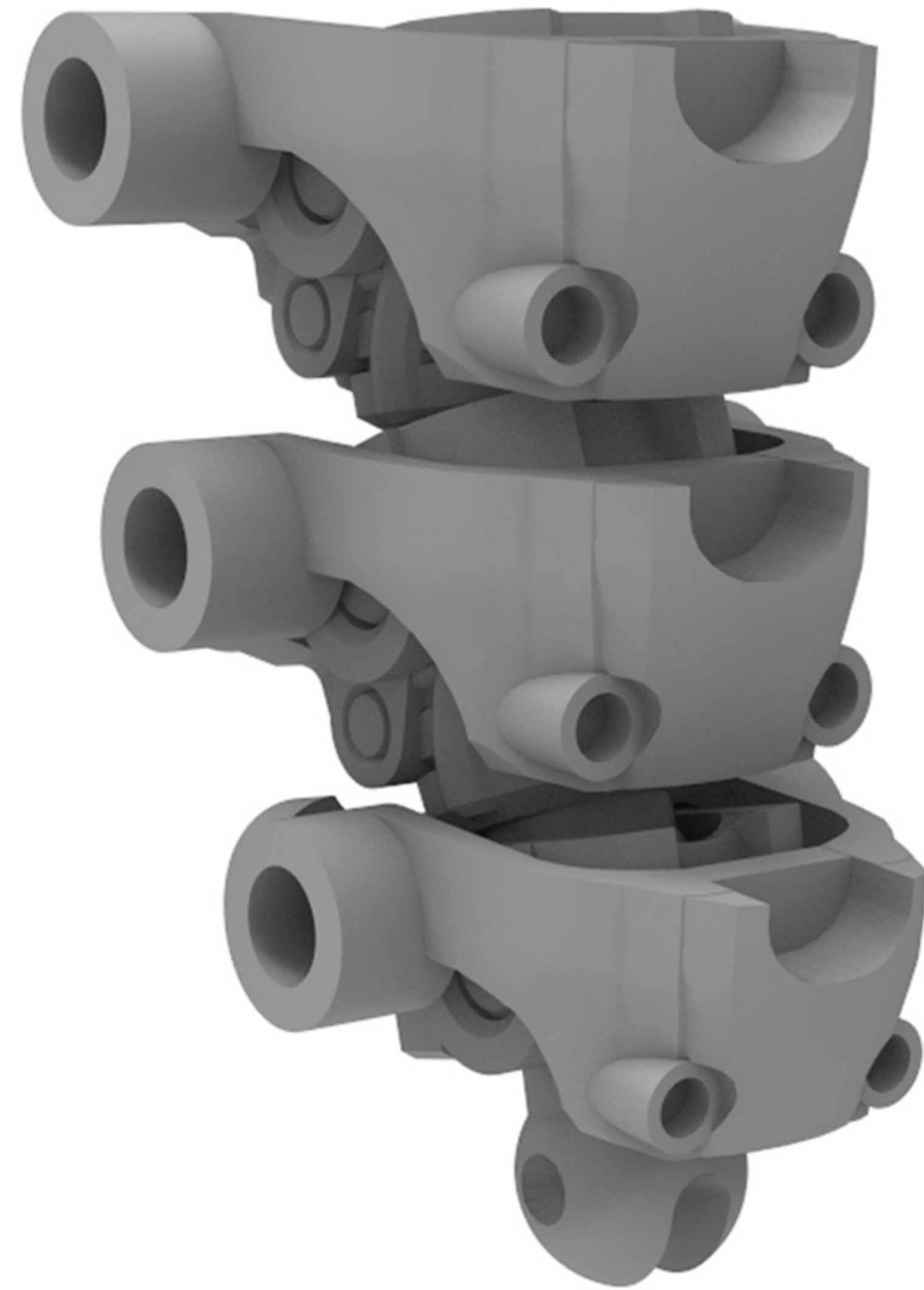
TOP SPINE SEGMENT V2

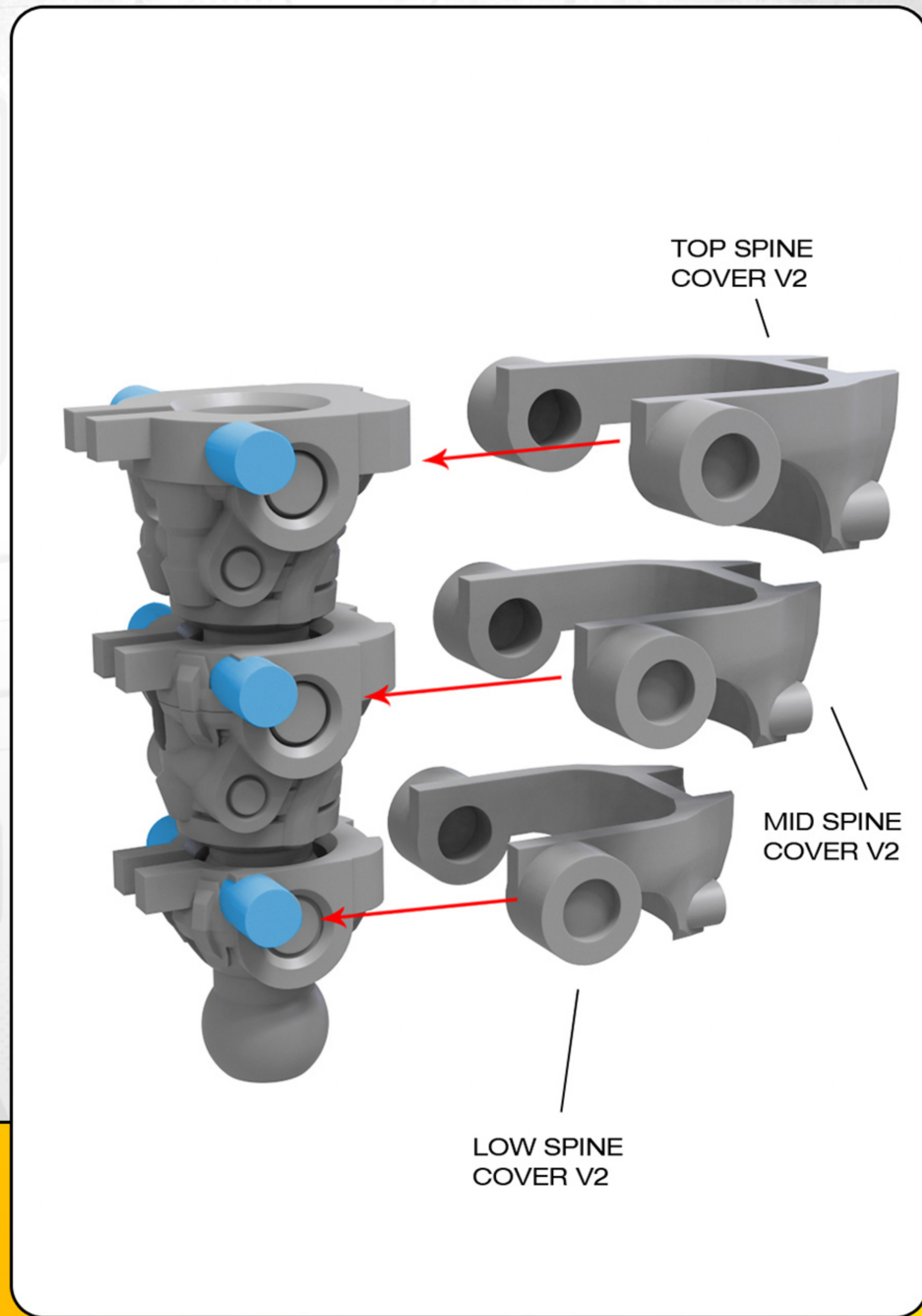
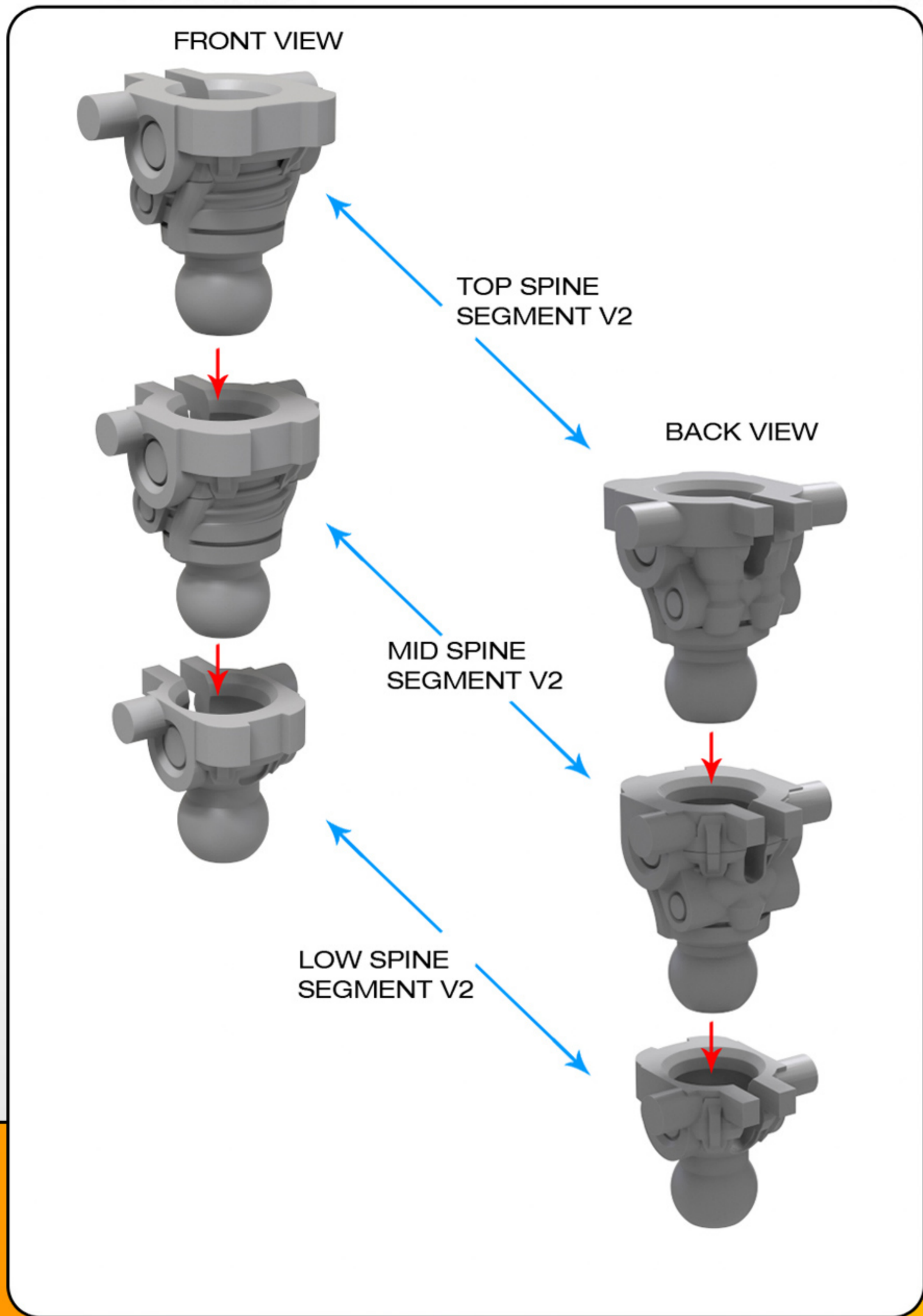
MID SPINE SEGMENT V2

LOW SPINE SEGMENT V2

*OPTIONAL (PLEASE REFER TO EXTRAS PG 21)*

*1mm DIAMETER BENDABLY WIRE x 10cm length*





# TORSO PRINTING CHECKLIST

BACKPACK TOP

BACKPACK BOTTOM V2

NECK BASE V2

CLAVICLE BAR

LEFT SHOULDER BLOCK

RIGHT SHOULDER BLOCK

LEFT SHOULDER ENDCOVER

RIGHT SHOULDER ENDCOVER

LEFT SHOULDER MECHA

RIGHT SHOULDER MECHA

SPINE TOP V2

TORSO FRONT MECHA

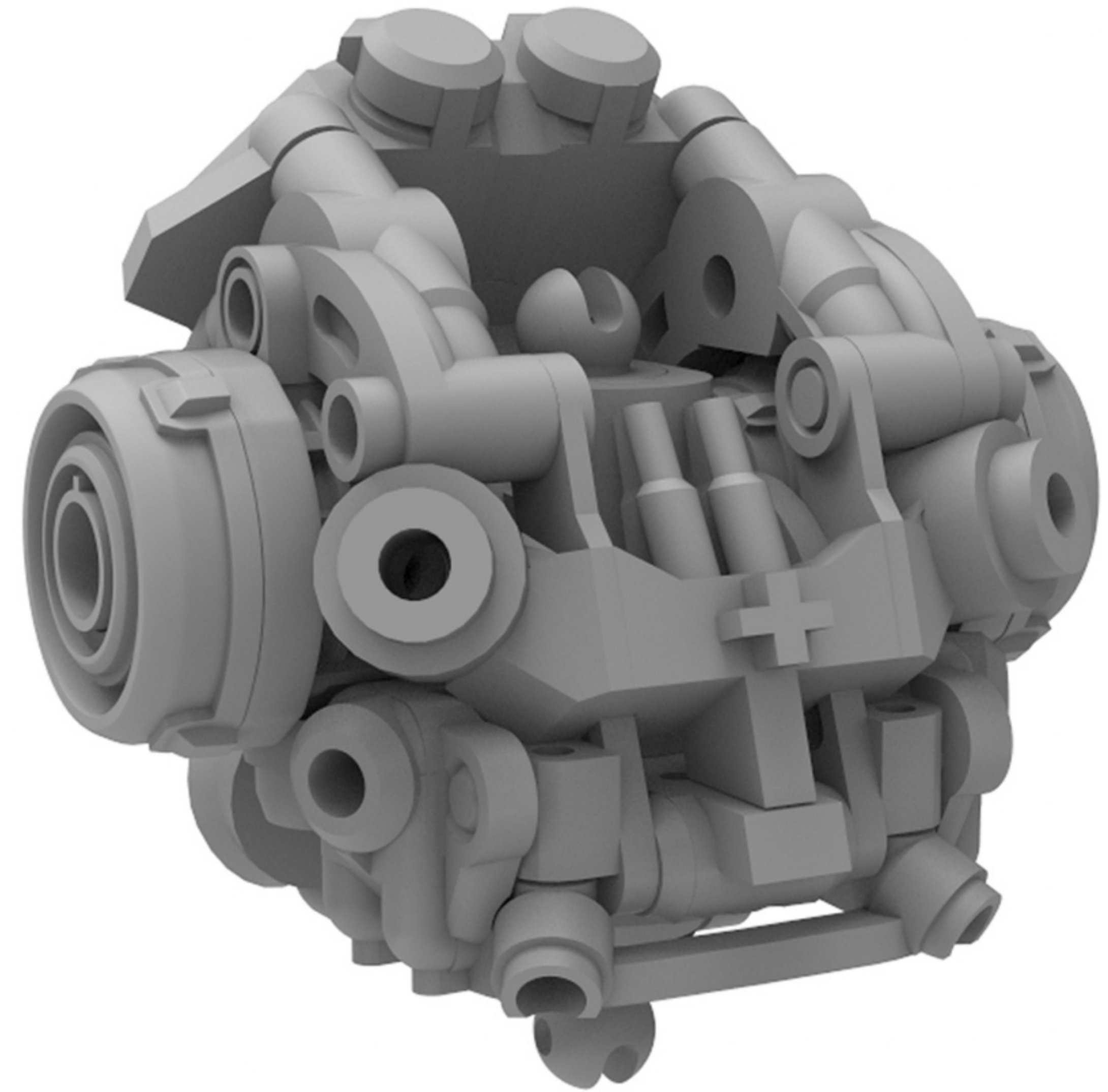
TORSO CENTER BLOCK

TORSO UNDERCARRIAGE

TORSO MID BRACKET

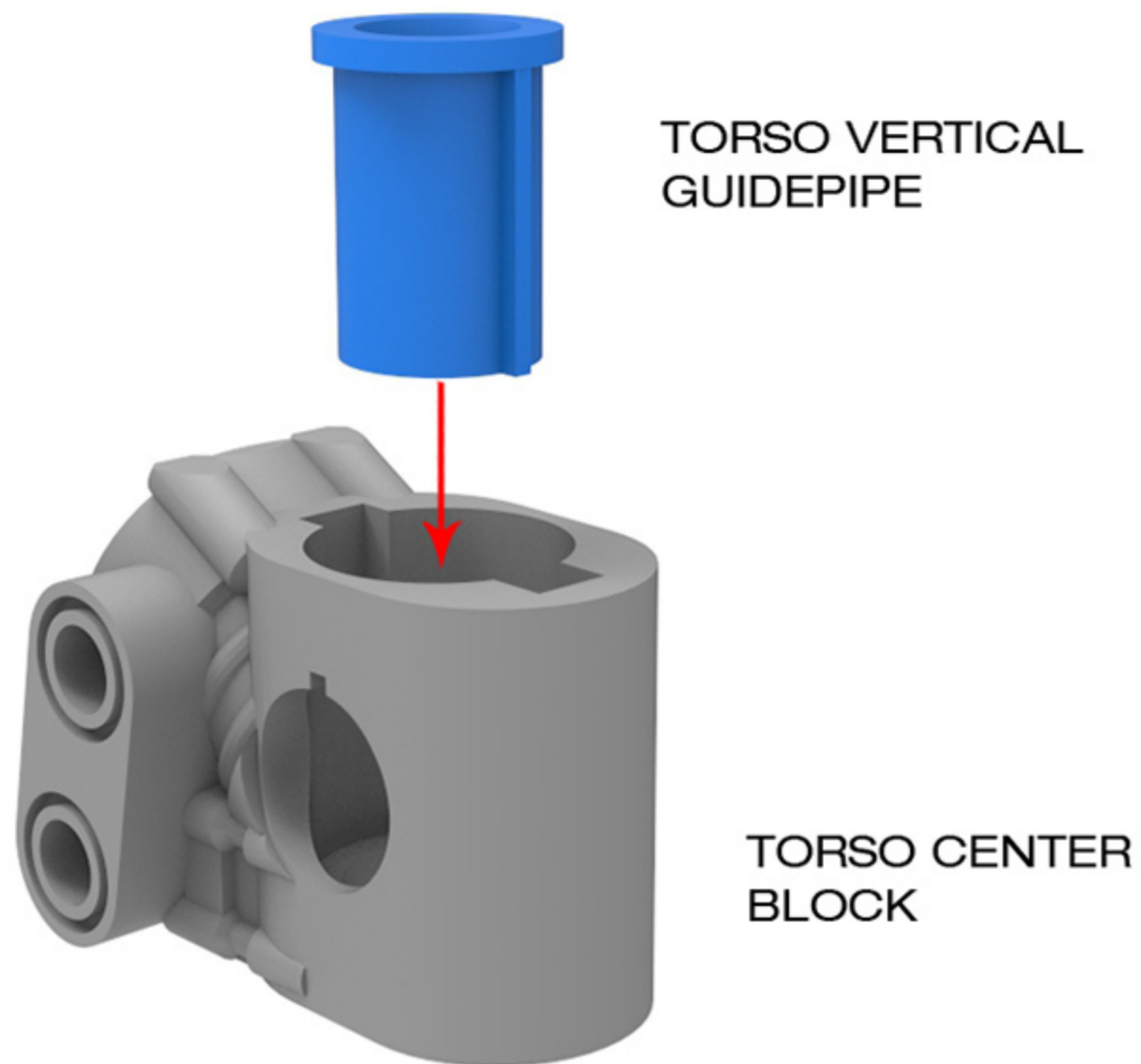
TORSO HORIZONTAL GUIDEPIPE

TORSO VERTICAL GUIDEPIPE

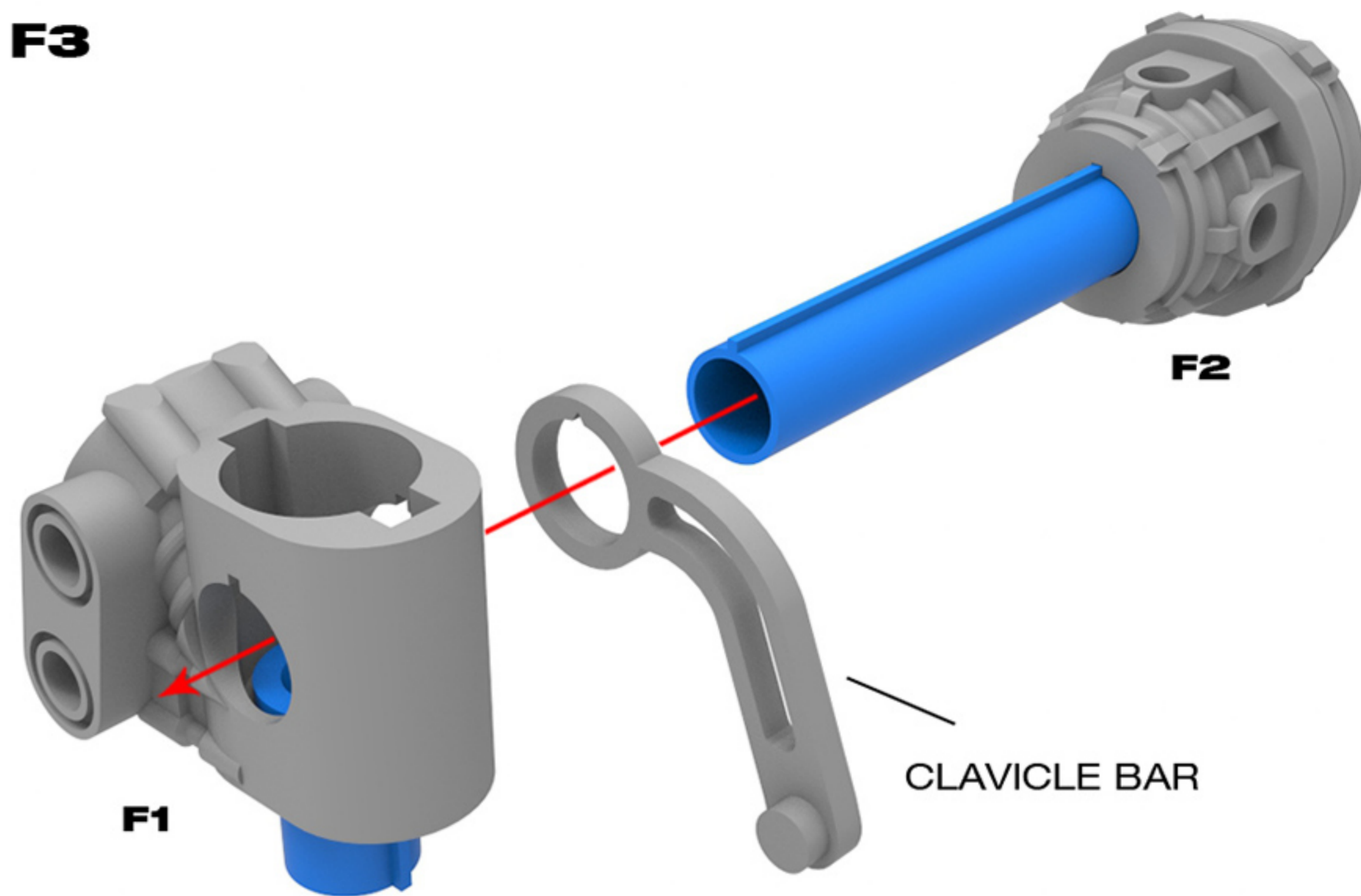




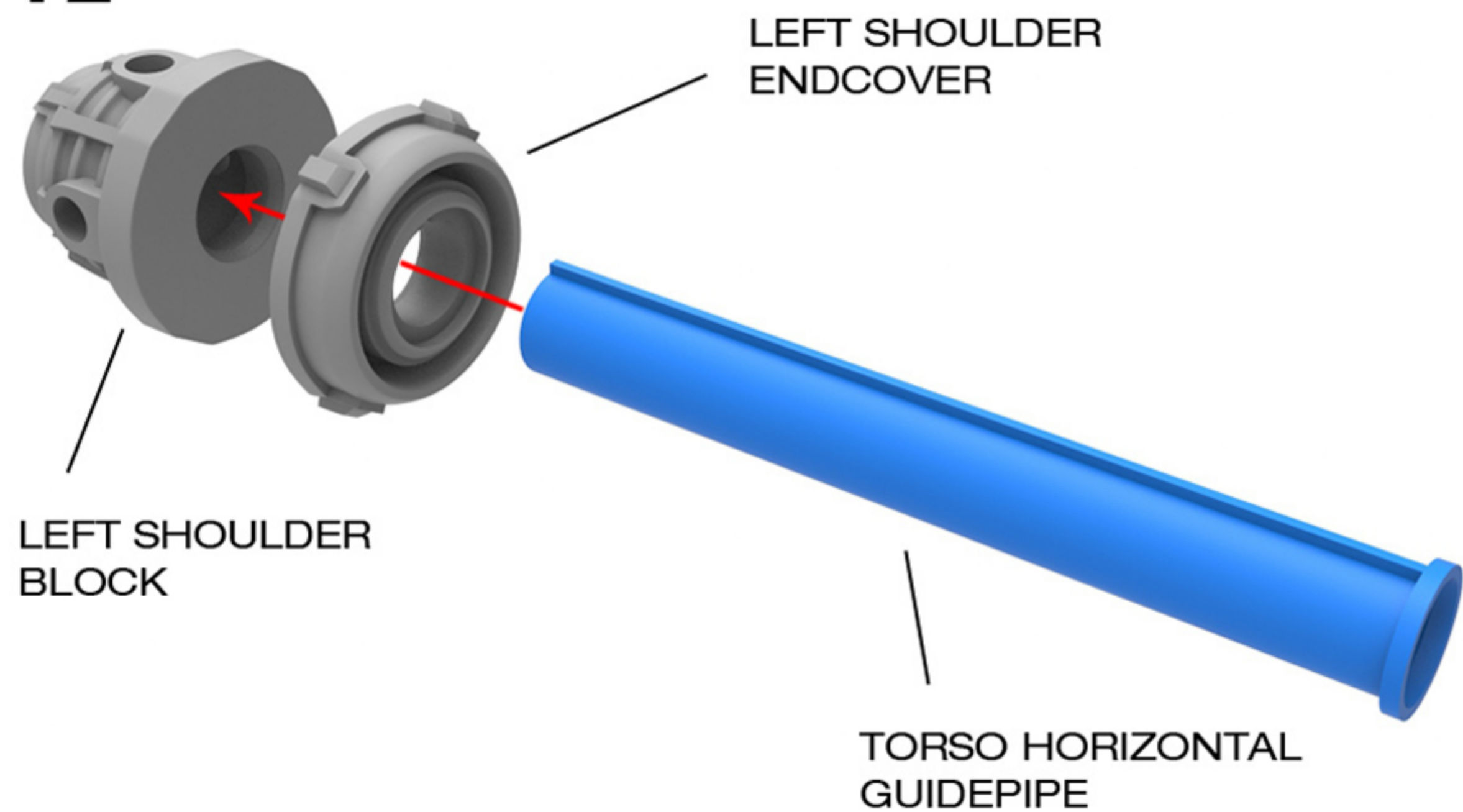
**F1**



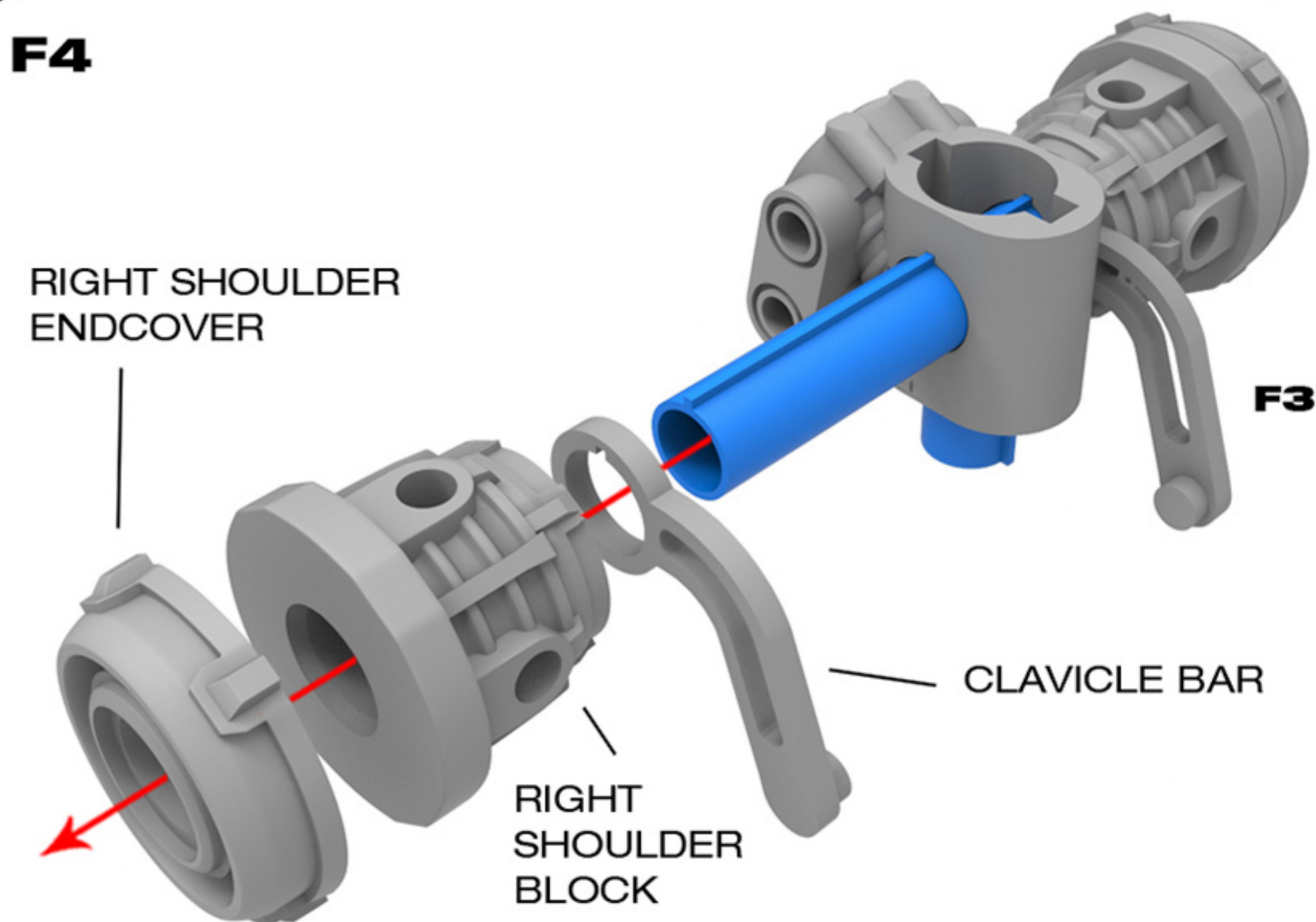
**F3**



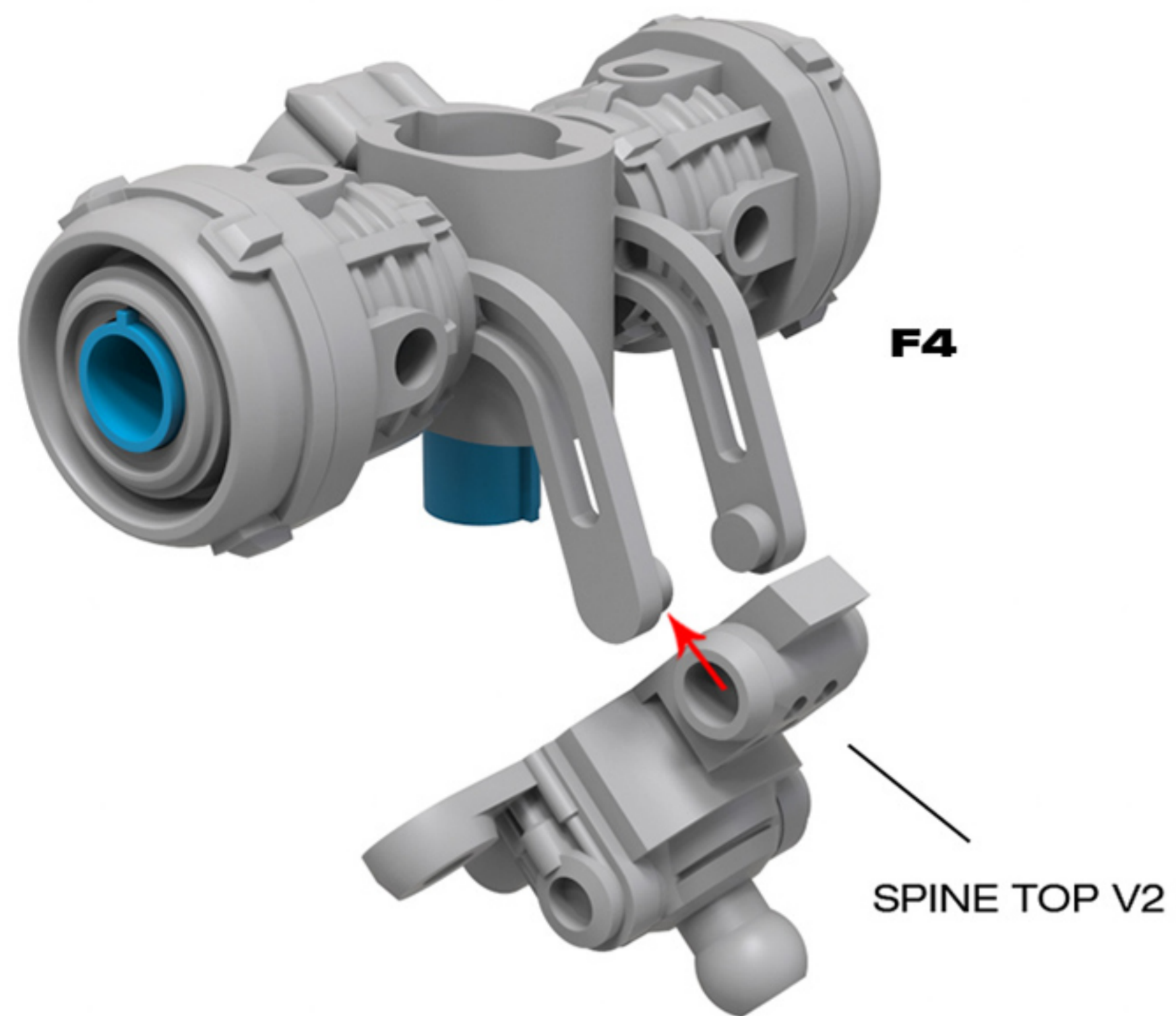
**F2**



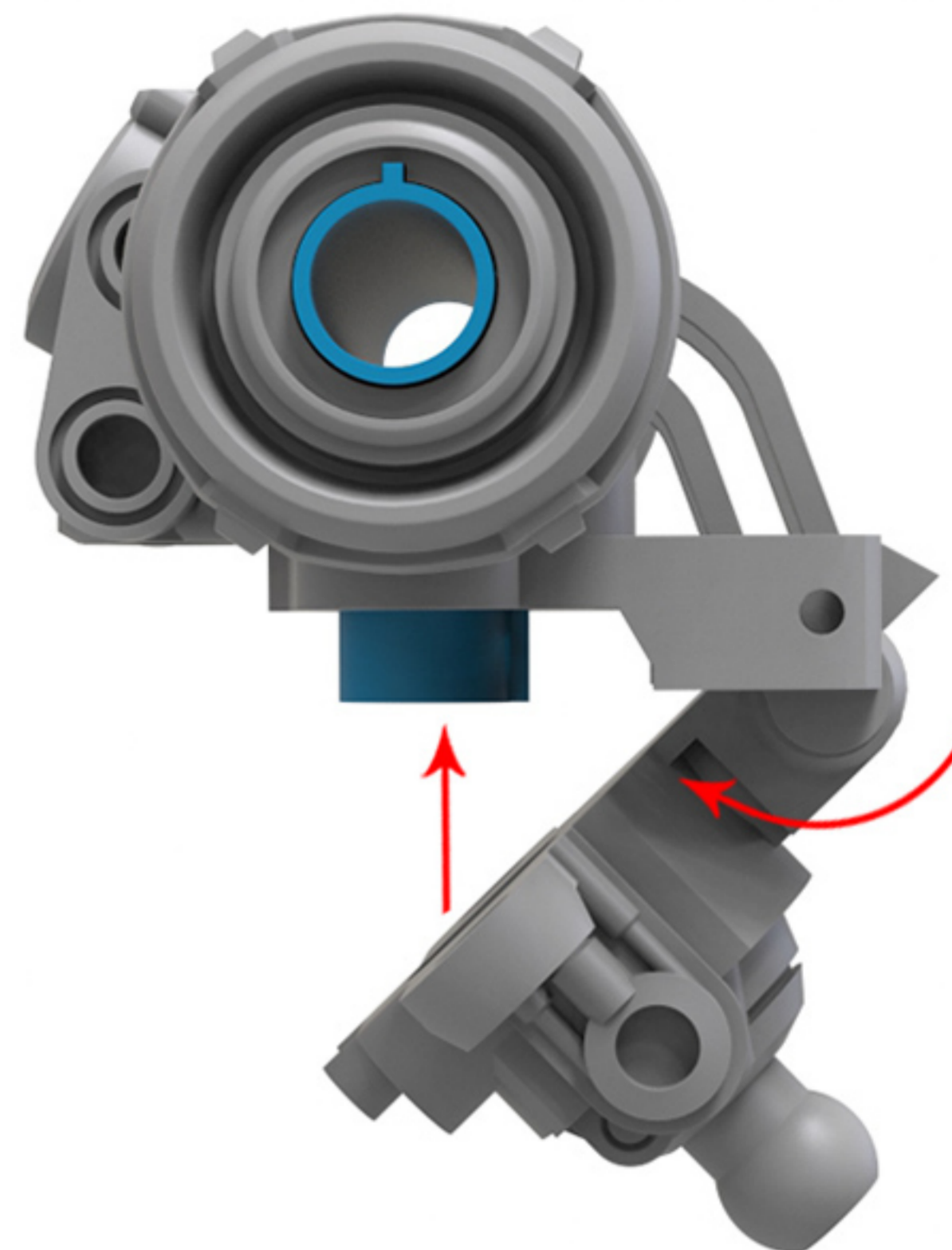
**F4**



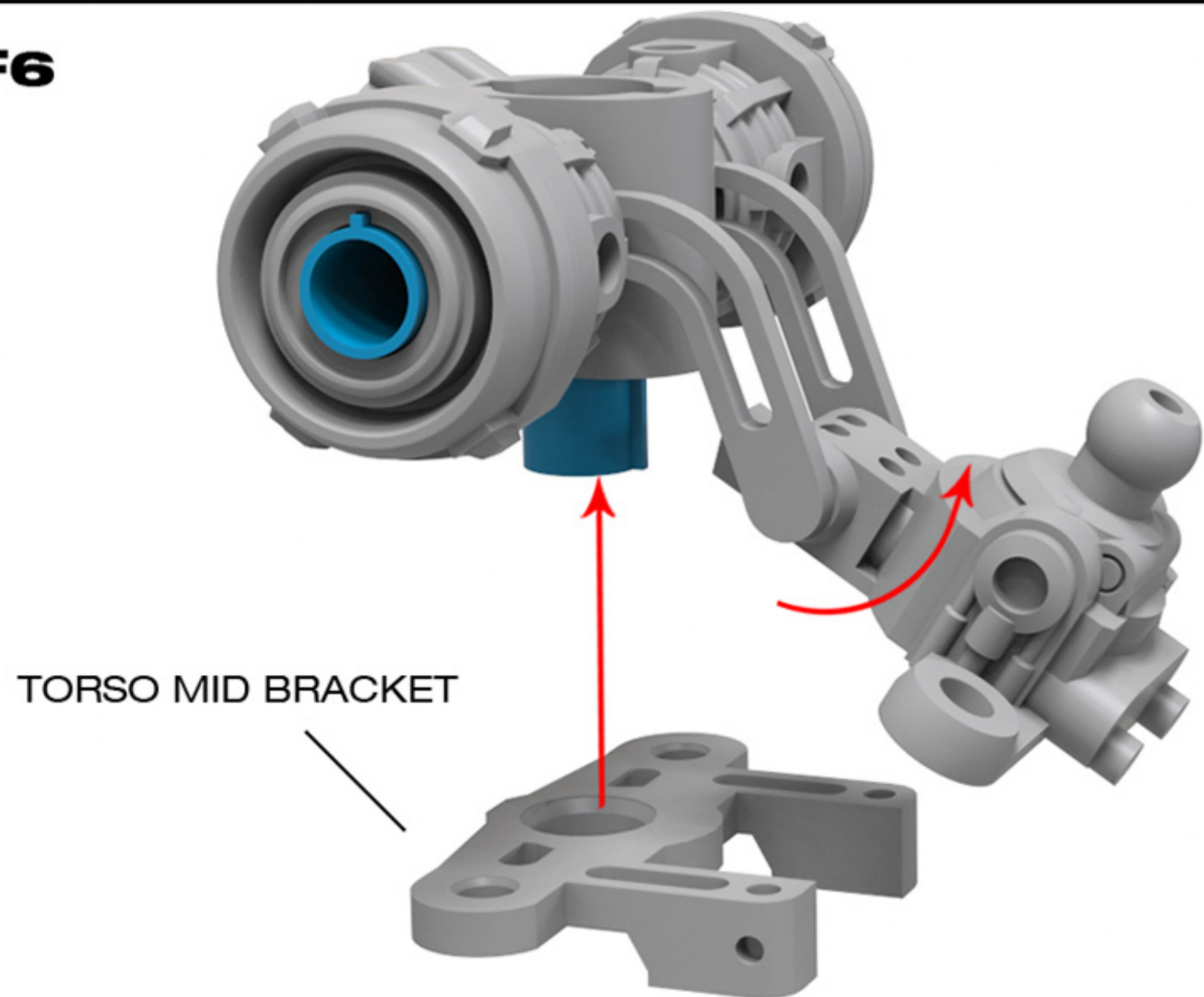
**F5**



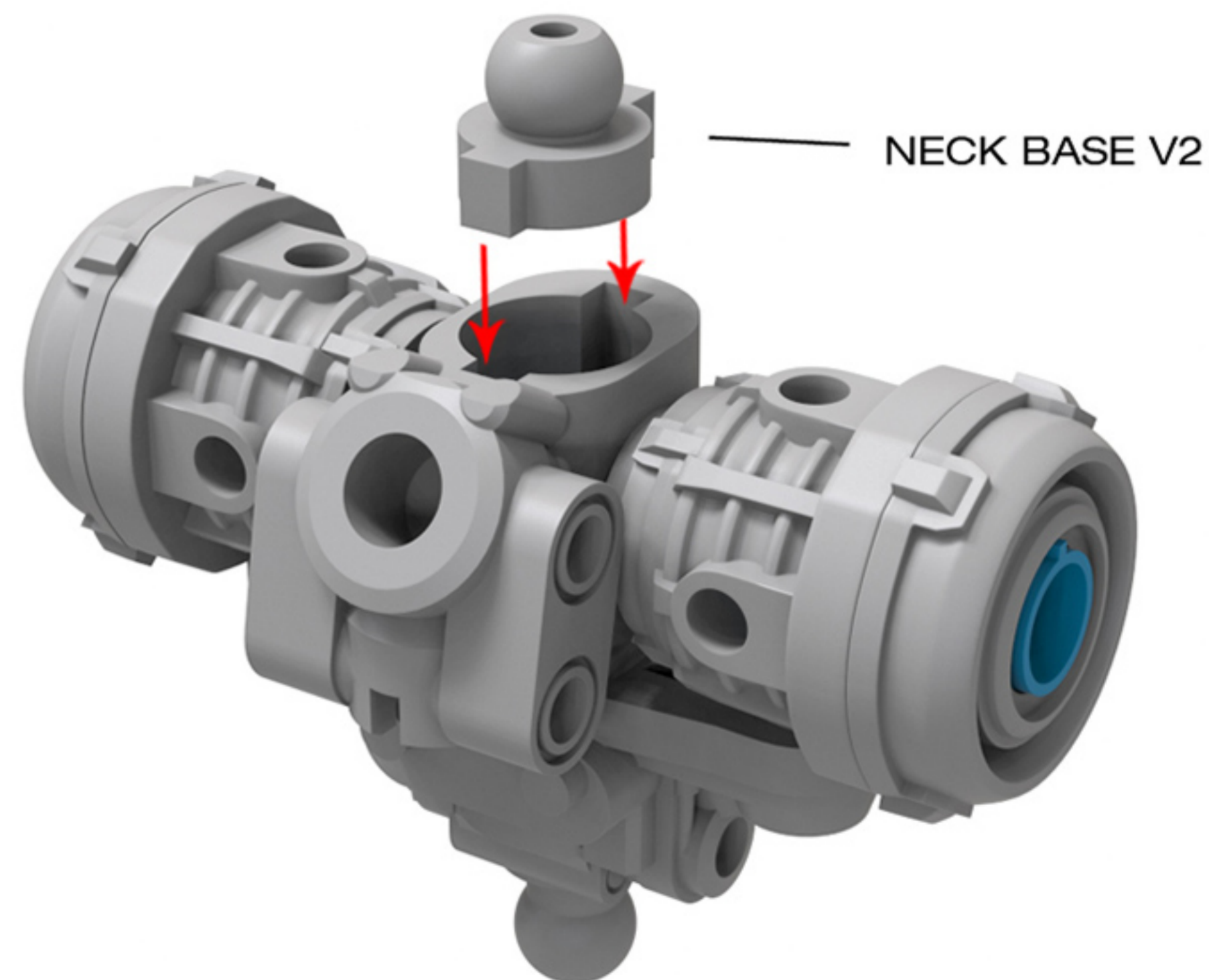
**F7**



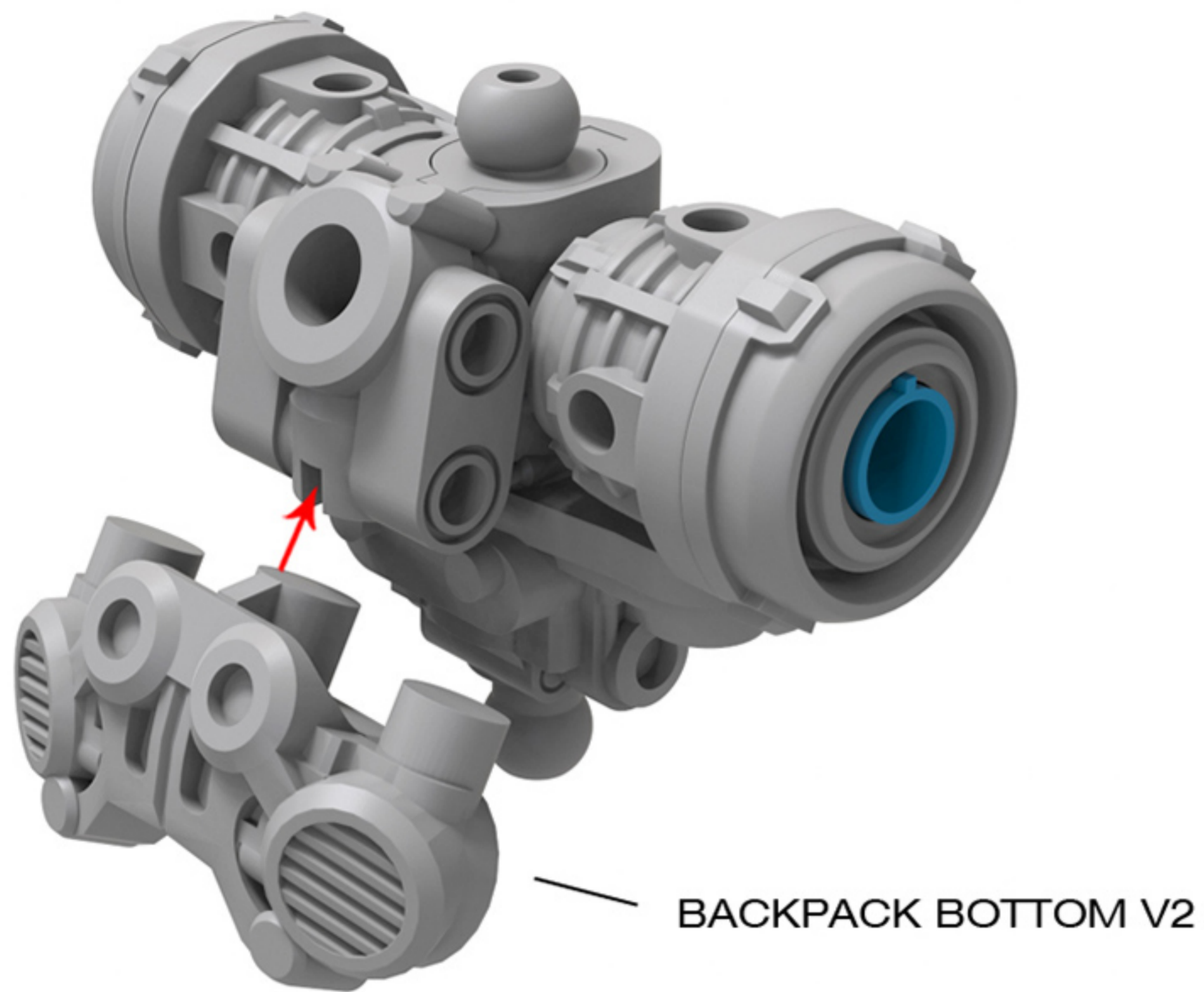
**F6**



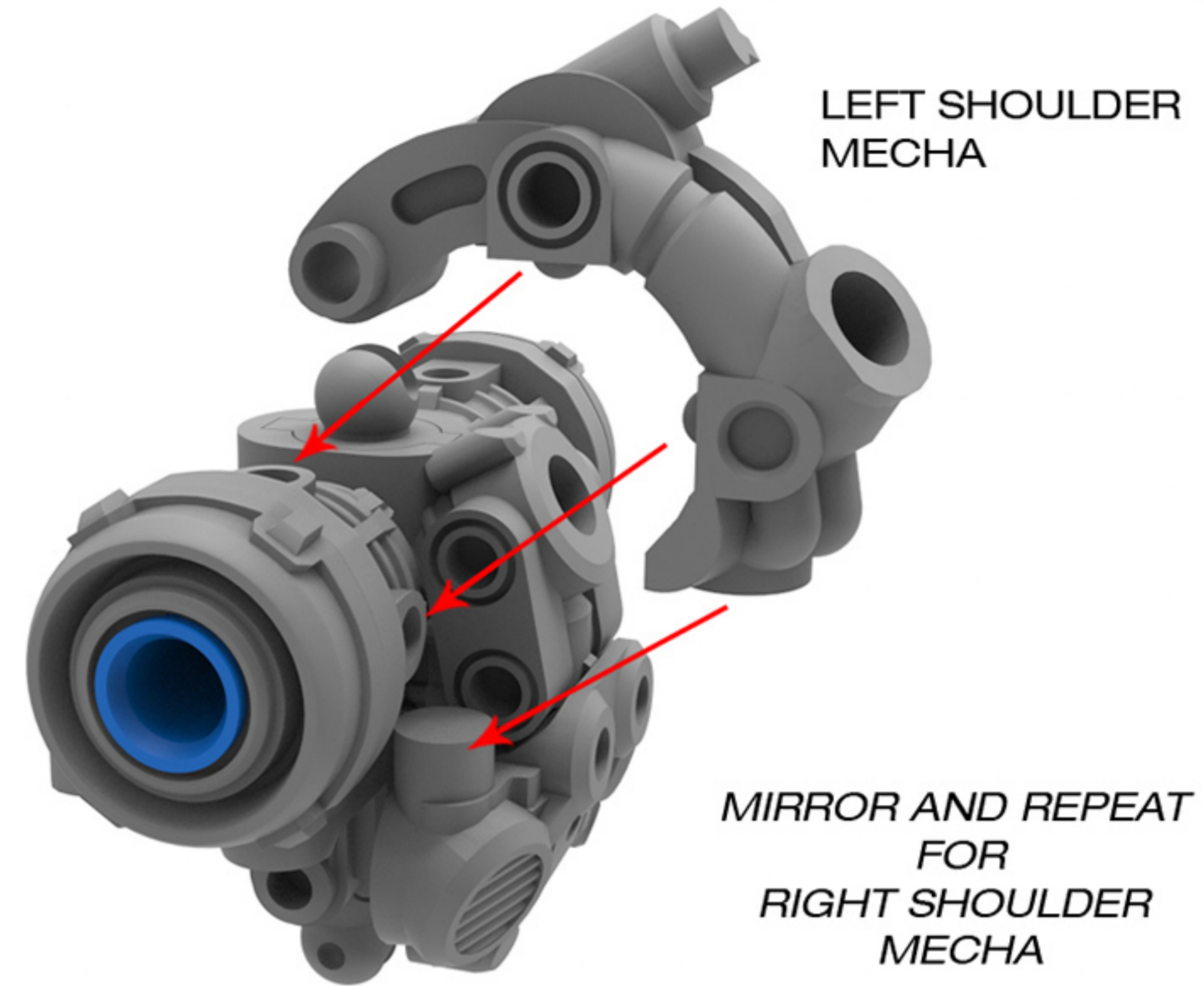
**F8**



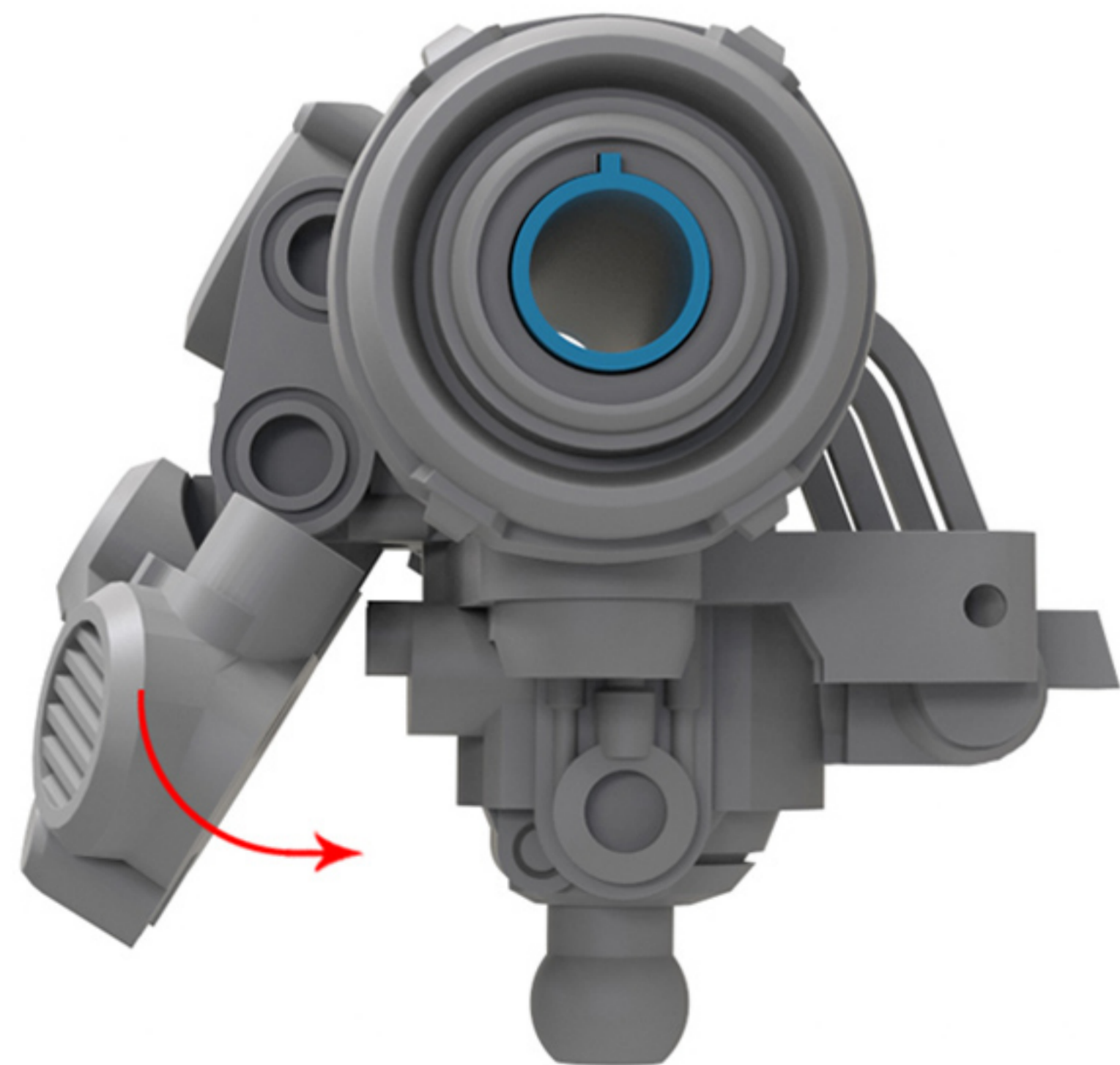
**F9**



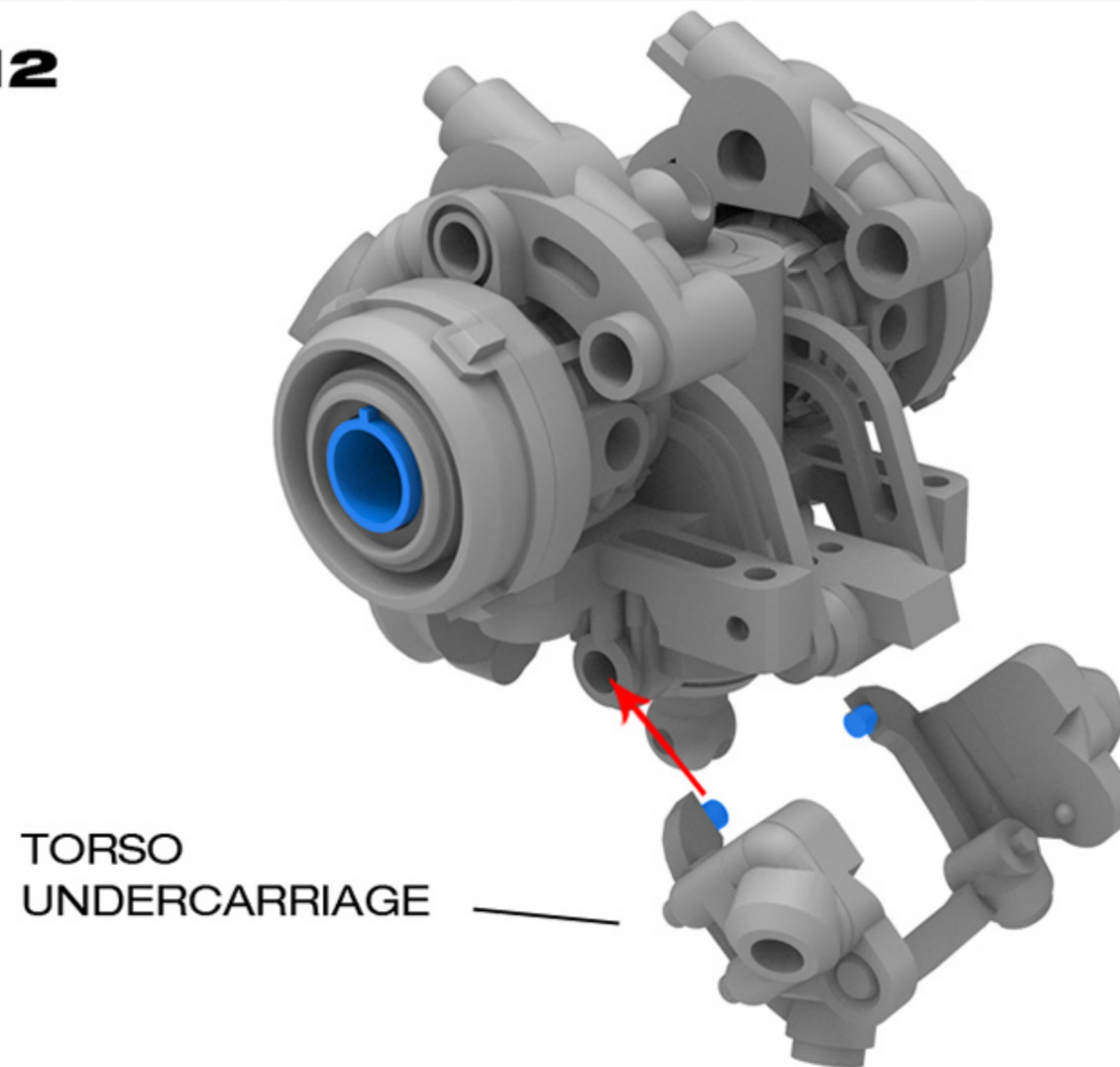
**F11**



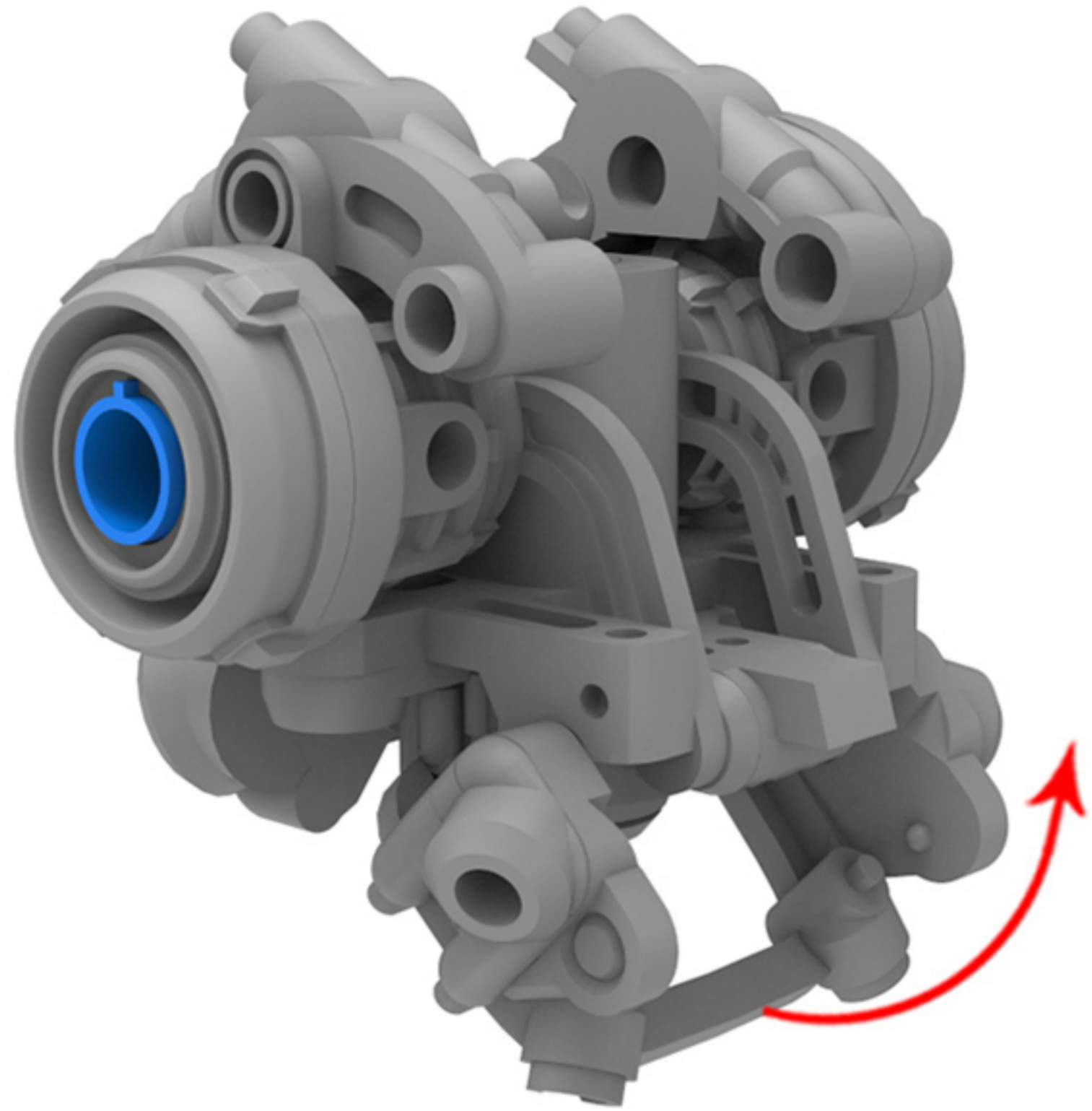
**F10**



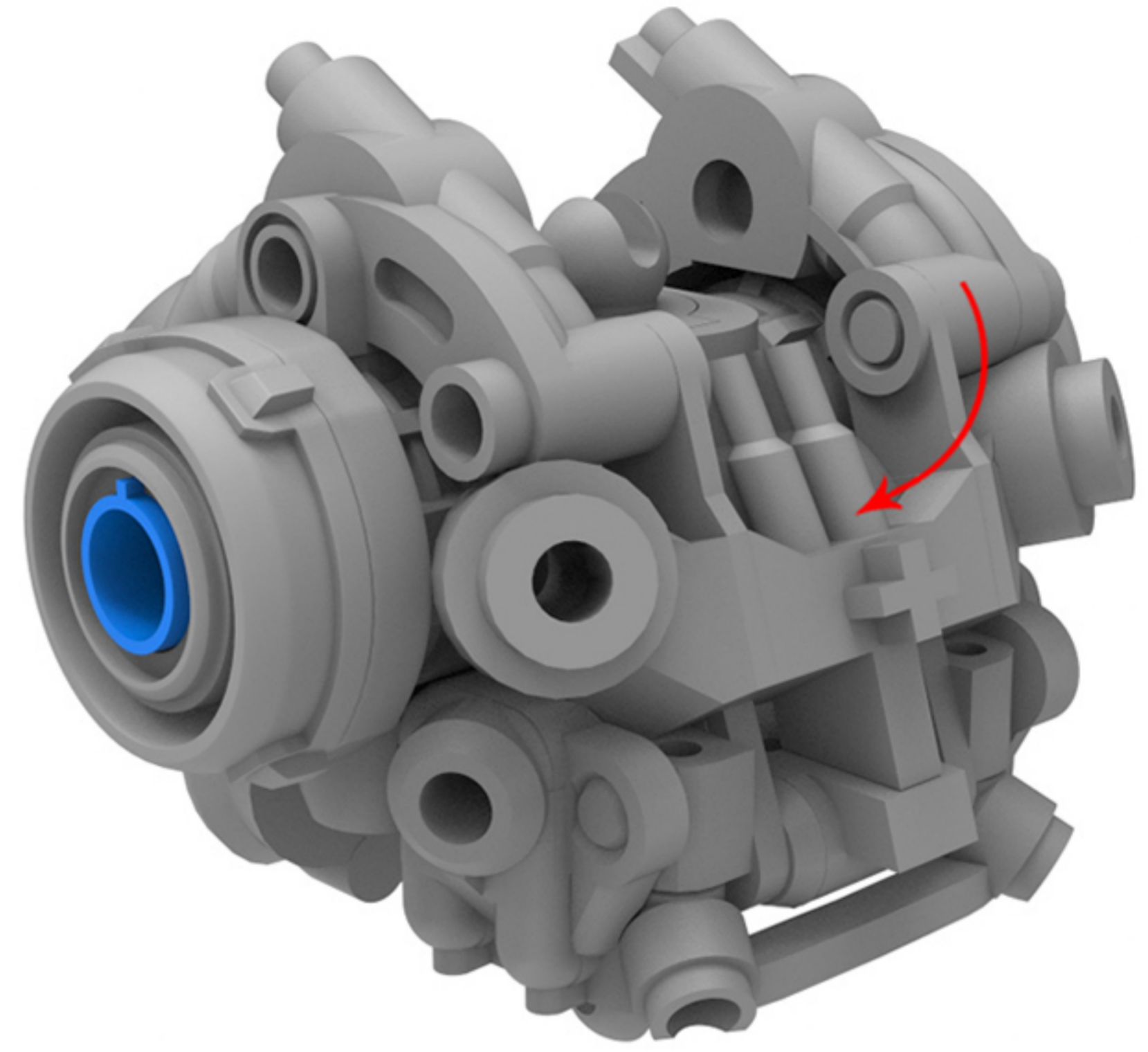
**F12**



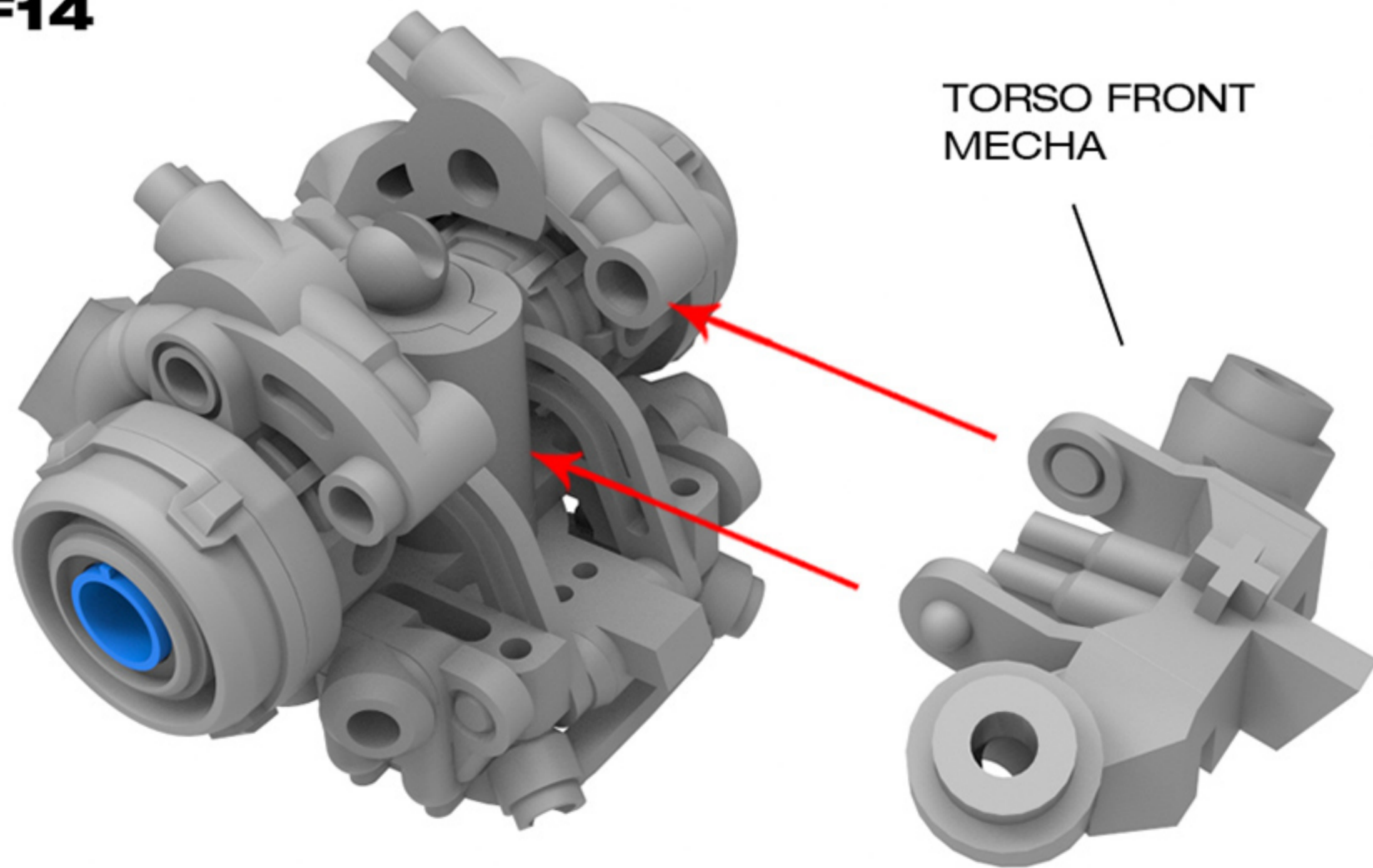
**F13**



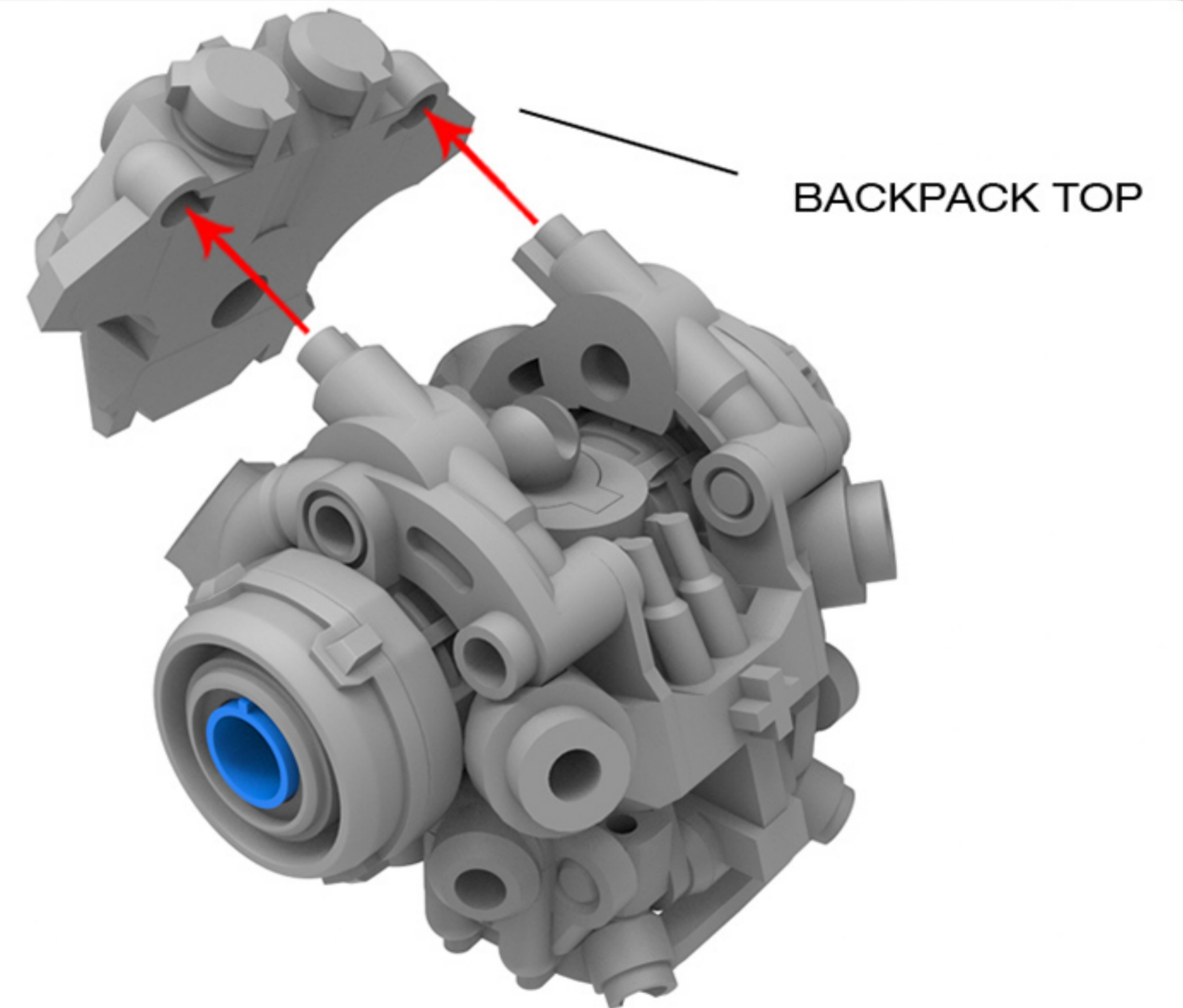
**F15**



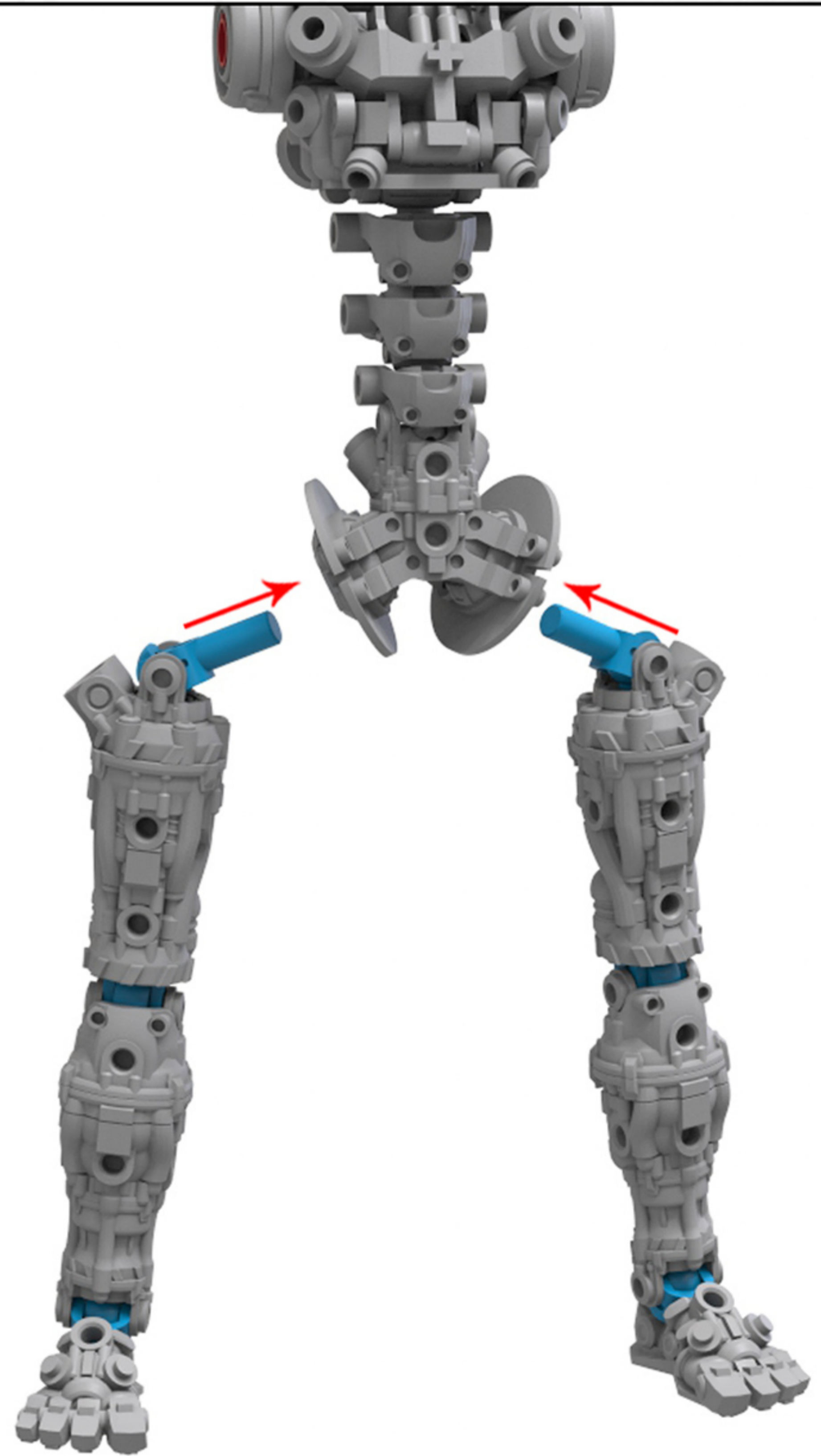
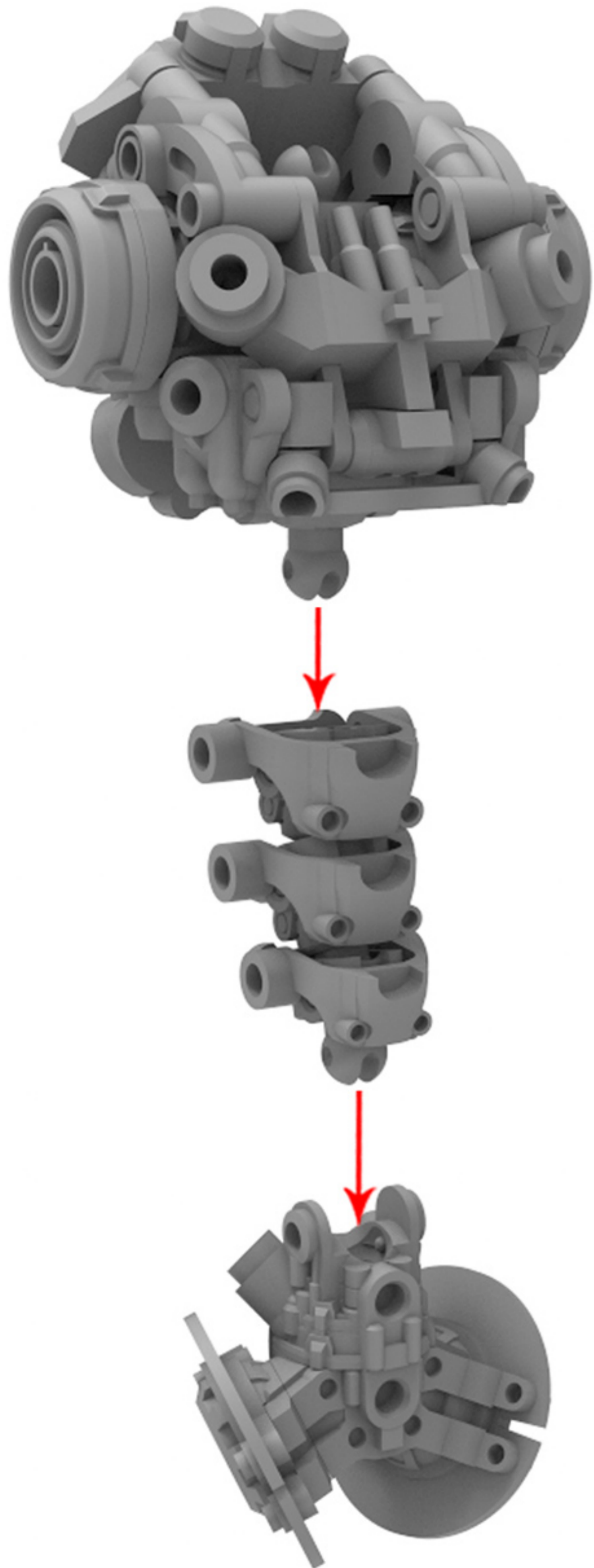
**F14**



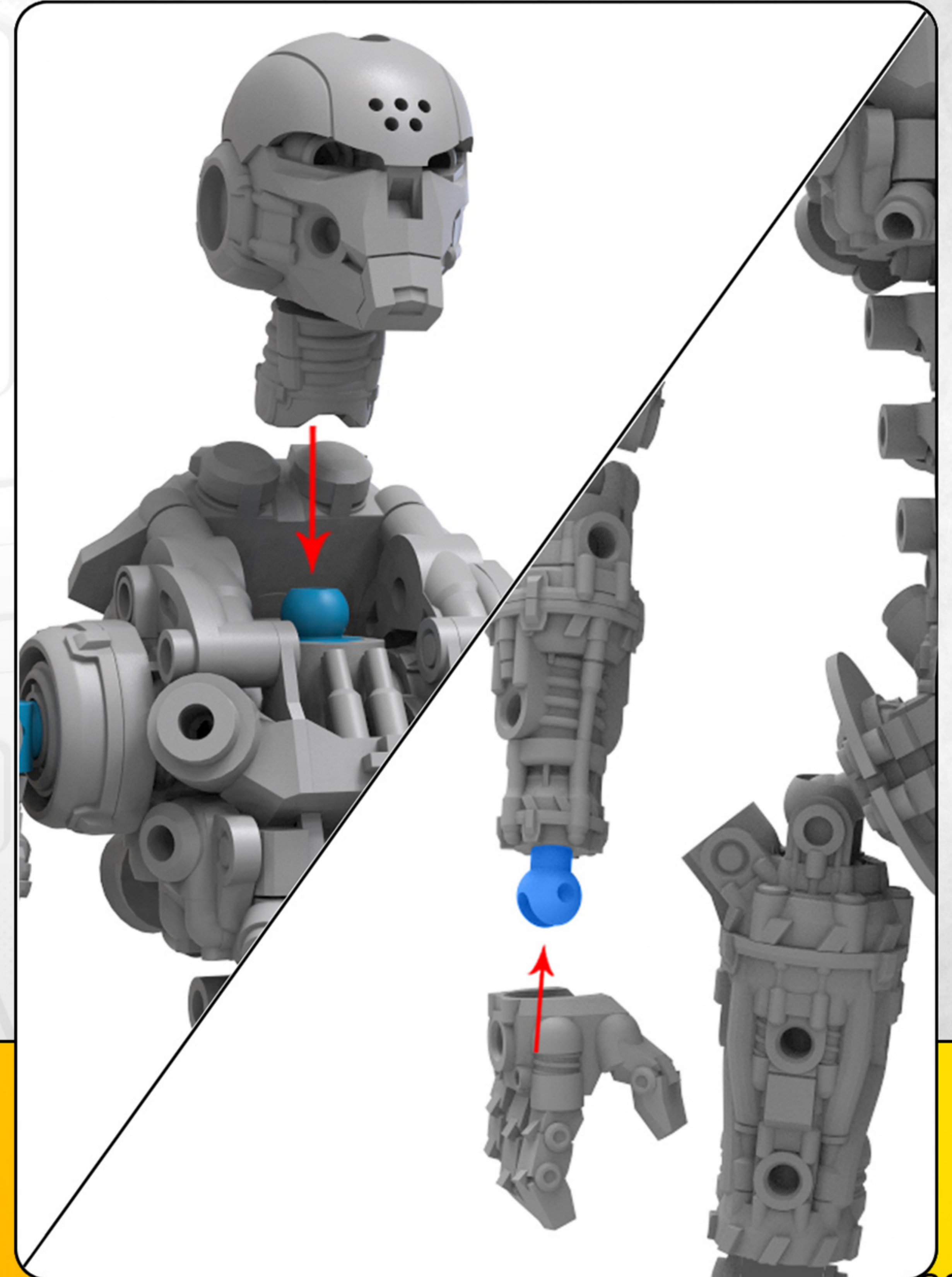
**F16**



# FINAL ASSEMBLY



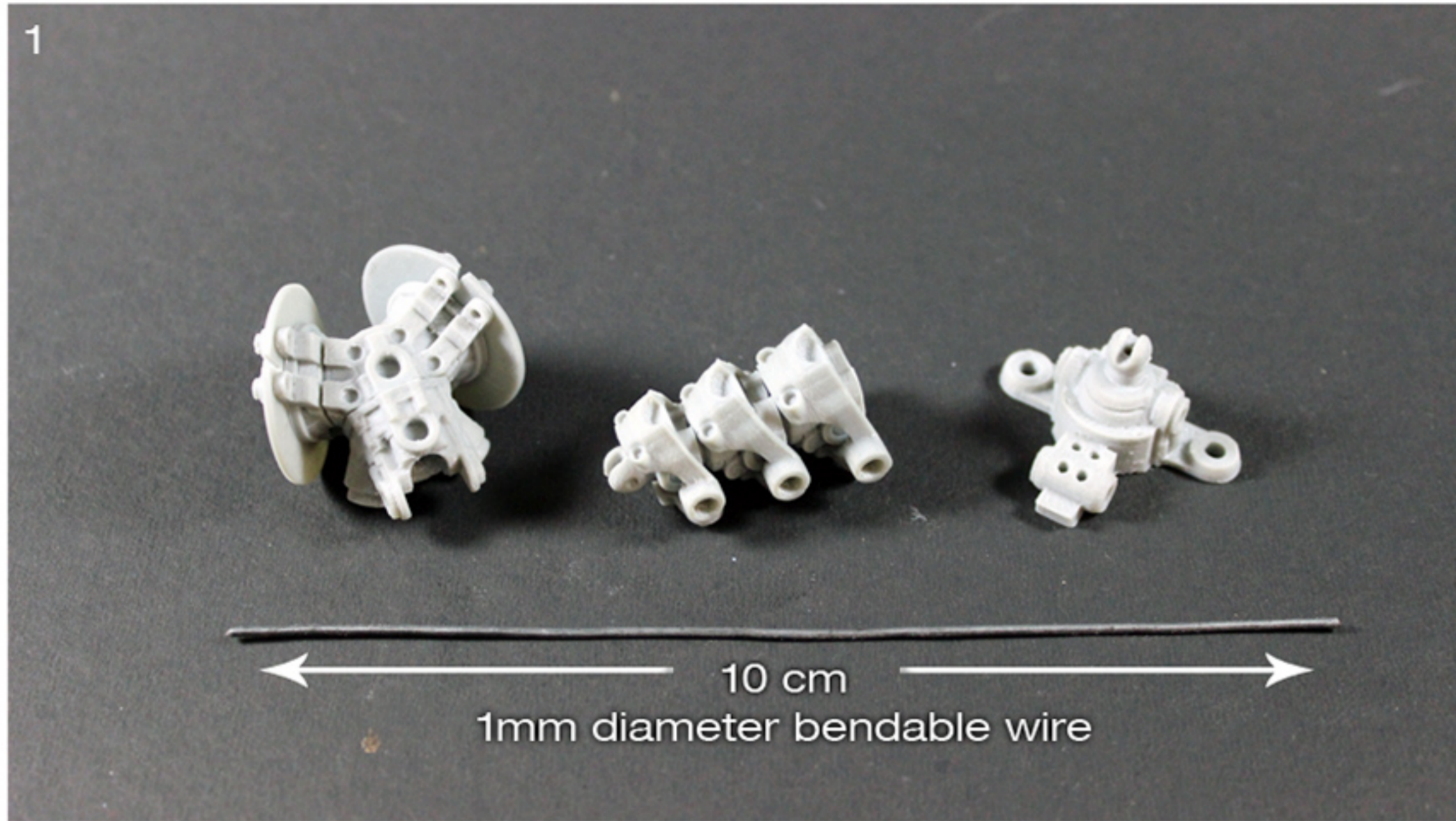
# FINAL ASSEMBLY



# EXTRAS

FOR ADDITIONAL SUPPORT YOU CAN REINFORCE THE SPINE SECTION WITH BENDABLE WIRE

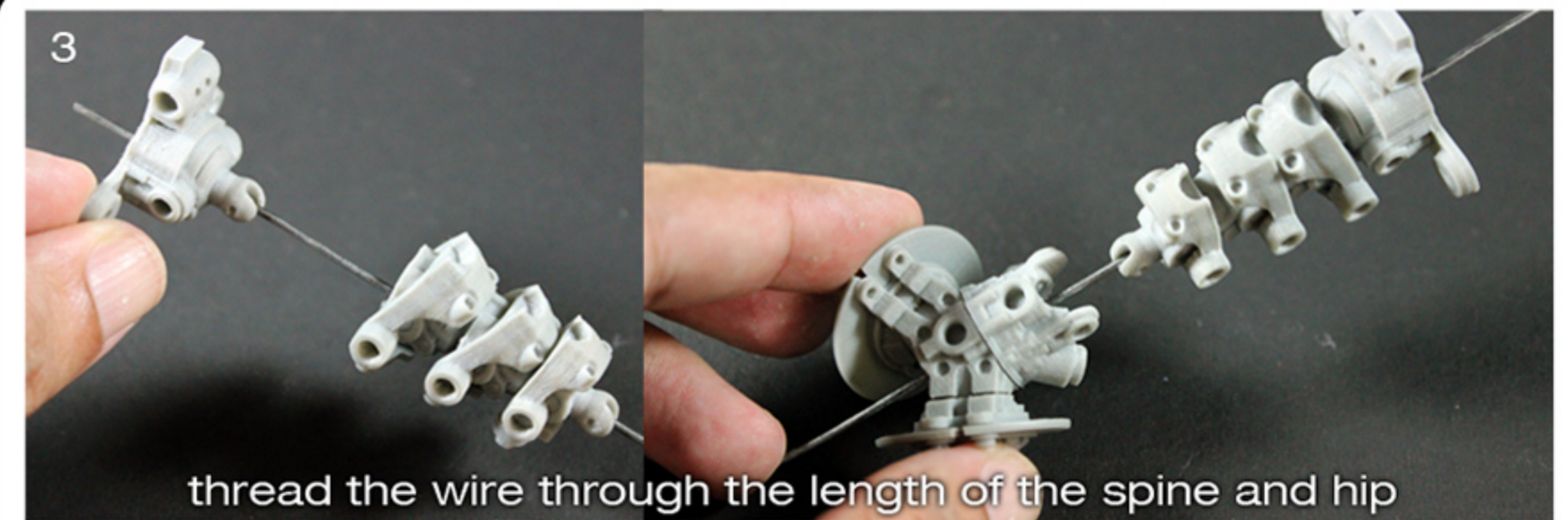
1



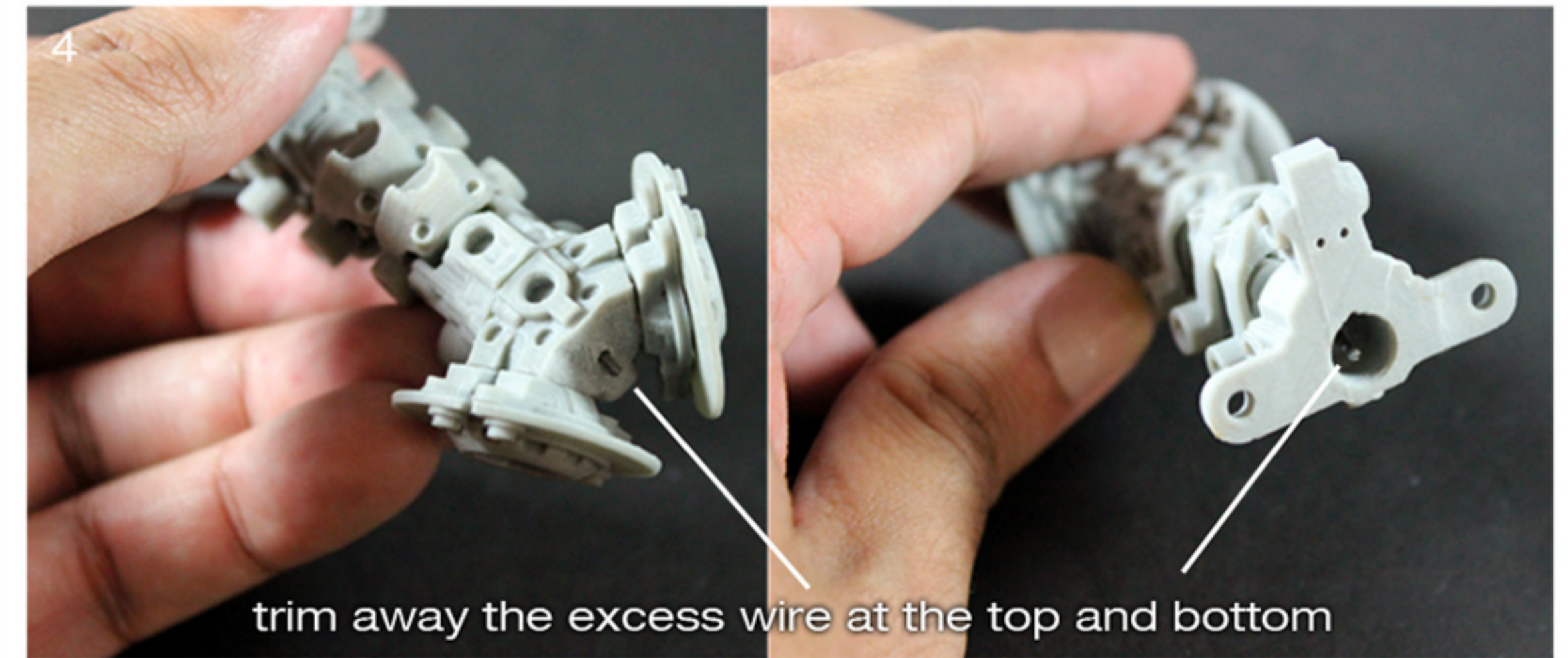
2



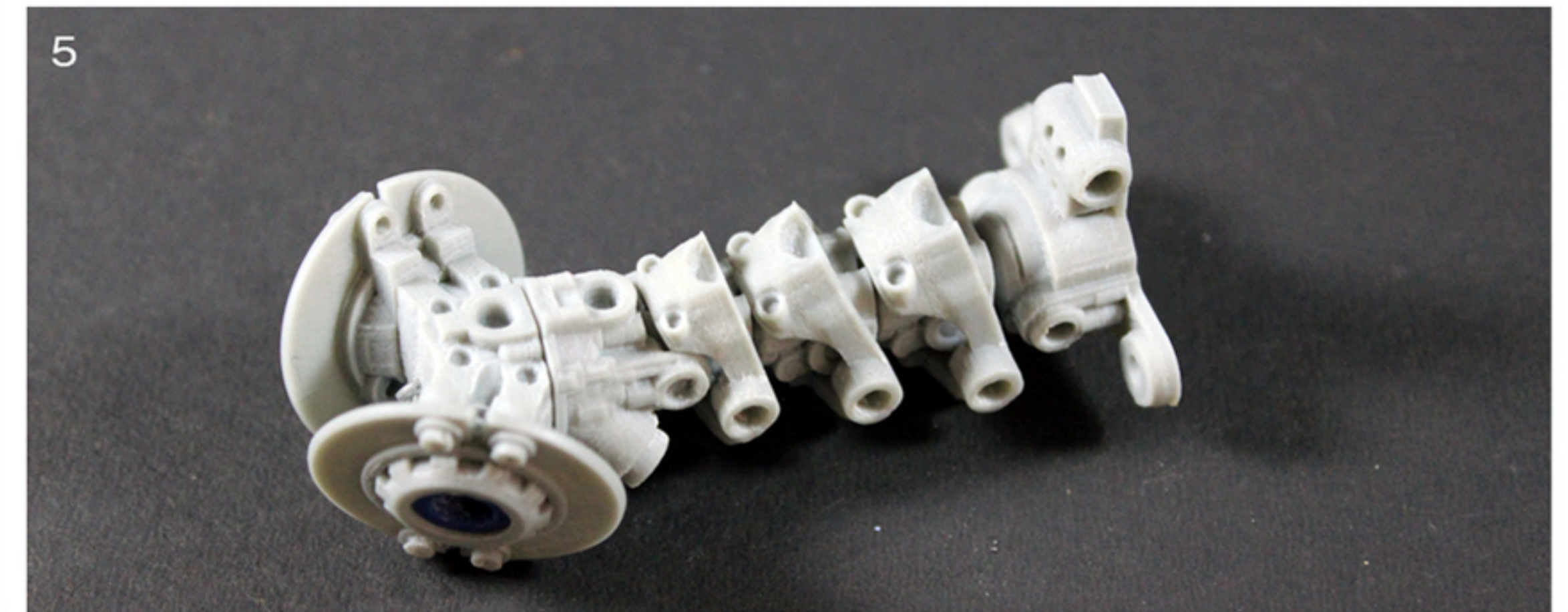
3



4



5



# EXTRAS

TO ENABLE THE LIGHT UP FEATURE LED LIGHTS CAN BE INSTALLED IN THE HEAD

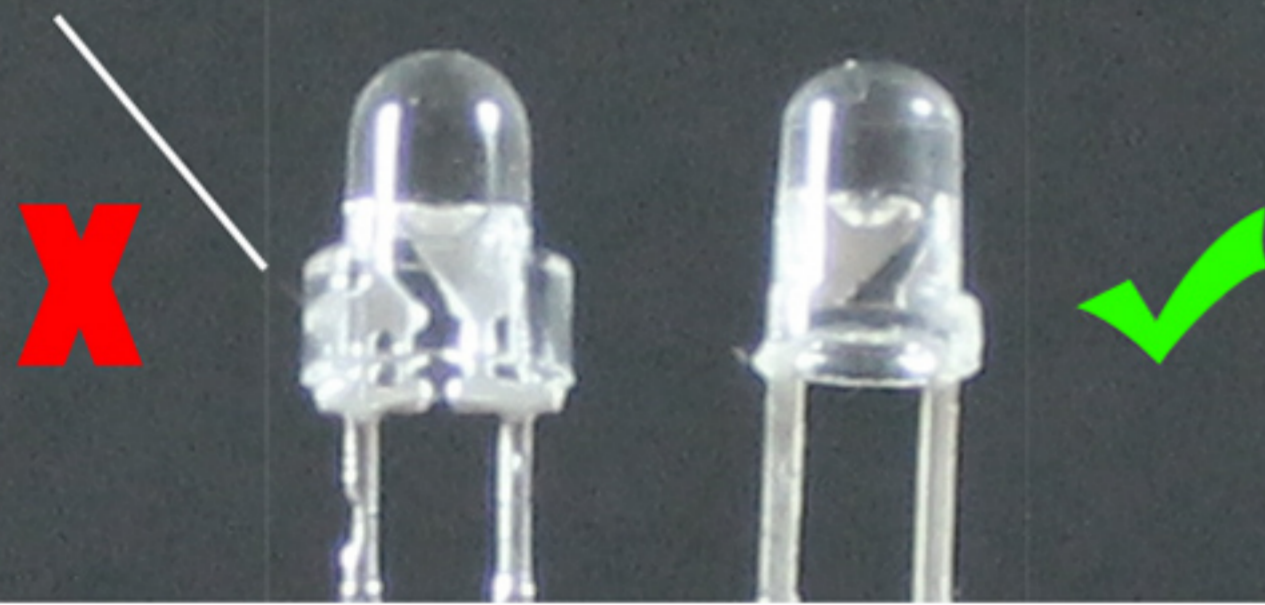
1

2 x 3mm LED lights, 4 x LR41 Batteries and Superglue



2

make sure that the LEDs do NOT have a square base



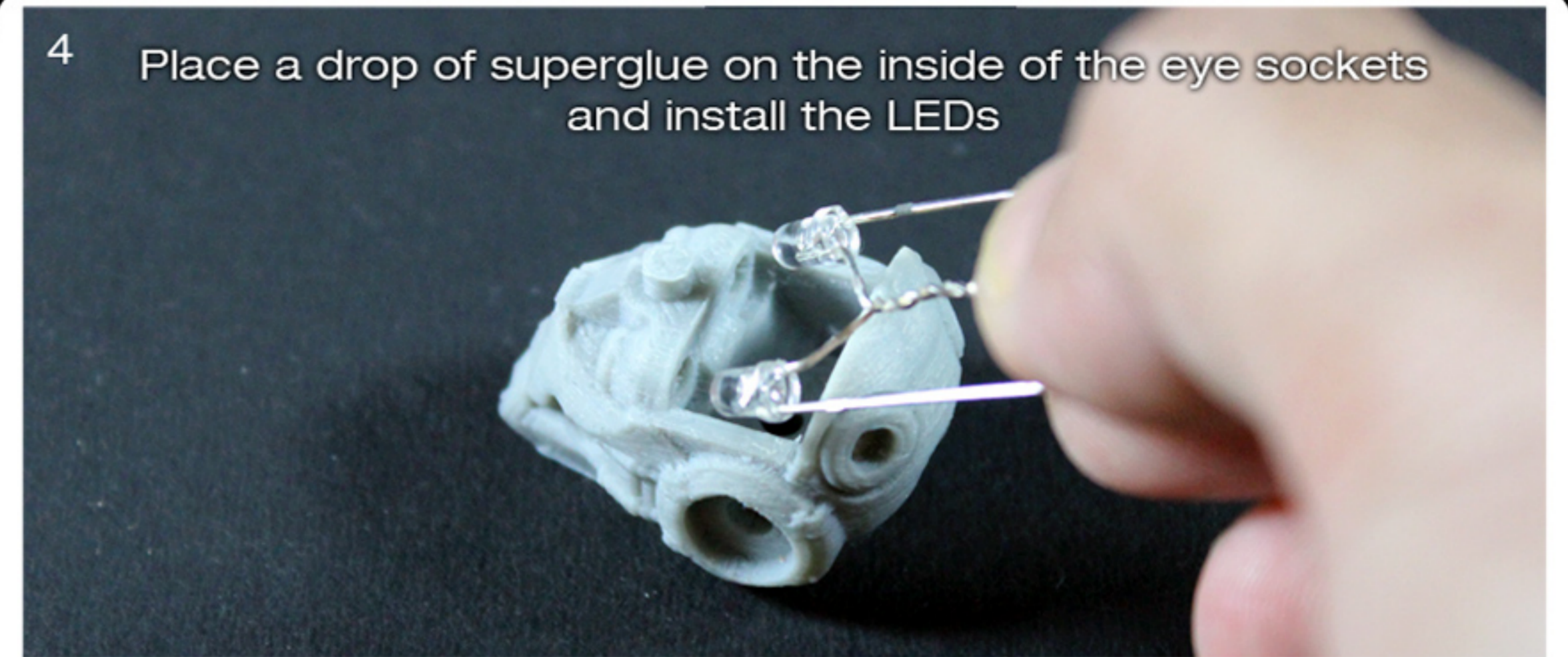
3

Connect the positive and negative contacts of the LEDs



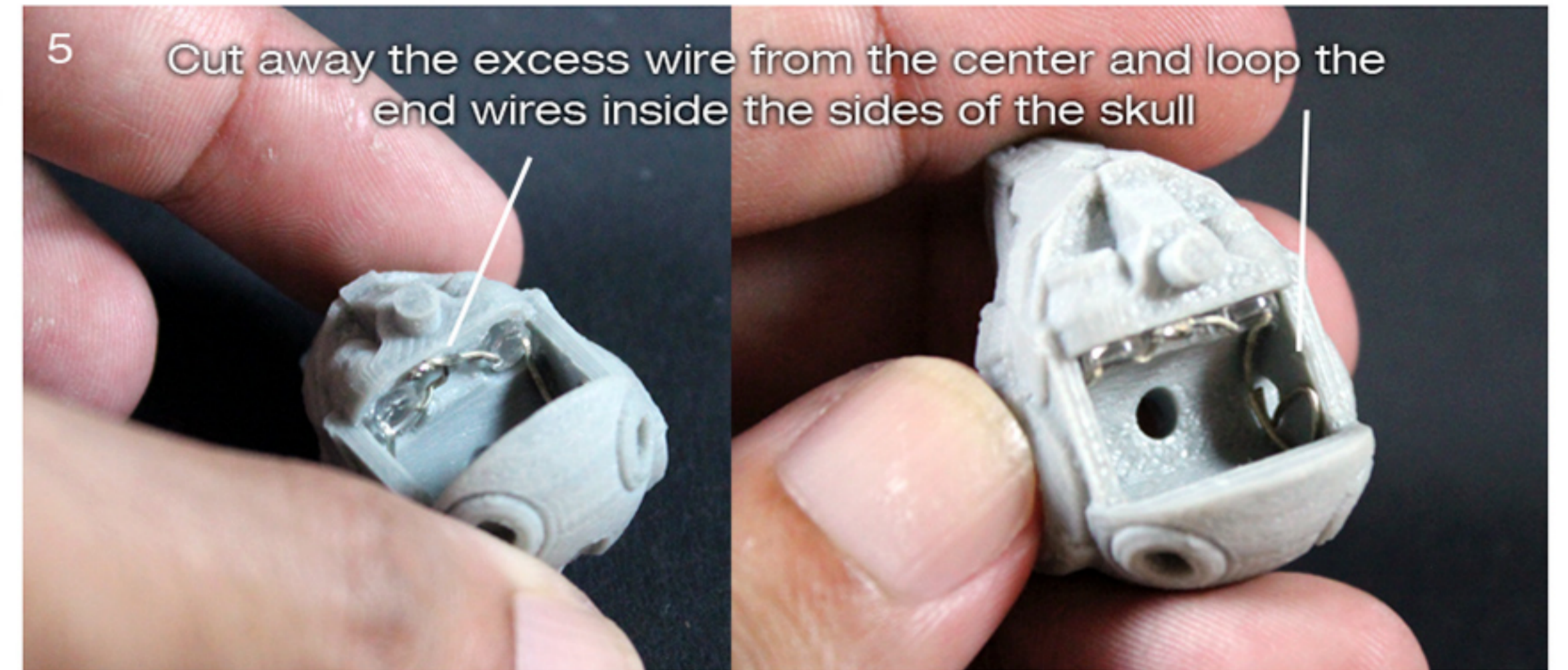
4

Place a drop of superglue on the inside of the eye sockets and install the LEDs



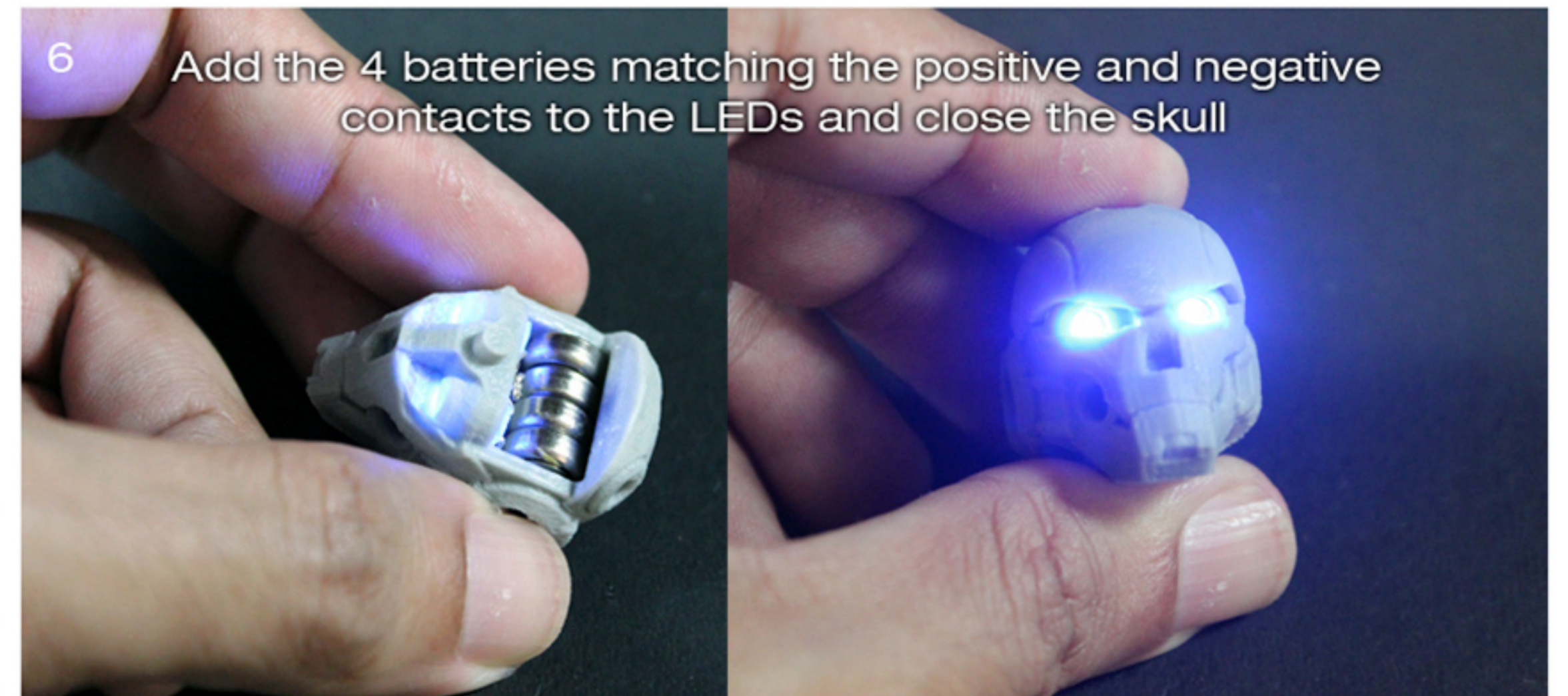
5

Cut away the excess wire from the center and loop the end wires inside the sides of the skull



6

Add the 4 batteries matching the positive and negative contacts to the LEDs and close the skull





THANK YOU FOR YOUR PURCHASE OF  
ENDO THE 3D PRINTED  
ACTION FIGURE.

FOR FURTHER INFORMATION PLEASE  
CONTACT  
TOYFORGE.IN@GMAIL.COM

## DISCLAIMER

PLEASE ENSURE THAT YOU READ AND ADHERE TO THE TERMS  
OF THE END USER LICENSE AGREEMENT THAT GOVERN ANY  
MATERIAL DOWNLOADED OR PURCHASED FROM  
WWW.TOYFORGE.IN

THIS DOCUMENT IS NOT TO BE SOLD OR DIGITALLY  
DISTRIBUTED IN ANY MANNER.

ALL THE IMAGES AND MATERIAL USED IN THIS GUIDE ARE  
COPYRIGHT © AARON THOMAS WWW.TOYFORGE.IN

