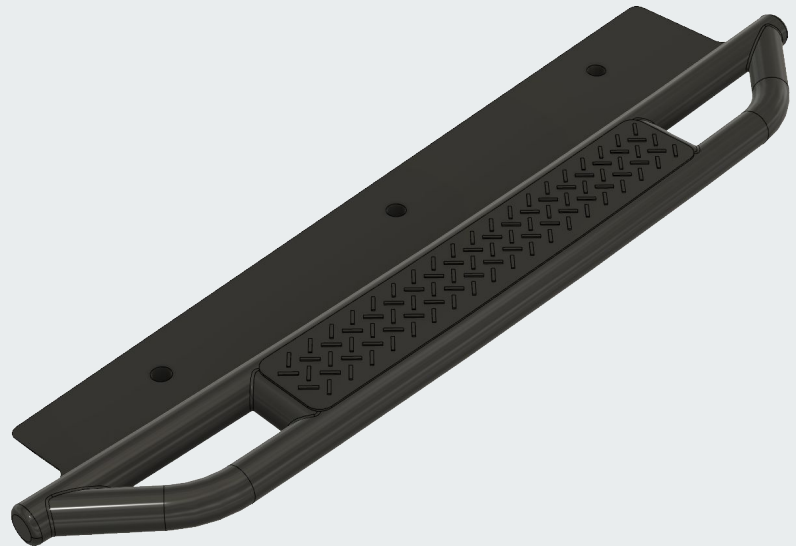




# Build Guide - Tube Doorsteps

Accessory for “Model 1: Rancher 4x4”


[www.3dsets.com](http://www.3dsets.com)  
[3dsets Facebook](#) 



Version 1.0

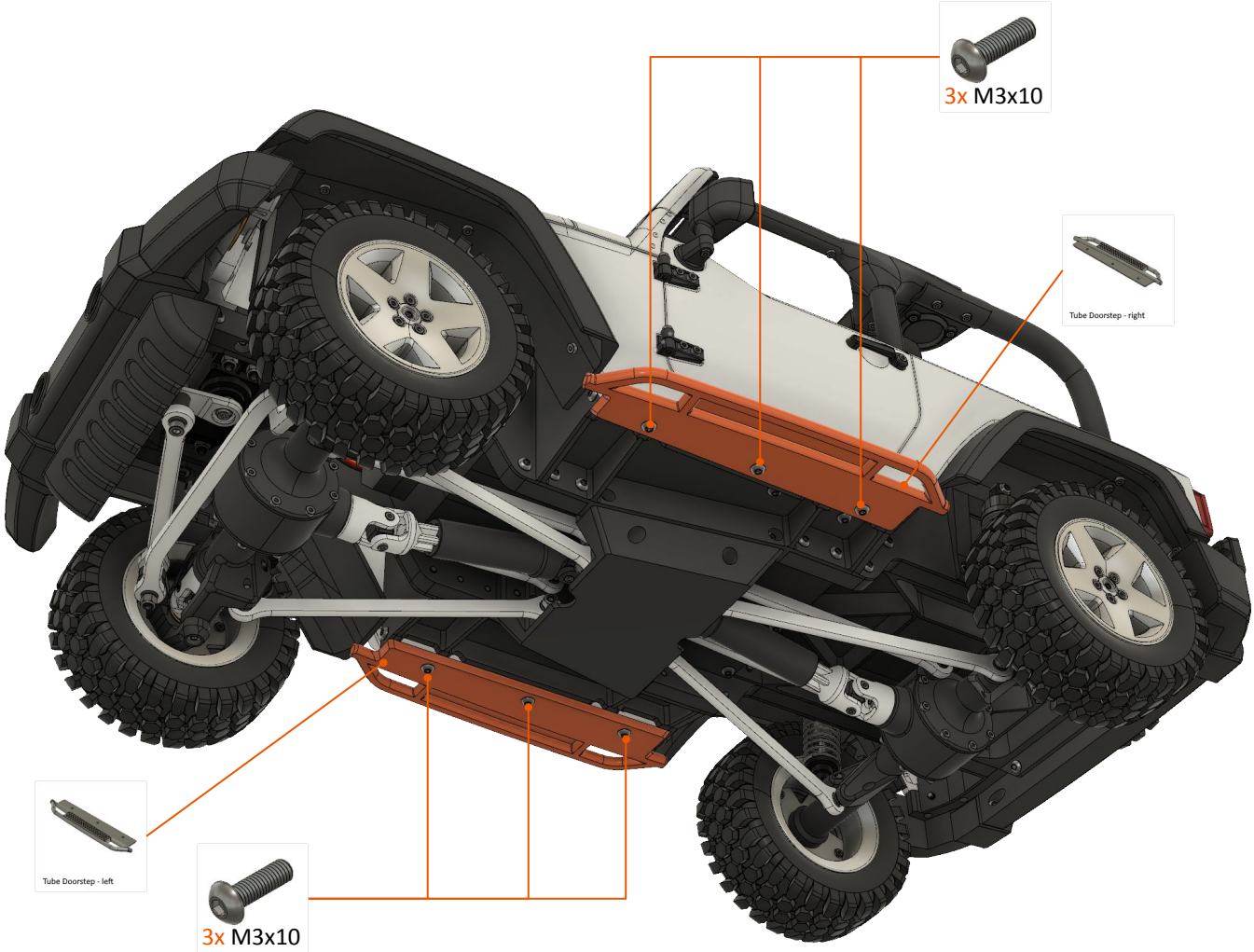


## Tube Doorstep: What do you need?

- This accessory is compatible with our Model 1: Rancher 4x4 so you need one, of course :-)
- Print Filament: To print this model you will need 33 g of print filament in total. We print our models from PLA material, but you can use PET filament for more strength.
- Screws:
  - M3x10: 6 pcs 



# Tube Doorstep – step 1/2





## Tube Doorstep – step 2/2

