



Build Guide - Africa Trophy

Accessory for “Model 4: Landy 4×4 Hardtop”
Accessory for “Model 5: Landy 4×4 Wagon”

This set consist of these items:

- roof rack with fog lights
- front bumper with working winch
- tailgate spare wheel holder
- hood spare wheel holder
- snorkel with air filter
- rear ladder
- hardtop windows protection
- fuel jerry cans
- plastic storage container
- aluminium box storage (3 different dimensions)

www.3dsets.com

[3dsets Facebook](#) 

Version 1.0

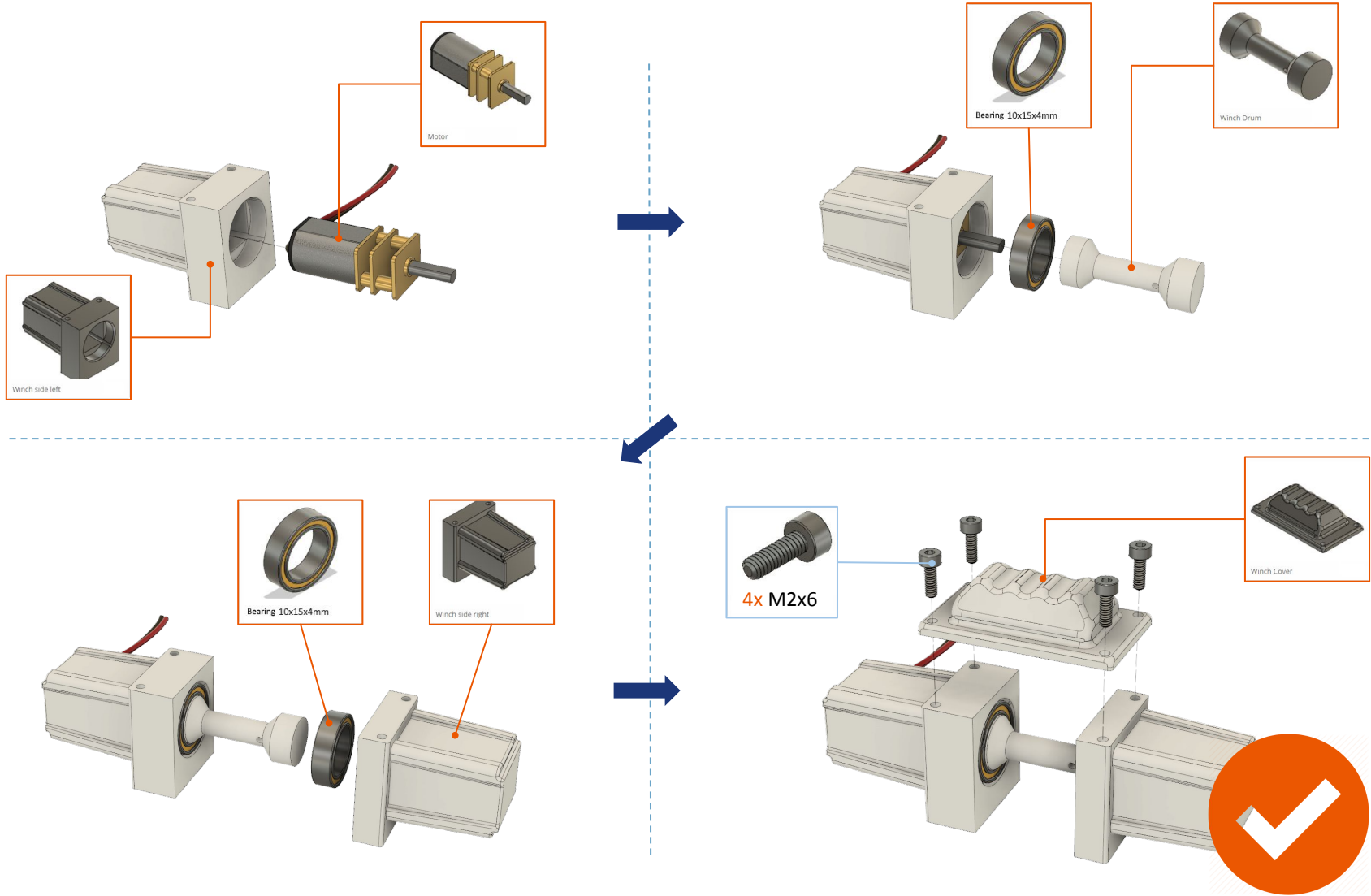




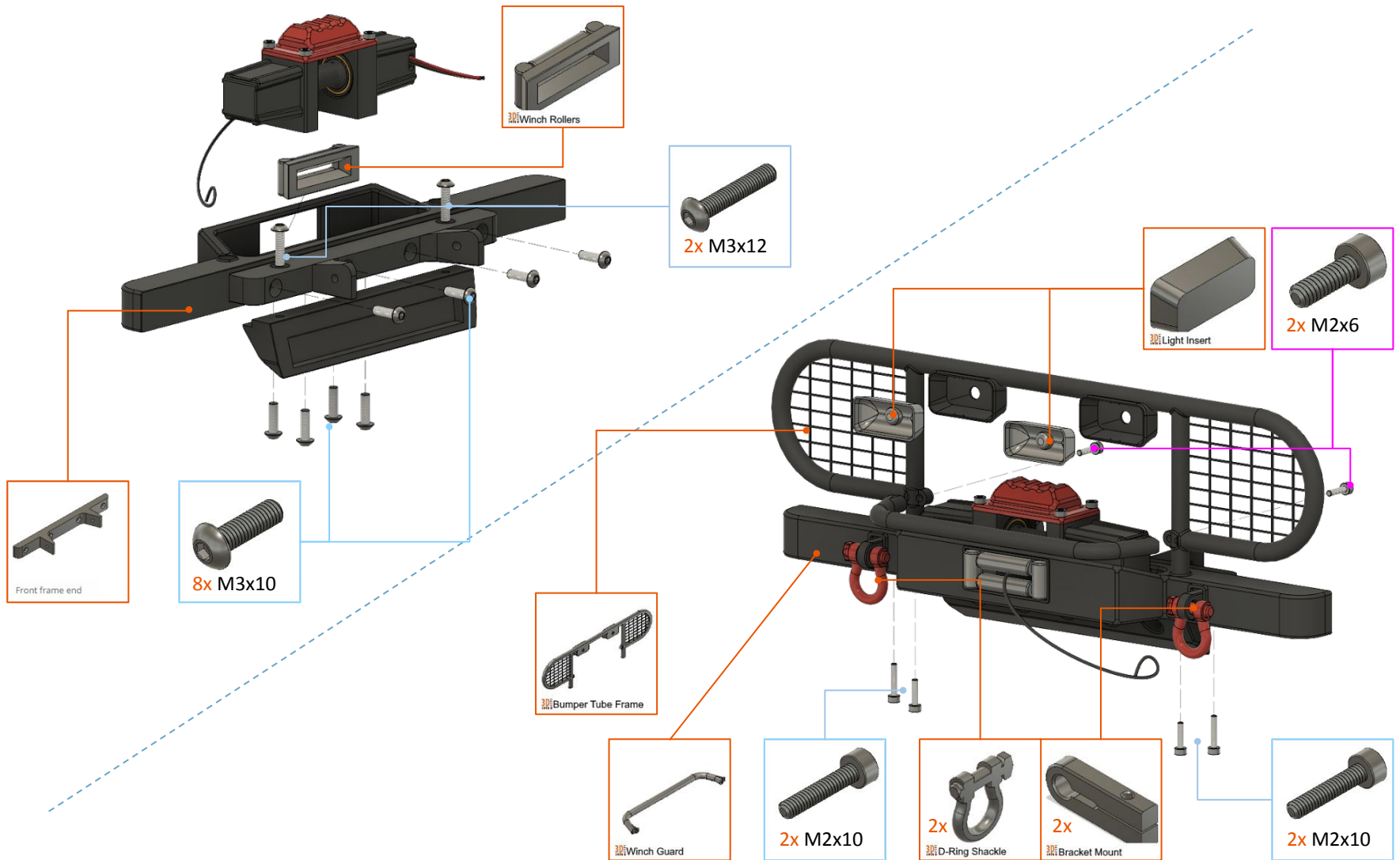
Africa Trophy : What do you need?

- This accessory is compatible with both Model 4: [Landy 4x4 - Hardtop](#) and Model 5: [Landy 4x4 - Wagon](#). If you have a Landy Wagon, the only difference will be in the length of the Roof Rack – will be mentioned later.
- Print Filament: To print this model you will need 600 g of print filament in total and it is tested with the PLA material.
- To remote control the Winch, you need to have available one proportional channel, preferably controlled by 3-way switch. For the middle position = winch is stopped, for both end positions = winch is going in/out.
- Winch is driven by Micro DC Gear Motor 6V: [Micro DC Gear Motor 6V 30rpm](#)
- To control the winch you will need Speed controller (ESC) max size 40x30x25mm: [Motor Speed RC ESC](#)
- material for Winch Rope:
 - [Super Strong Braided Wire Fishing Line 100LB \(0.6mm\)](#) or
 - [FDDL Lure As Gift The 100M 88LB \(line number 8.0\)](#)
- Ball Bearing 10x15x4 mm - 6700ZZ: 2 pcs.: [Bearing](#)
- Screws:
 - M2x6: 57pcs (for Landy Wagon 70pcs)
 - M2x8: 6pcs
 - M2x10: 9pcs
 - M3x10: 10pcs
 - M3x12: 4pcs
 - M3x16: 1pcs

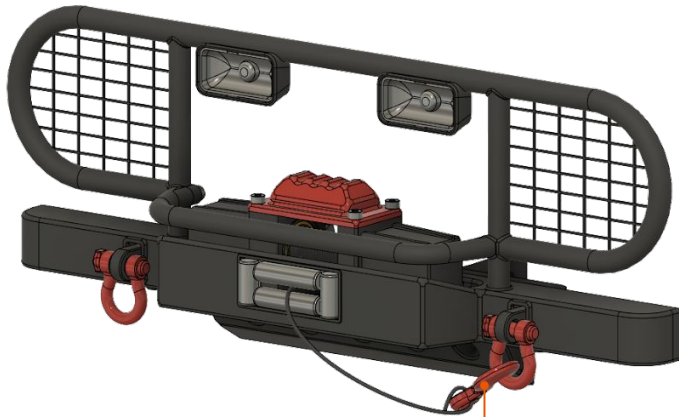
Winch – step 1/1



Front Bumper "Africa" – step 1-2/3



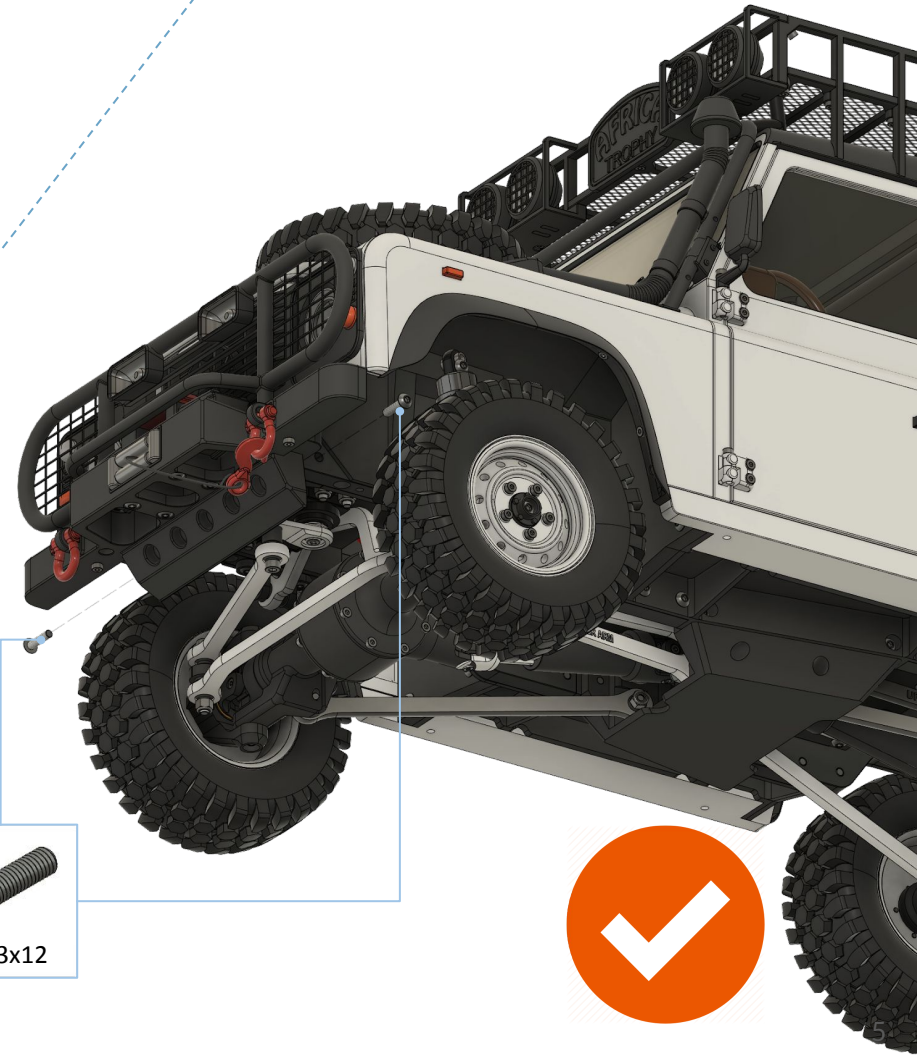
Front Bumper "Africa" – step 3/3



Hook



2x M3x12



Roof Rack “Africa” – important informations

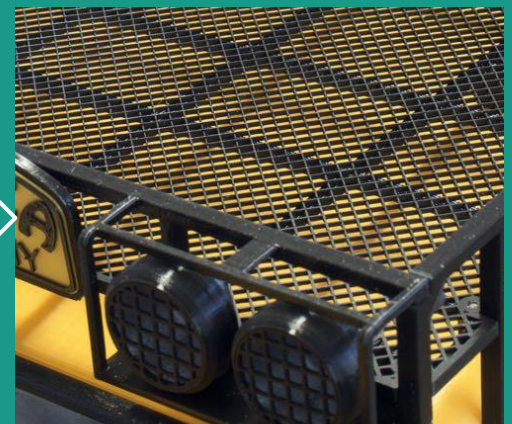
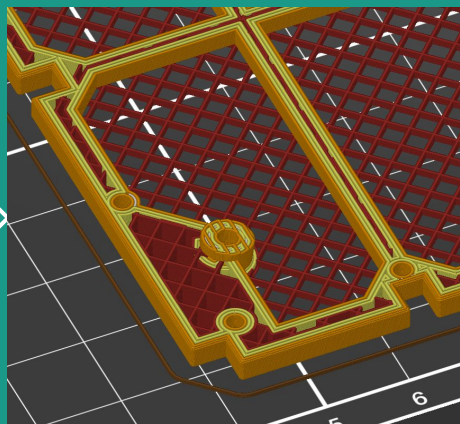
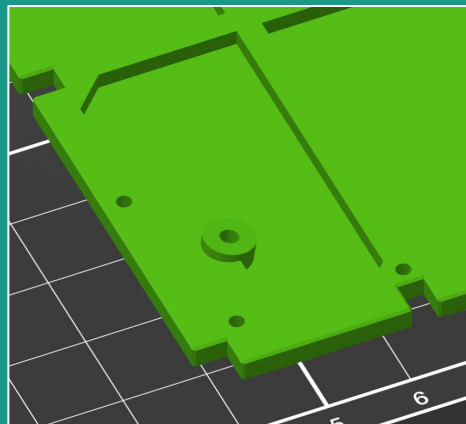
If you will print the part “Roof Rack - front, Roof Rack - rear or Roof Rack - Wagon” from the .stl file instead of printing from provided gcode, please use following slicer setup:

- No top infill, no bottom infill (0 top/bottom layers)
- Perimeters: 3
- Infill density: 30%
- Infill type: grid

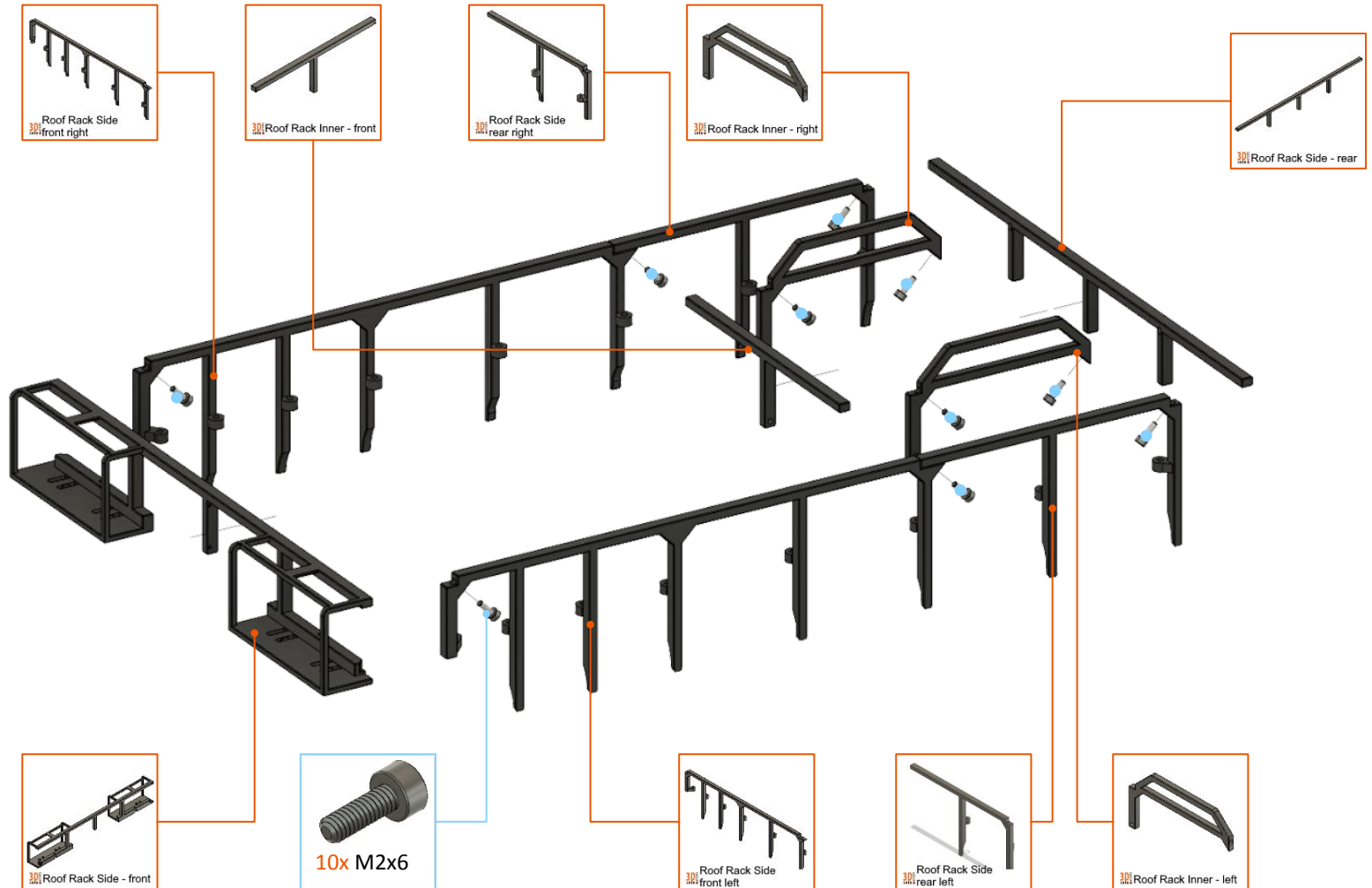


If you have Model 4: Landy 4x4 Hardtop, jump to [page 7](#).

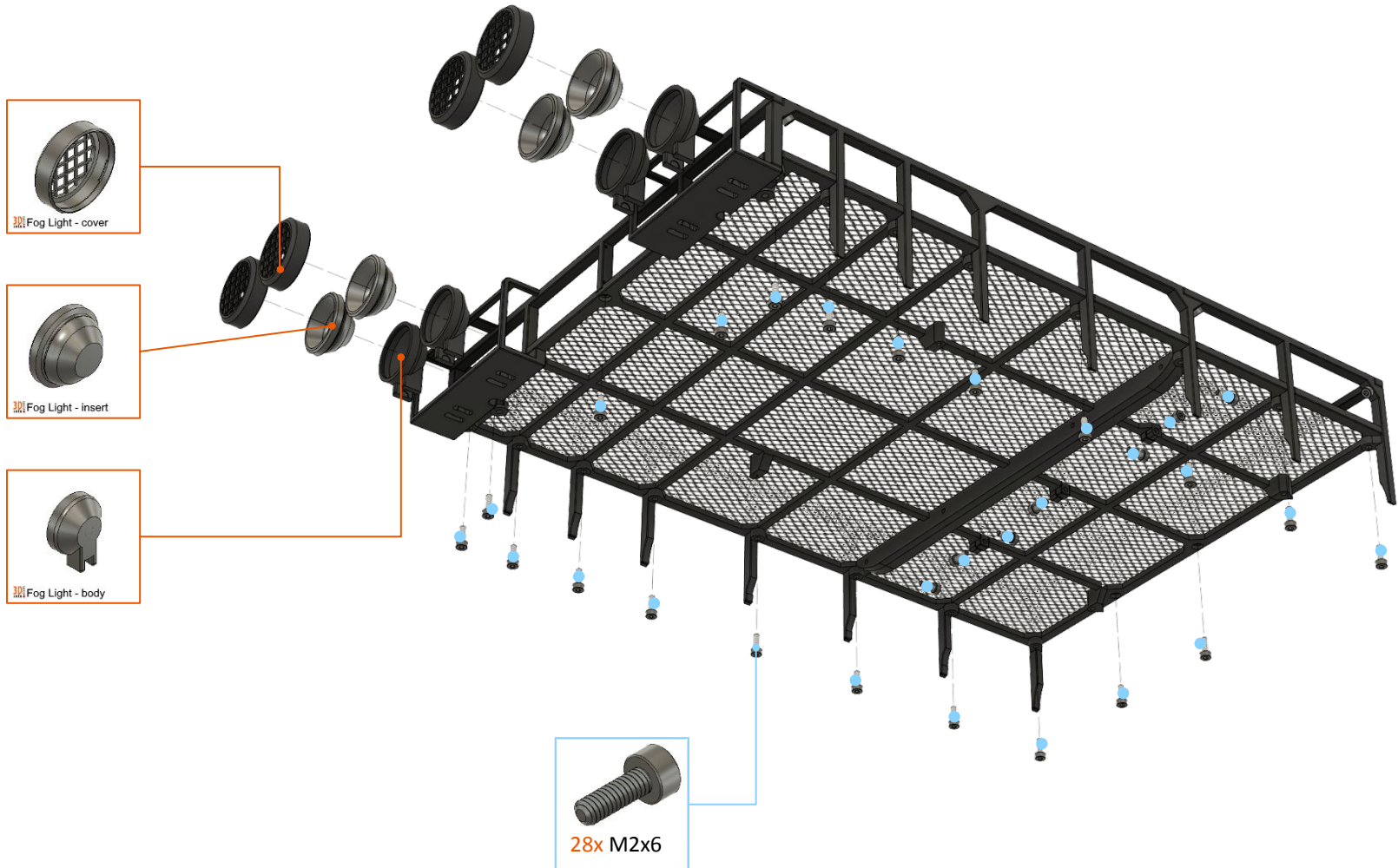
If you have Model 5: Landy 4x4 Wagon, jump to [page 9](#). The only difference is in Roof Rack length!



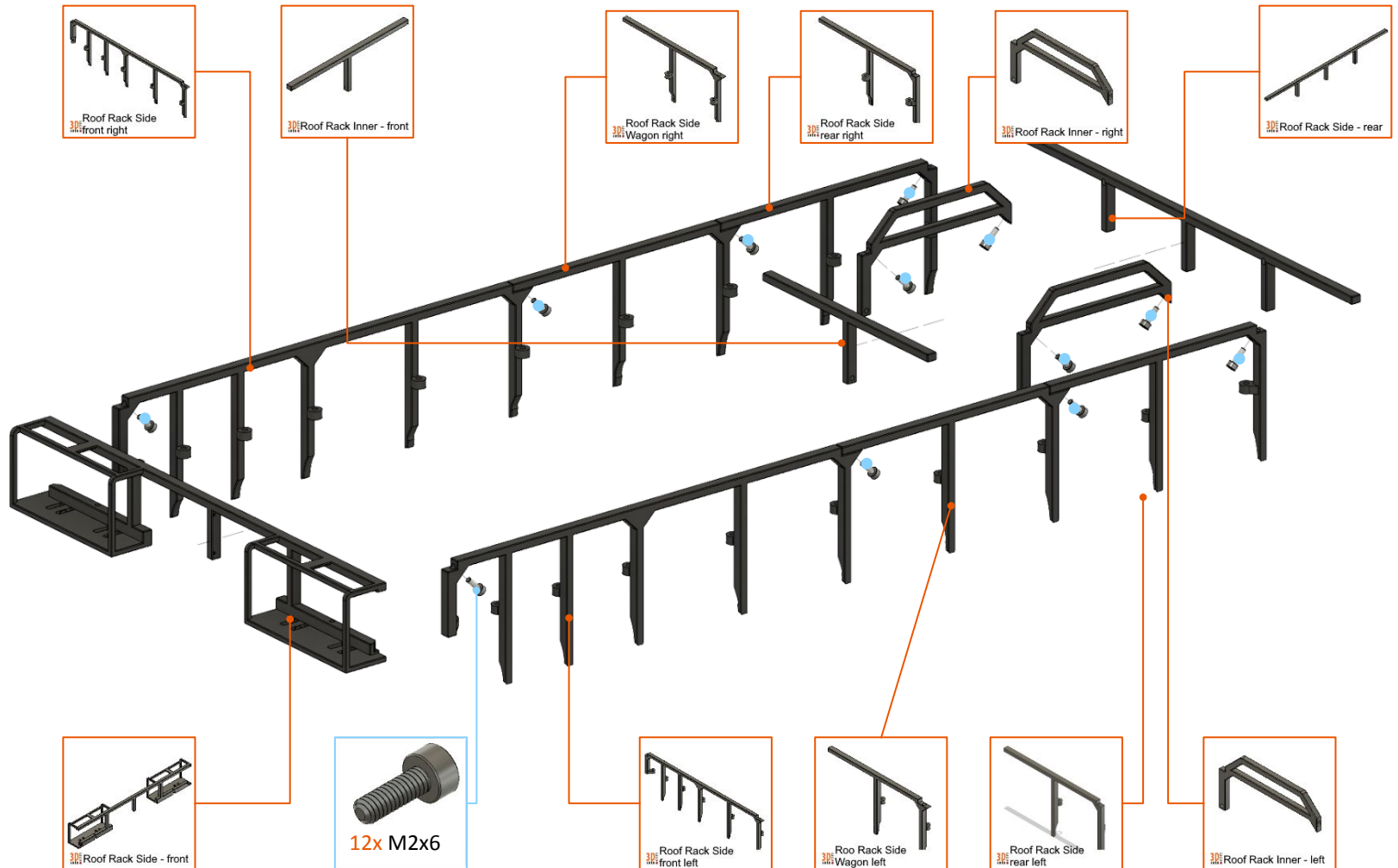
Roof Rack – for Landy Hardtop: step 1/4



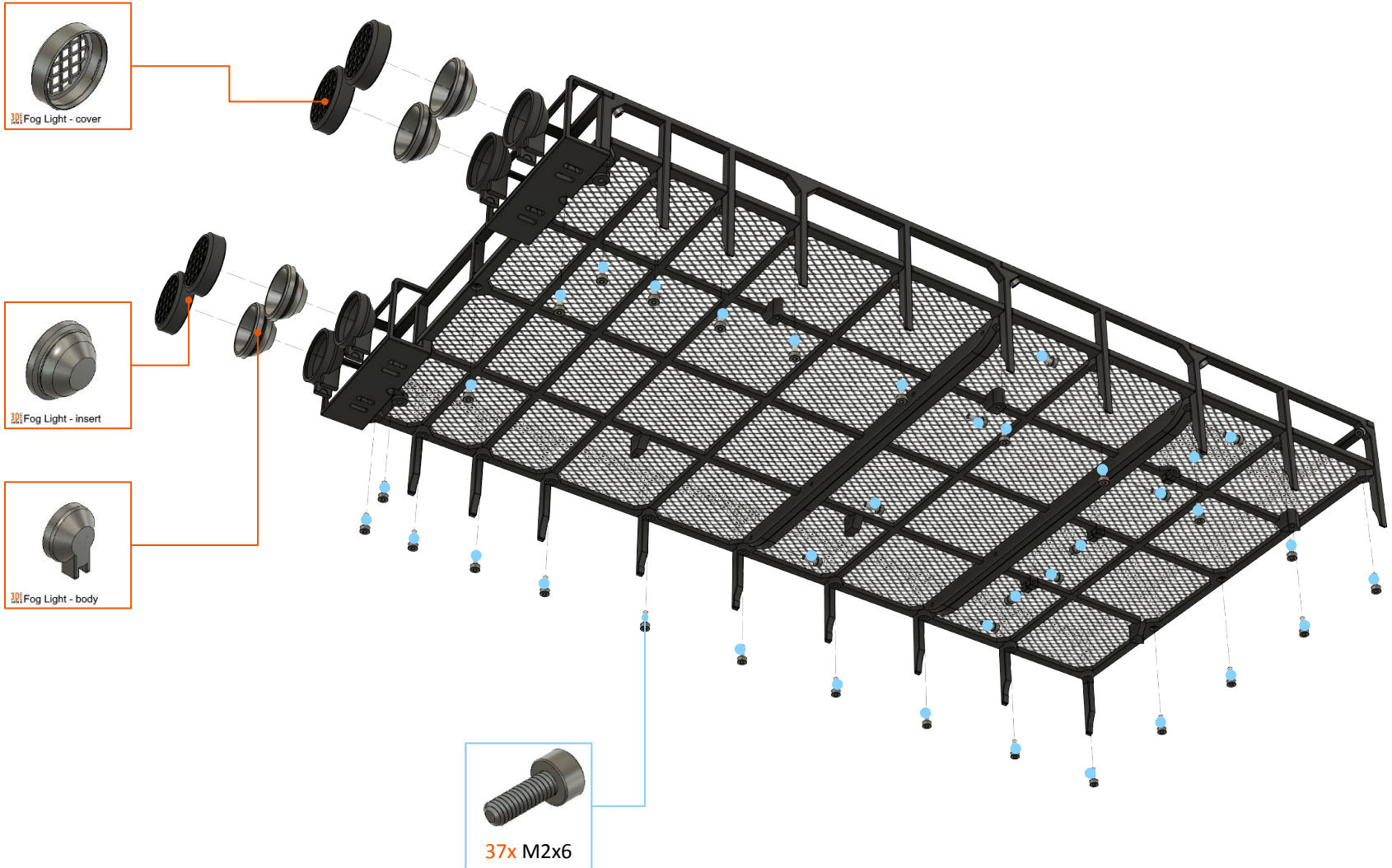
Roof Rack – for Landy Hardtop: step 2/4



Roof Rack – for Landy Wagon: step 1/4



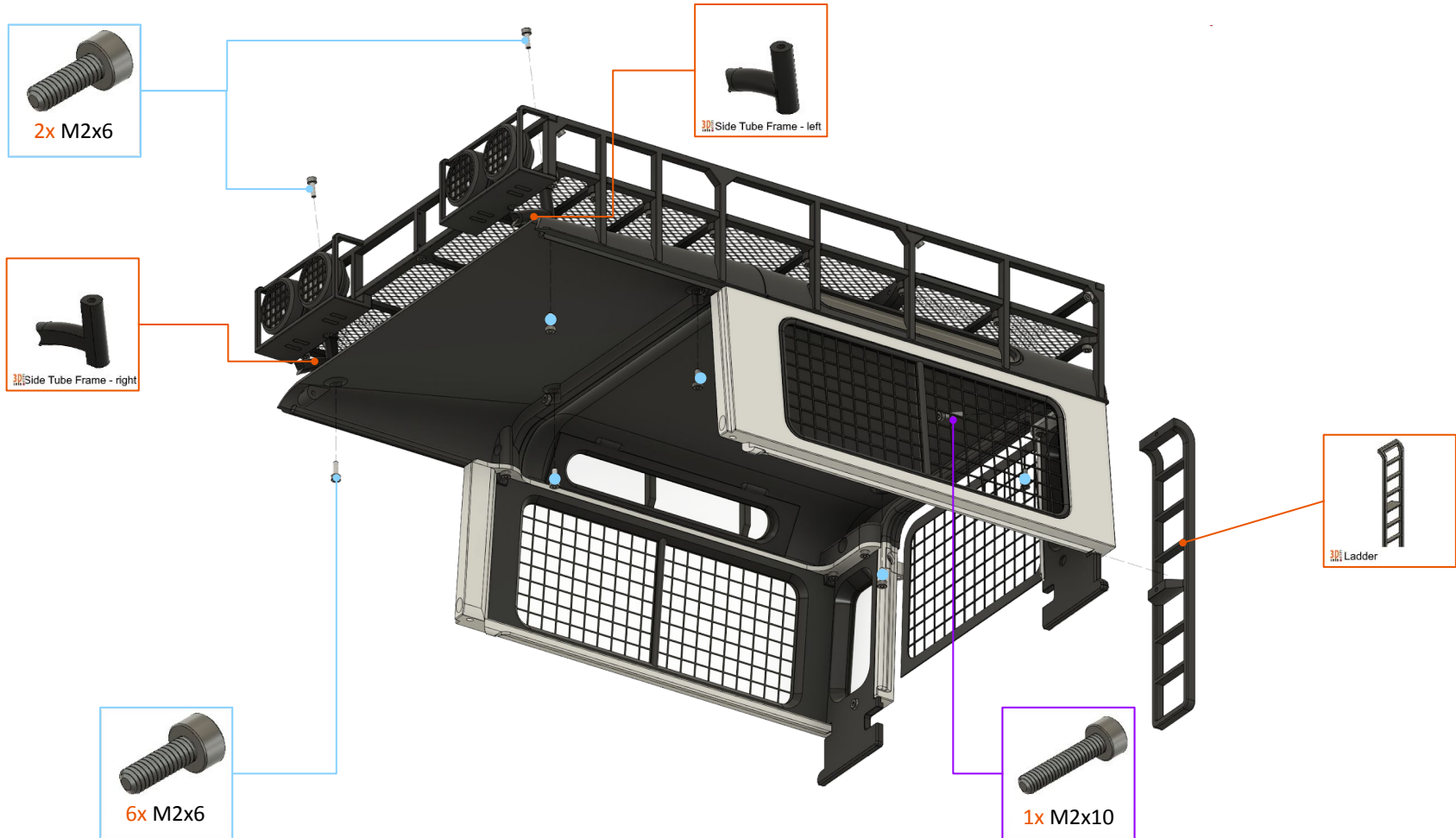
Roof Rack – for Landy Wagon: step 2/4



Roof Rack: step 3/4



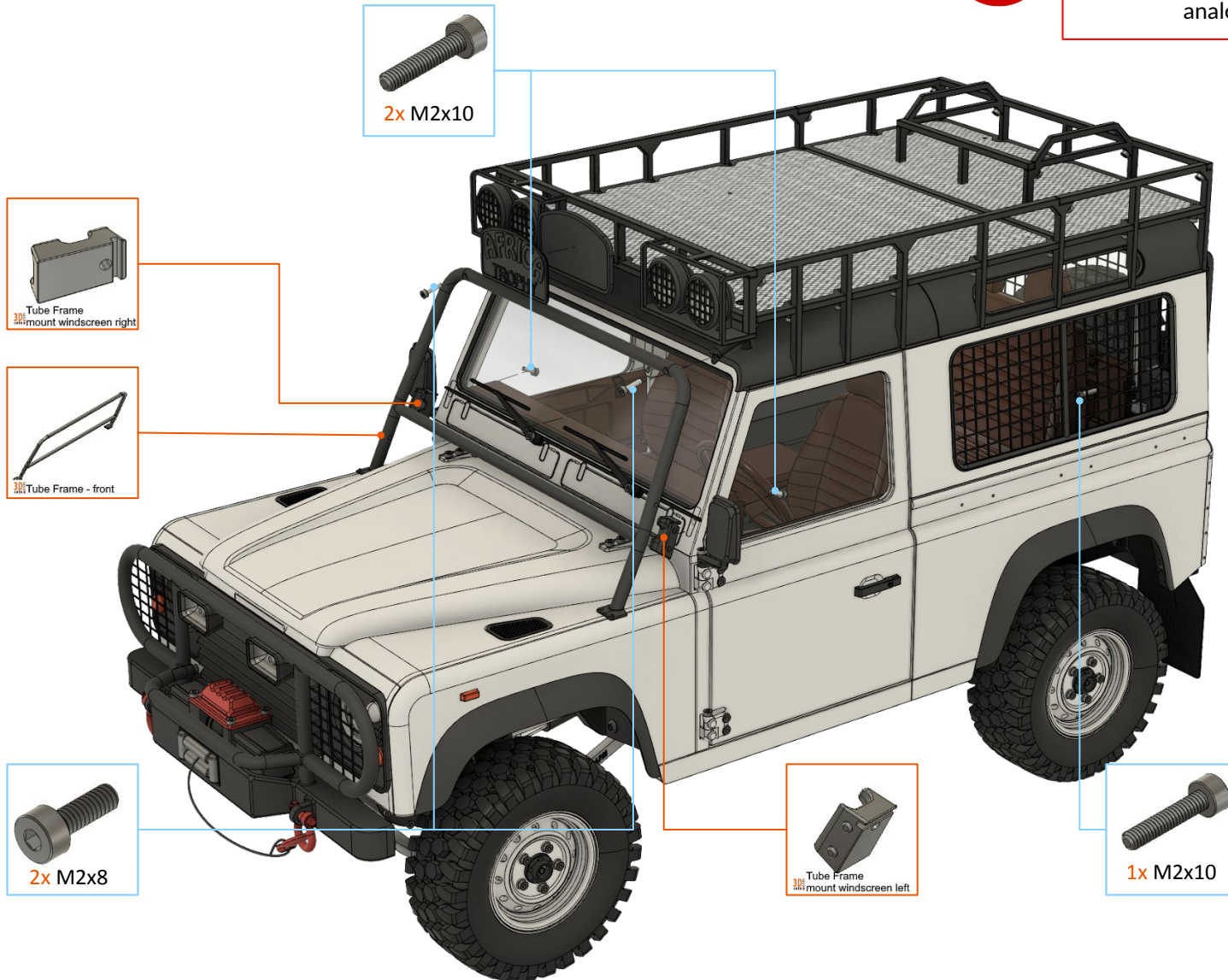
Rendering shows only the Landy Hardtop version – situation for Landy Wagon is analogous.



Roof Rack: step 4/4

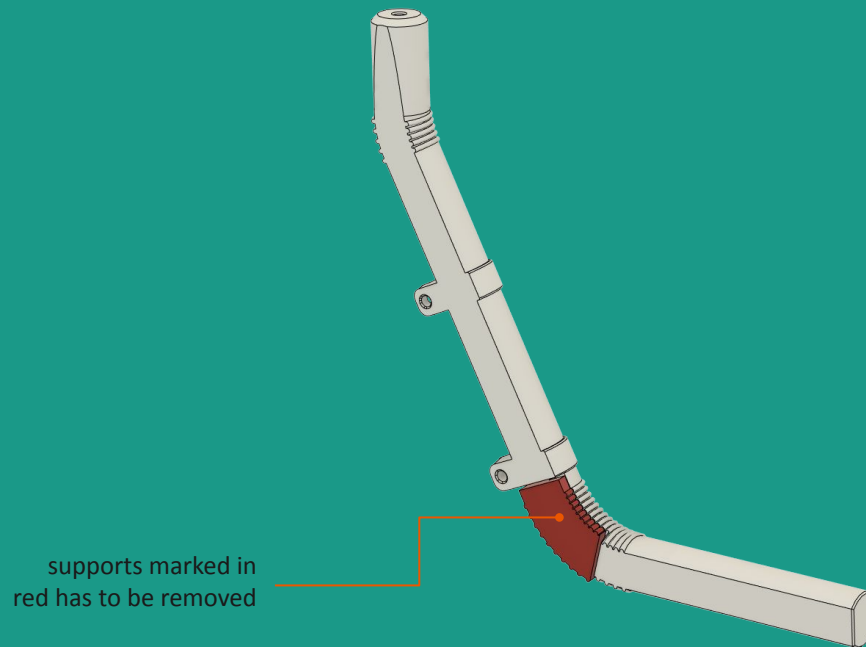


Rendering shows only the Landy Hardtop version – situation for Landy Wagon is analogous.



Snorkel– postprocessing

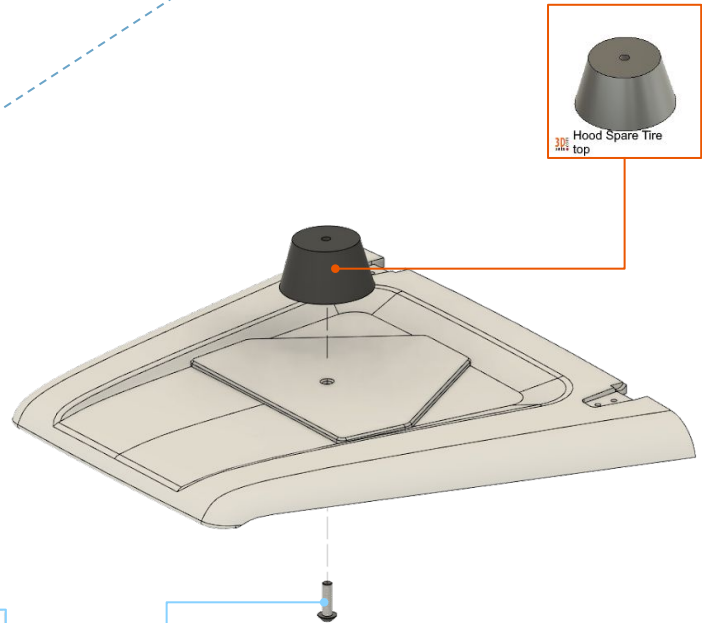
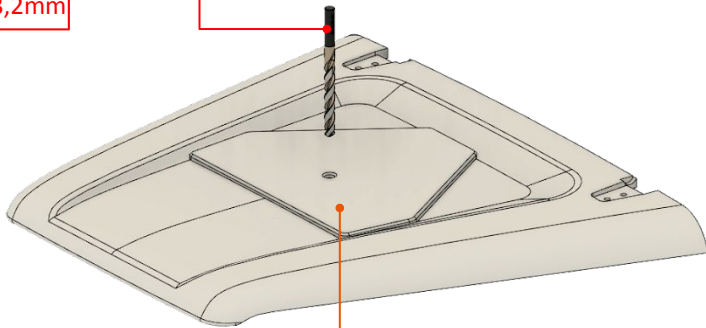
Before you start building Snorkel, carefully remove printing supports (marked red) integrated into specific parts rendered below. You can use pliers and a sharp knife to make the procedure easier. Be very careful as you can harm yourself!



Snorkel: step 1-2/2



Hood Spare Tire: step 1-2/3



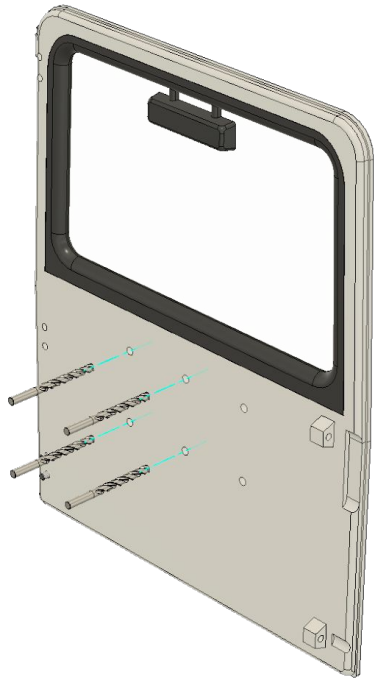
Hood Spare Tire: step 3/3



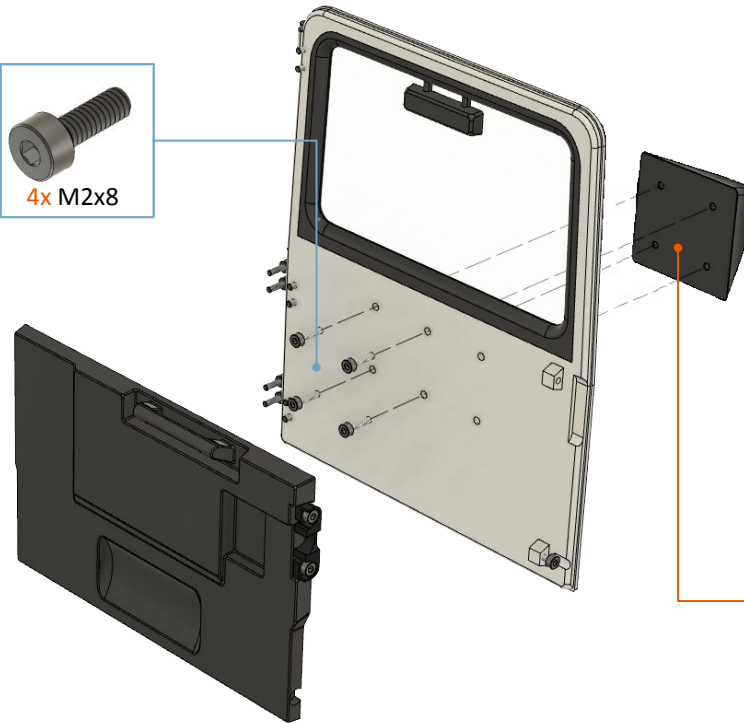
Rendering shows only the Landy Hardtop version – situation for Landy Wagon is analogous.



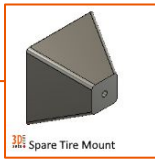
Rear Spare Tire – step 1-2/3



Drill only 4 specific holes - spare wheel is intended to be mounted off-axis!



Replace standard Rear Door Outer Frame with new one - with grille window protection.



Rear Spare Tire – step 3/3



Rendering shows only the
Landy Hardtop version –
situation for Landy Wagon is
analogous.



2xM3x16

Africa Trophy: final



Rendering shows only the
Landy Hardtop version –
situation for Landy Wagon is
analogous.

Now you can print included
accessories:

- jerry cans (4 pcs. will fit into
the roof rack holder)
- plastic containers
- aluminium boxes
- recovery boards (2 pcs.)

