



Build Guide - Offroad Kit for Model 3

Accessory for “Model 3: Landy 4×4 Pickup”
This set consist of 6 new/replacement parts:

- tube frame rollcage
- snorkel air intake
- fender air intakes
- high-clearance fender flares
- bumper fog lights
- wheel type E

www.3dsets.com
[3dsets Facebook](#) 

Version 1.0



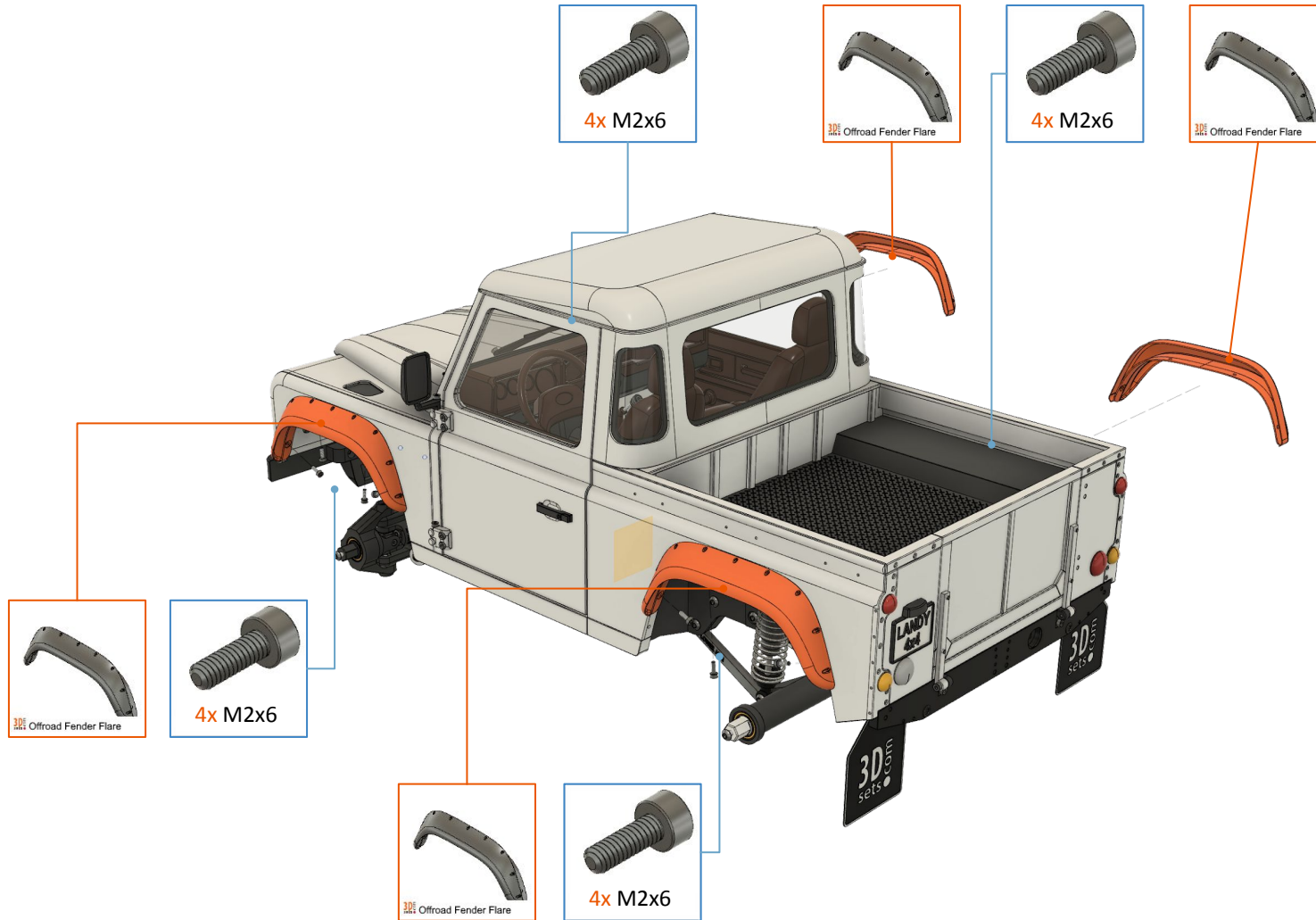


Offroad Kit

What do you need?

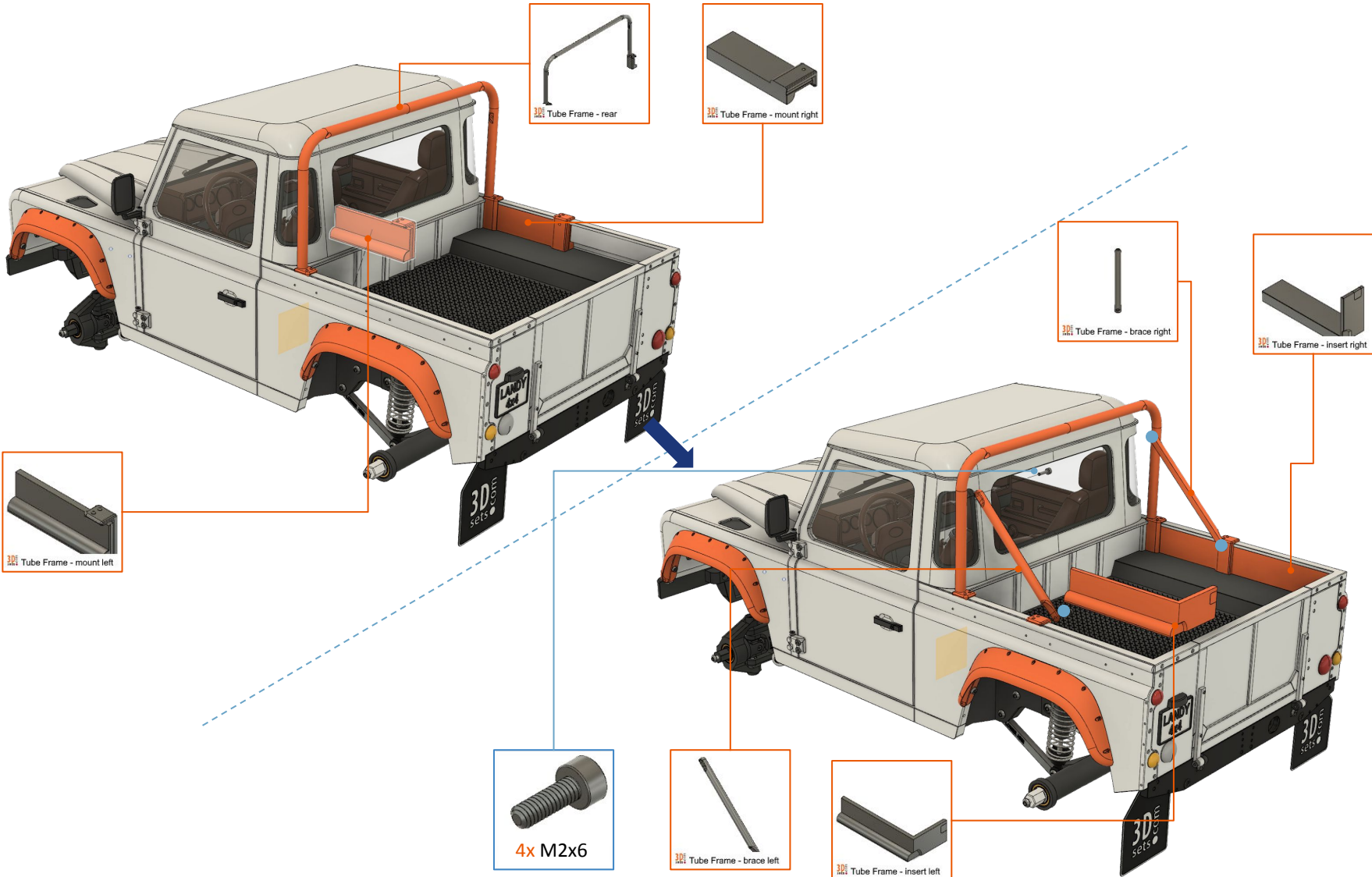
- This accessory is compatible with our Model 3: Landy 4x4 - Pickup so you need one, of course :-)
- Print Filament: To print this accessory you will need 290 g of print filament in total and it is tested with the PLA material.
- Screws:
 - M2x6: 40pcs
 - M2x8: 1pcs
 - M2x10: 8pcs
 - M3x10: 4pcs

Fender Flare – step 1/1



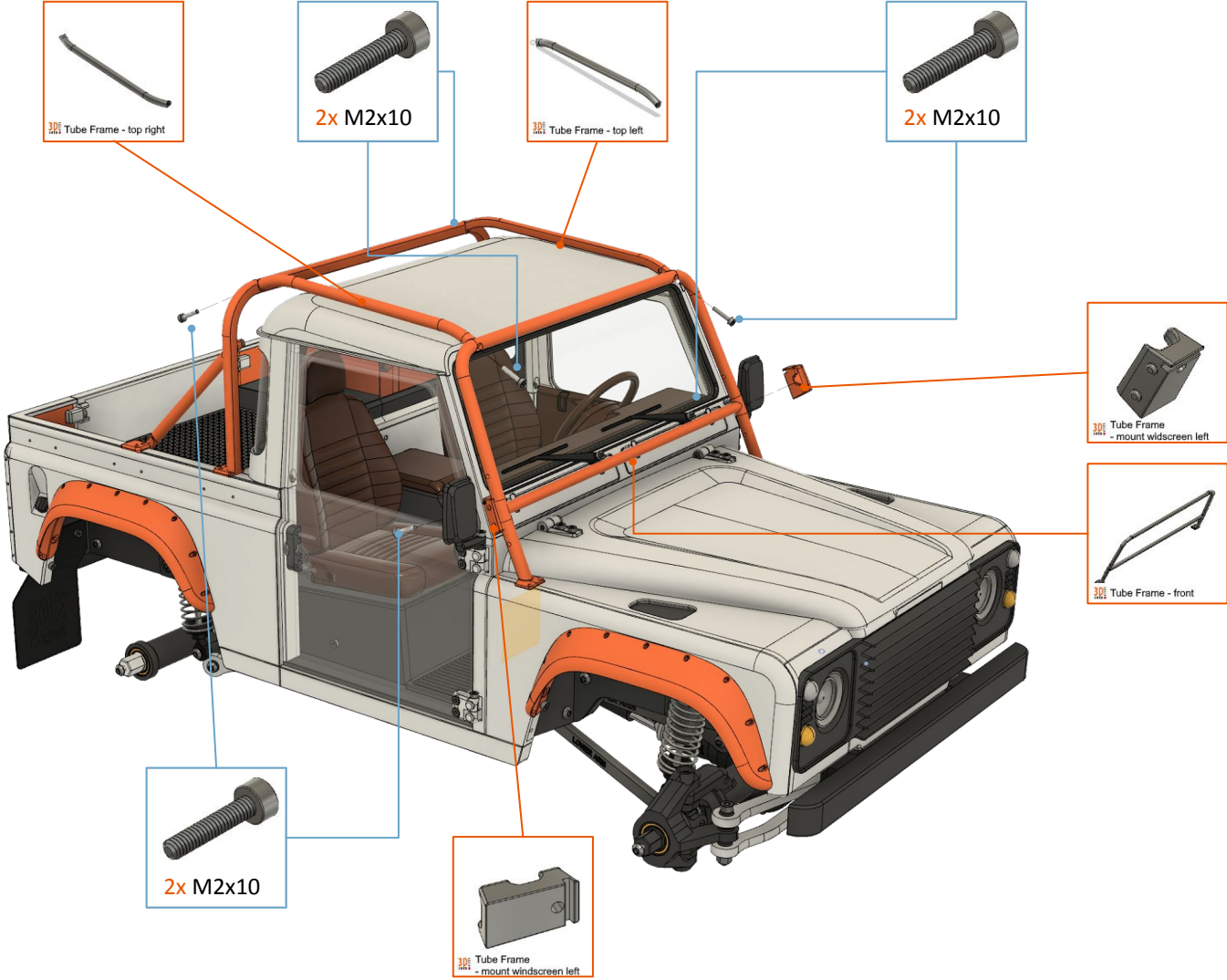


Tube Frame - step 1-2/3



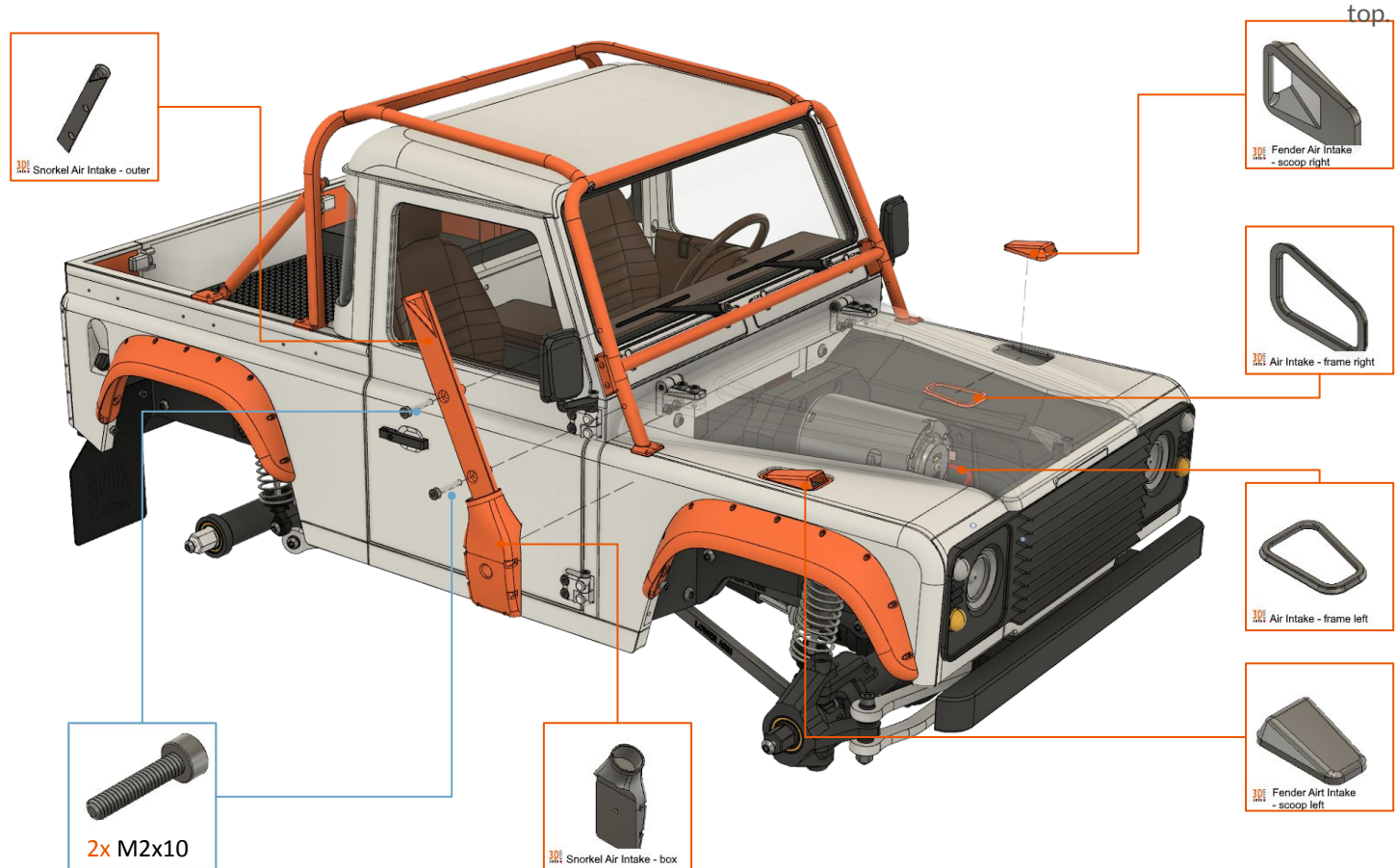


Tube Frame - step 3/3



Snorkel + Fender Air Intake - step 1/2

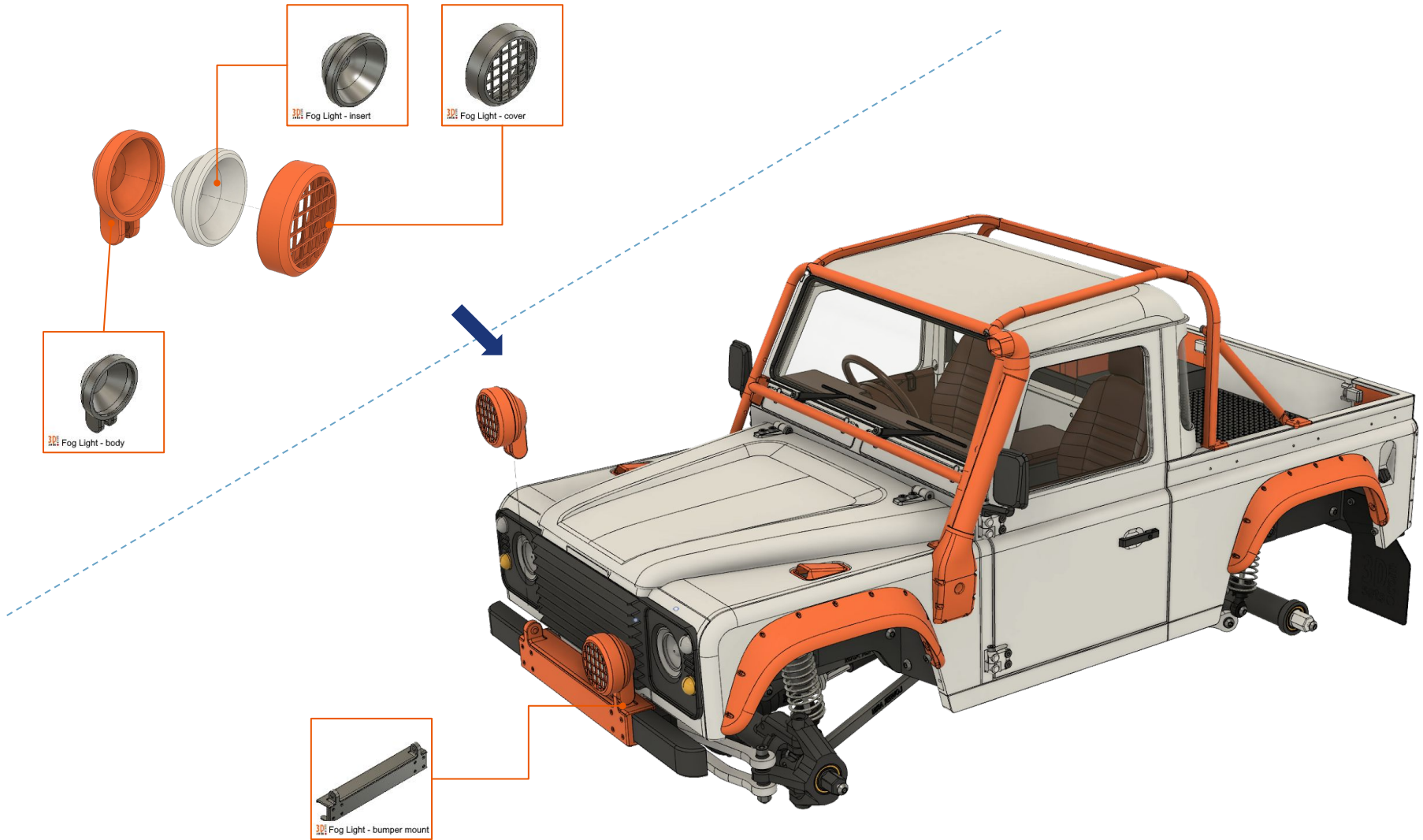
You can install the Fender Air Intakes without removing the fenders - just slide the "Air intake - frame" under the fender from the engine bay side. Then you can click-on the scoop part from the



Snorkel - step 2/2



Fog Lights - step 1-2/2





Wheel E - step 1/2





Wheel E - step 2/2





Offroad Kit for Model 3 - Landy 4x4 Pickup

