



Thunderbird 2

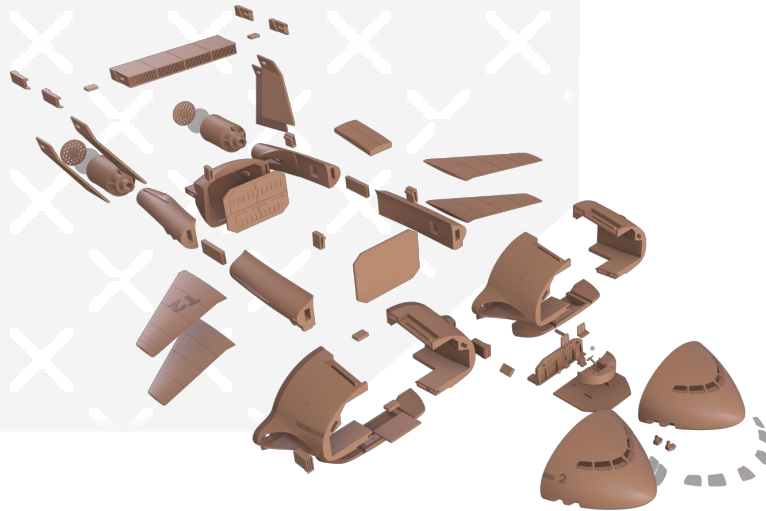
3D printing model

Assembly manual
for **FFF/FDM**

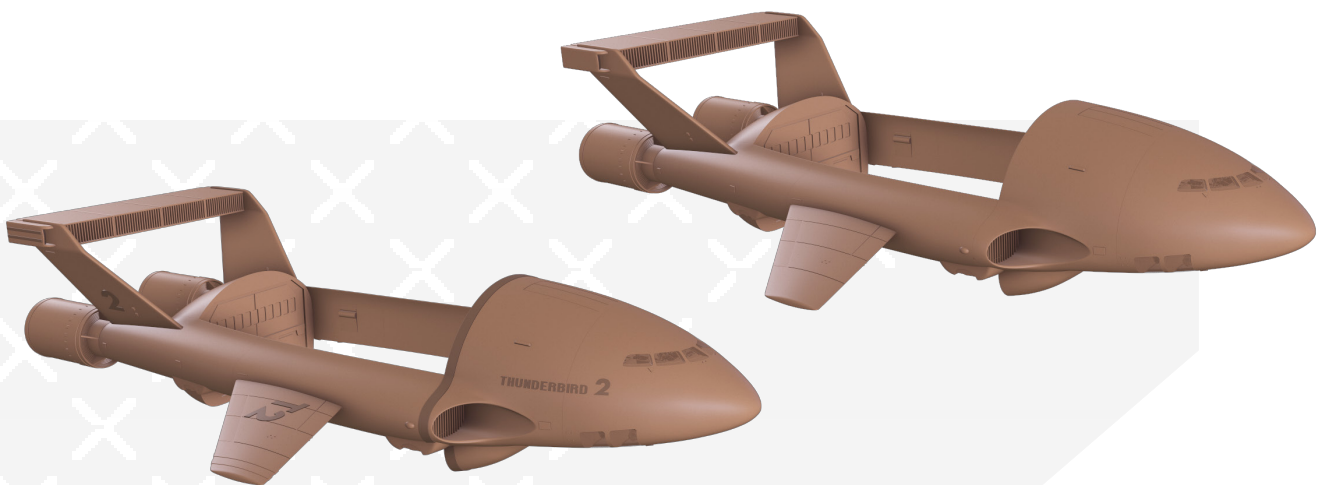
body

Garmin

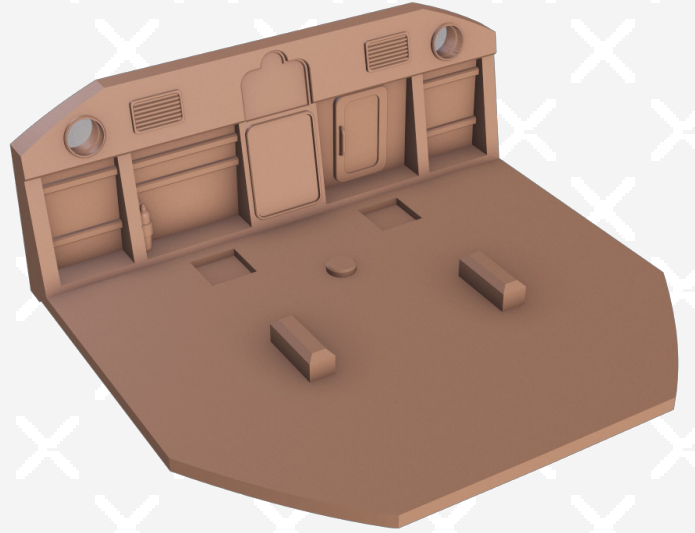
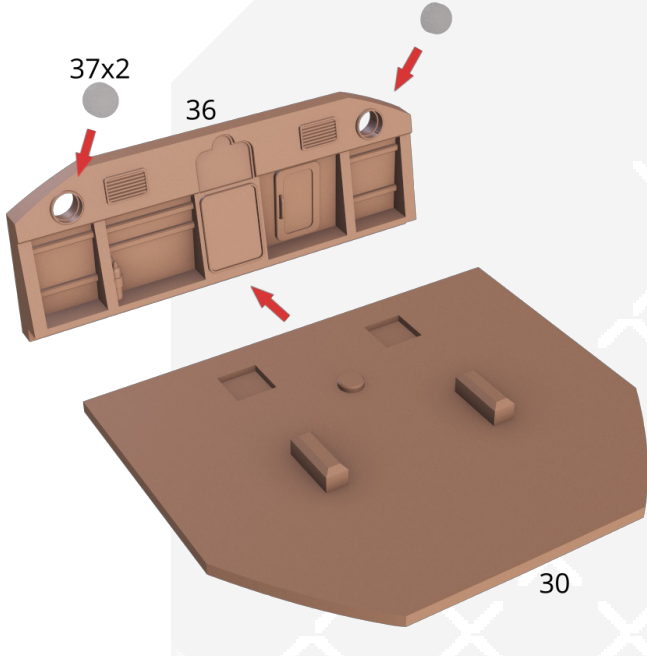
1



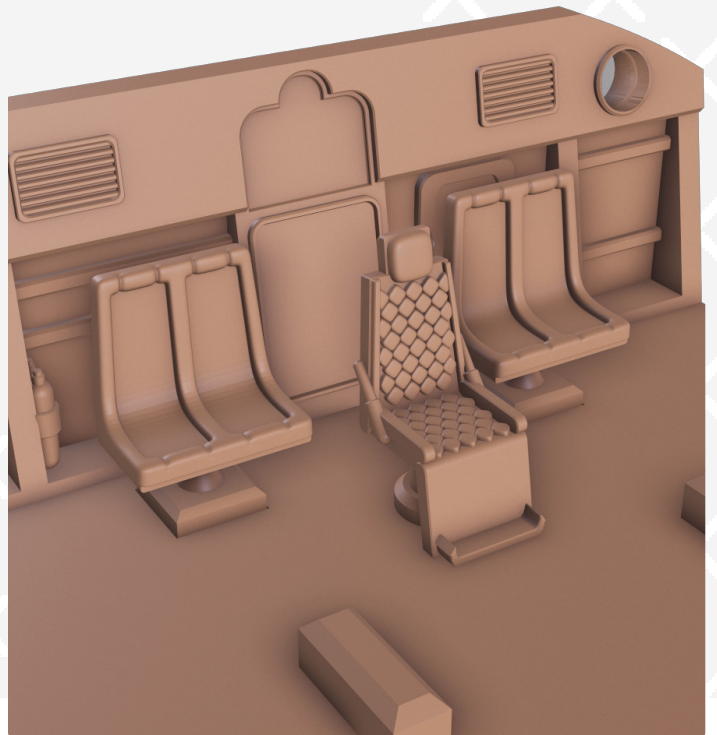
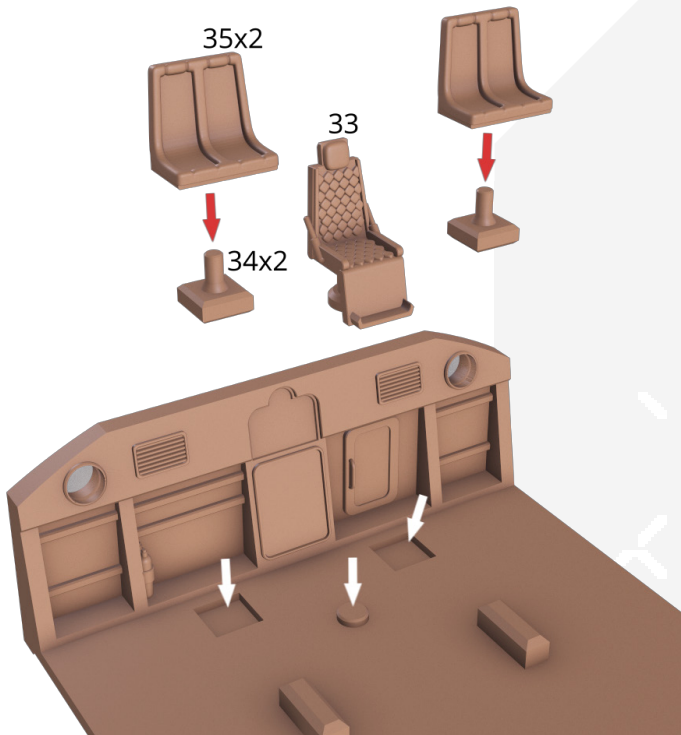
Two hull options - with the line and lettering (parts #1, 4, 6, 8, 19, 20, 23, 25, 49, 50) and clear (parts #2, 3, 5, 7, 18, 21, 24, 26, 51, 52).



2



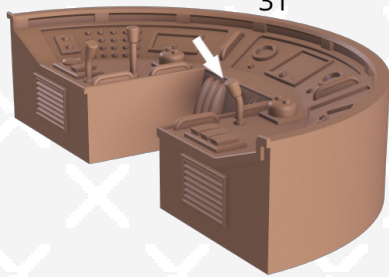
3



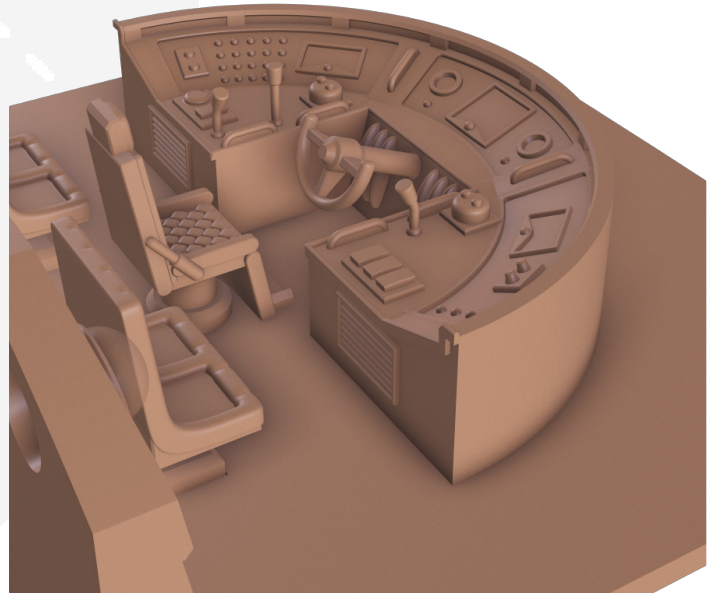
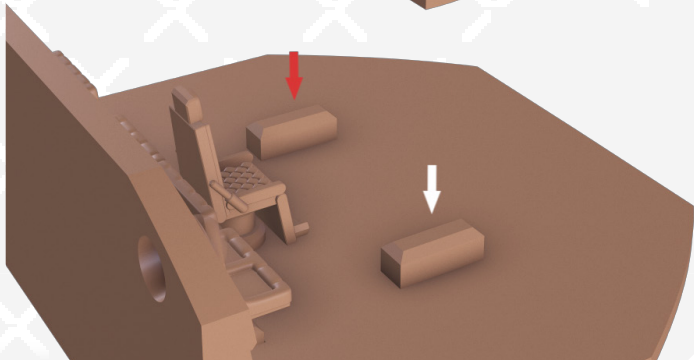
4



32

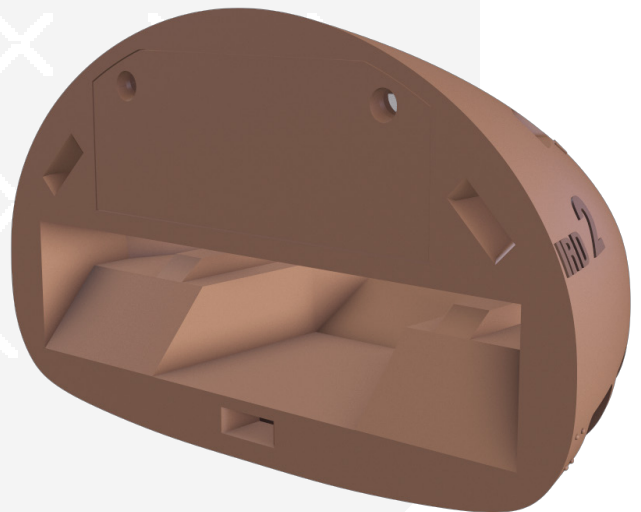
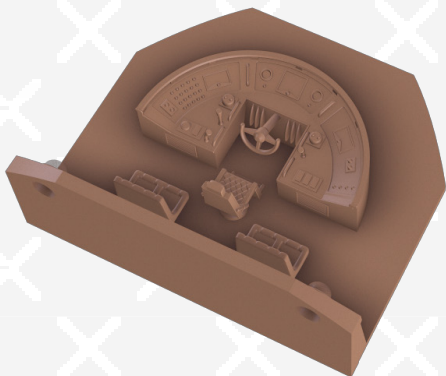
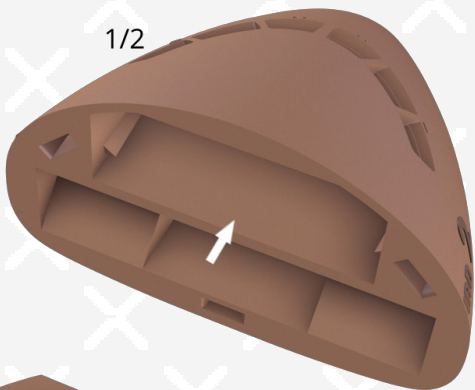


31

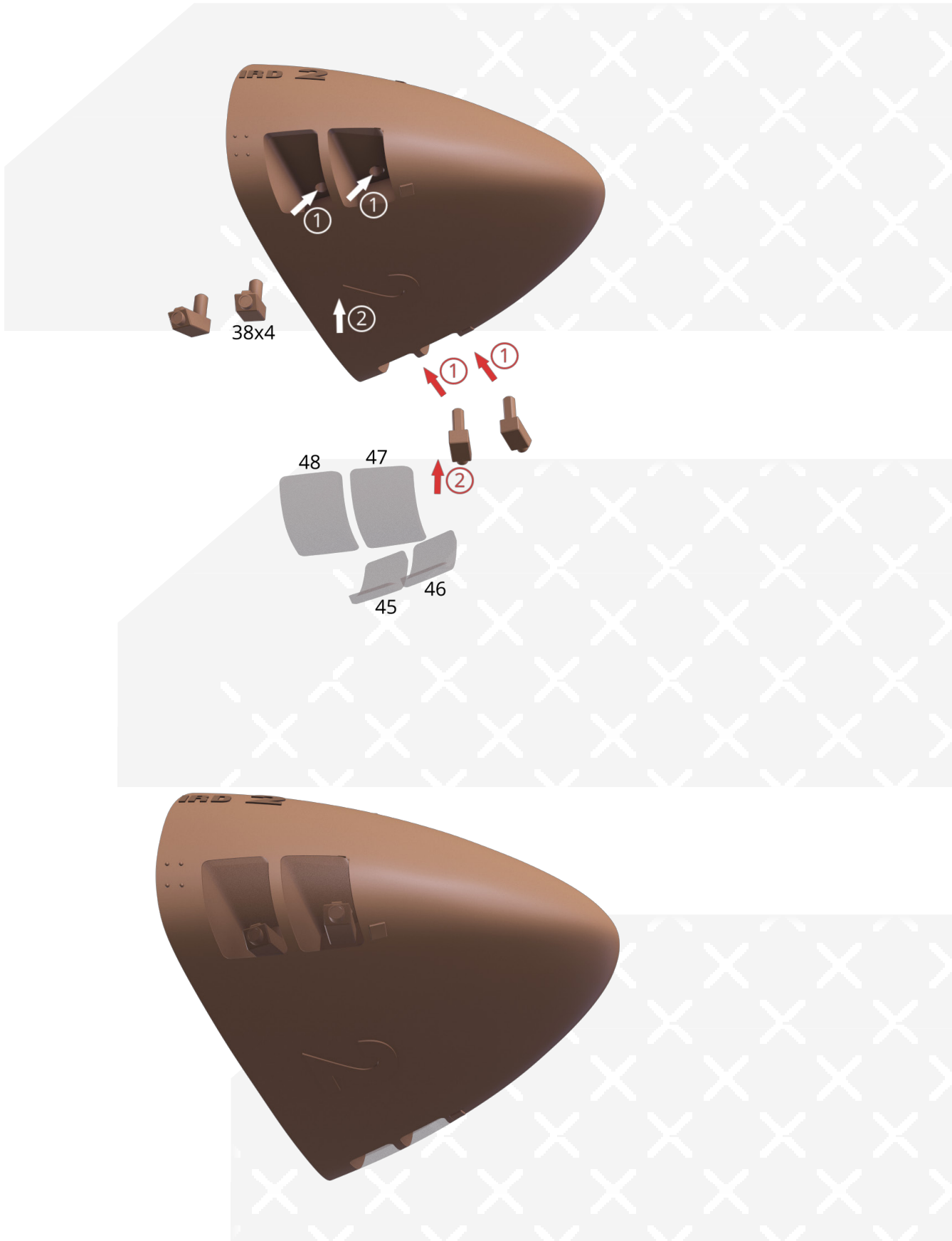


5

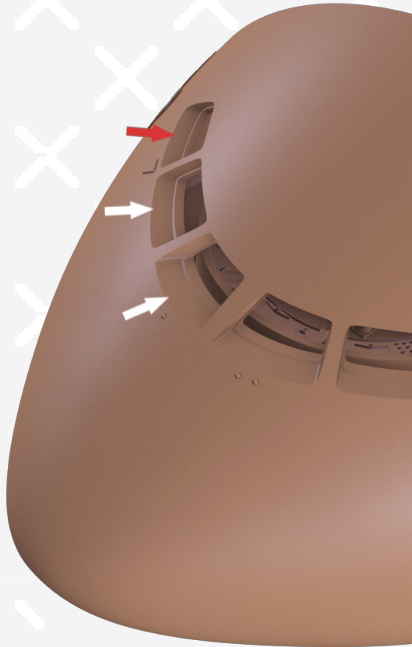
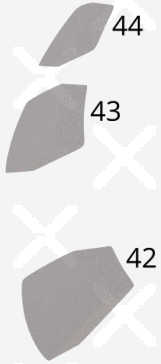
1/2



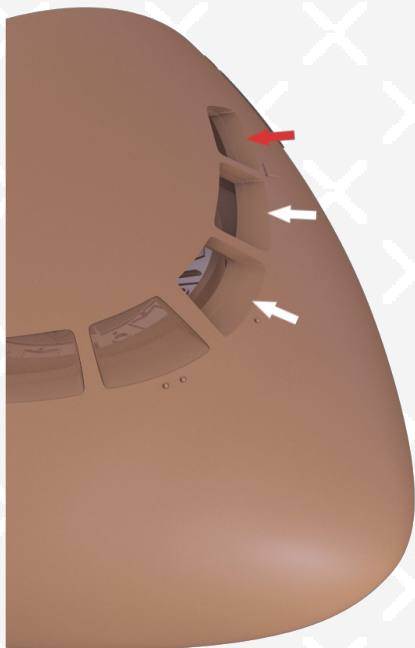
6



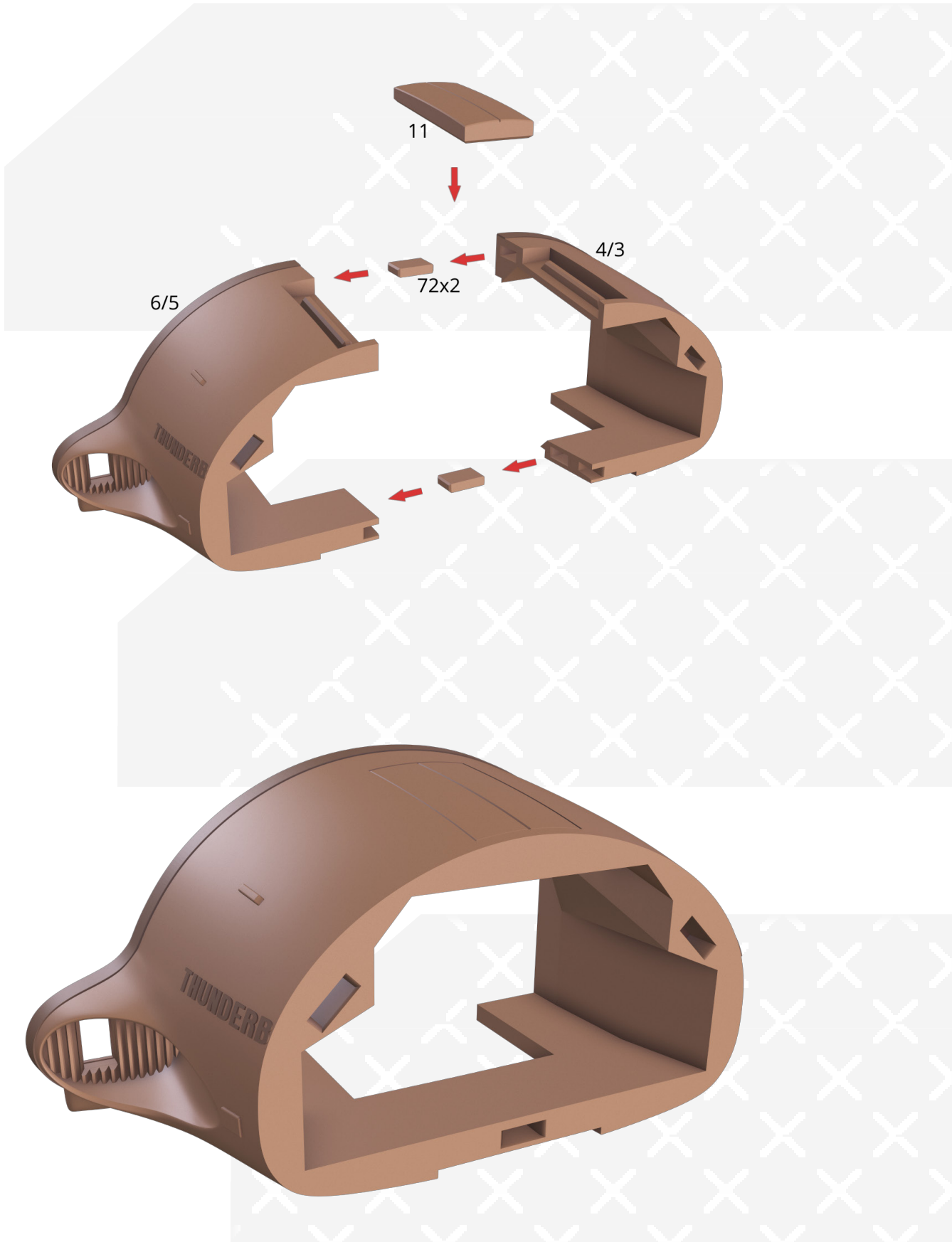
7



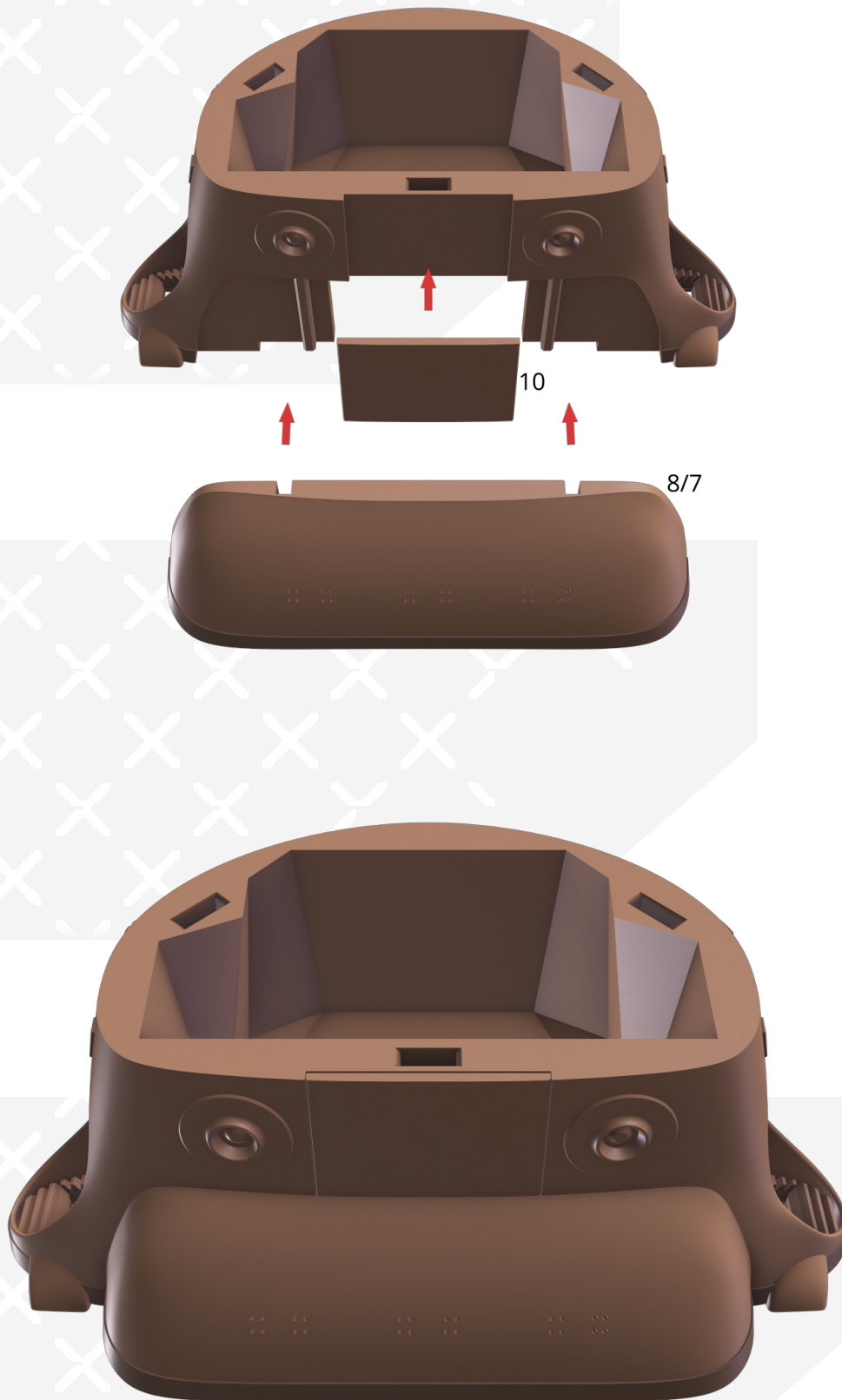
8



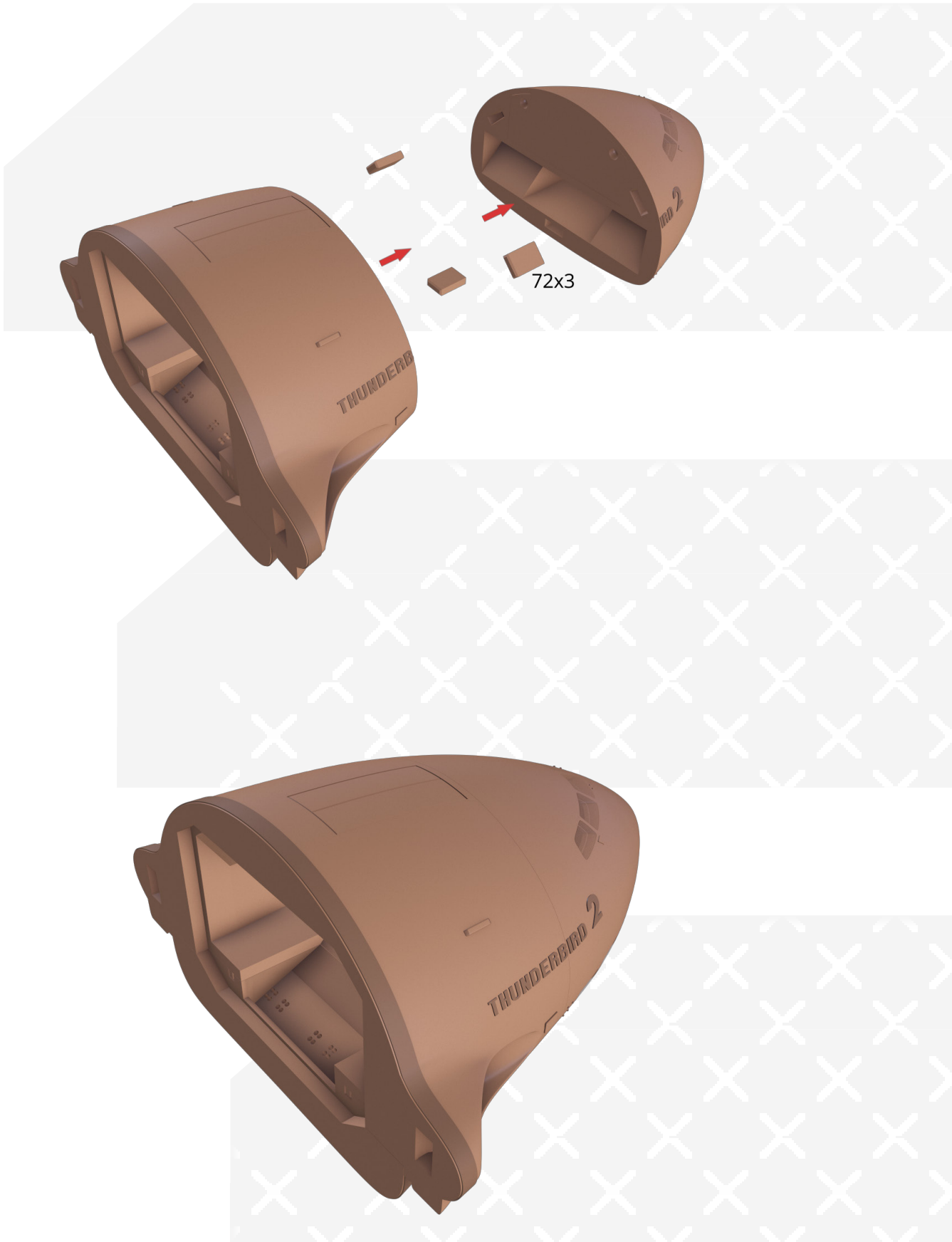
9



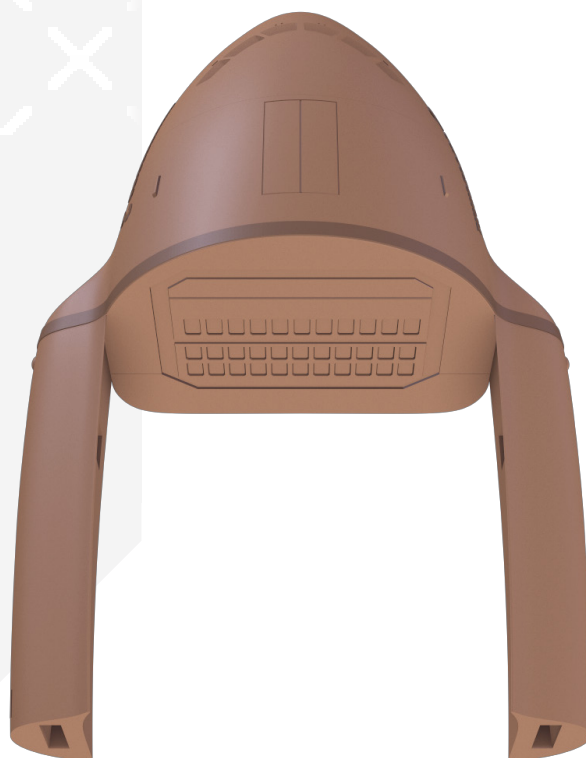
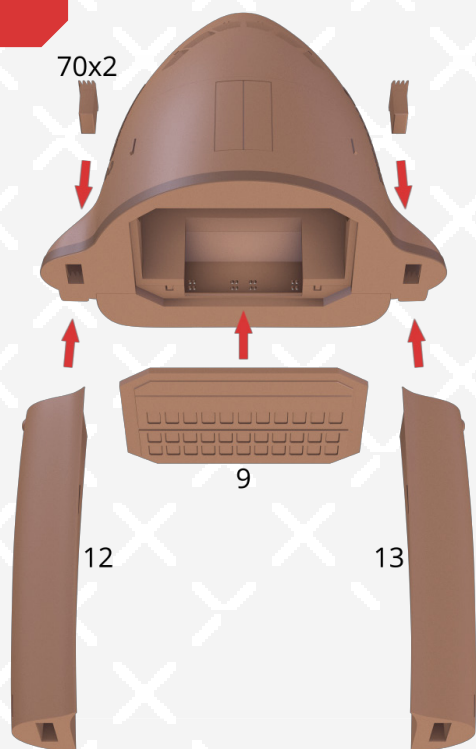
10



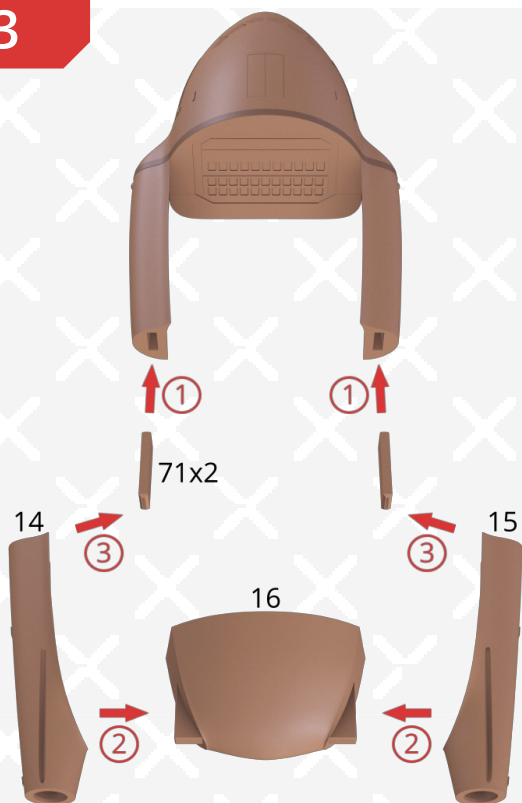
11



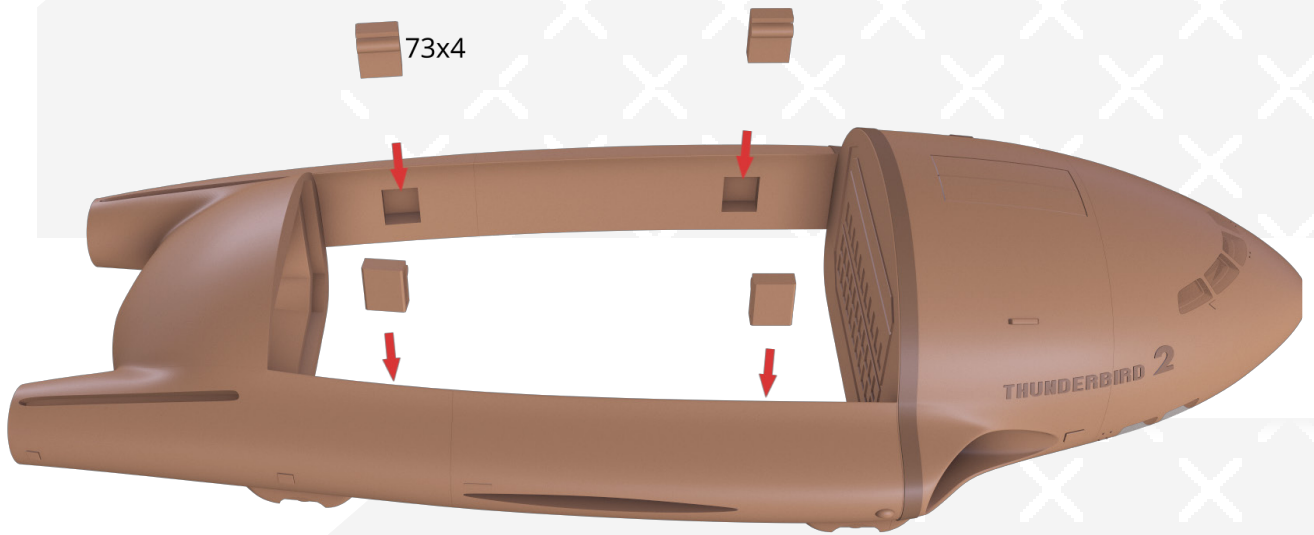
12



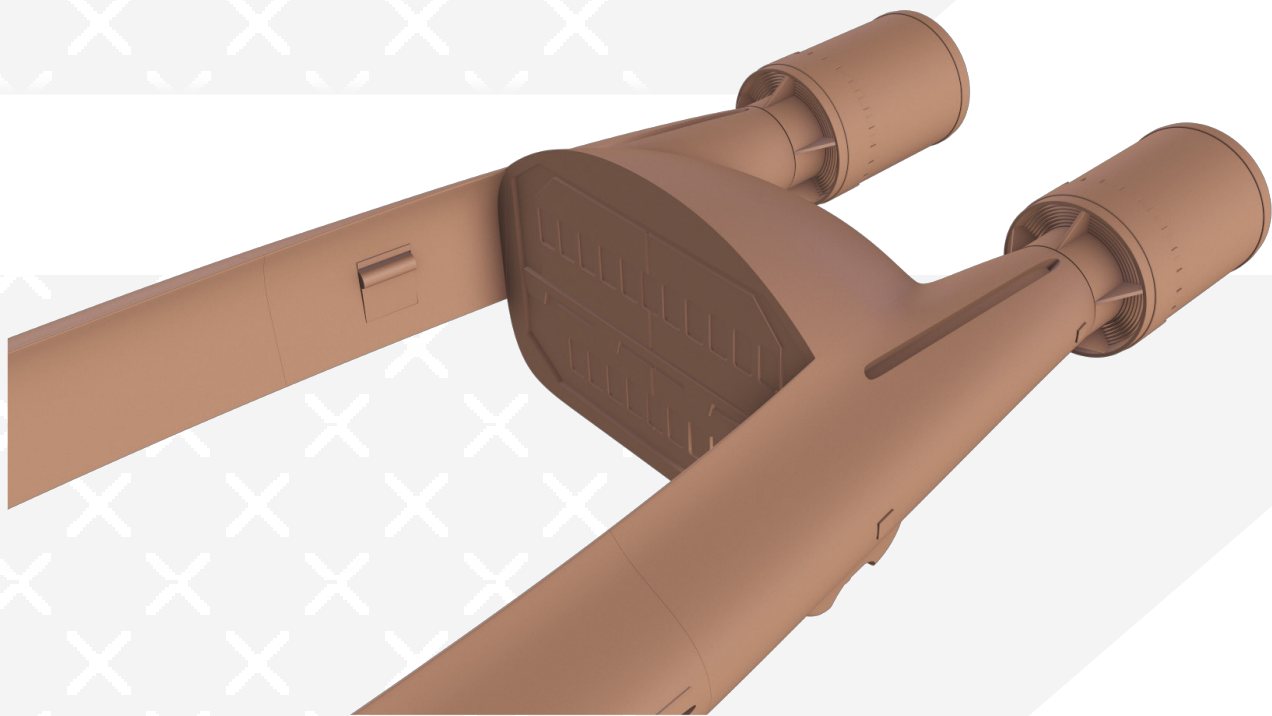
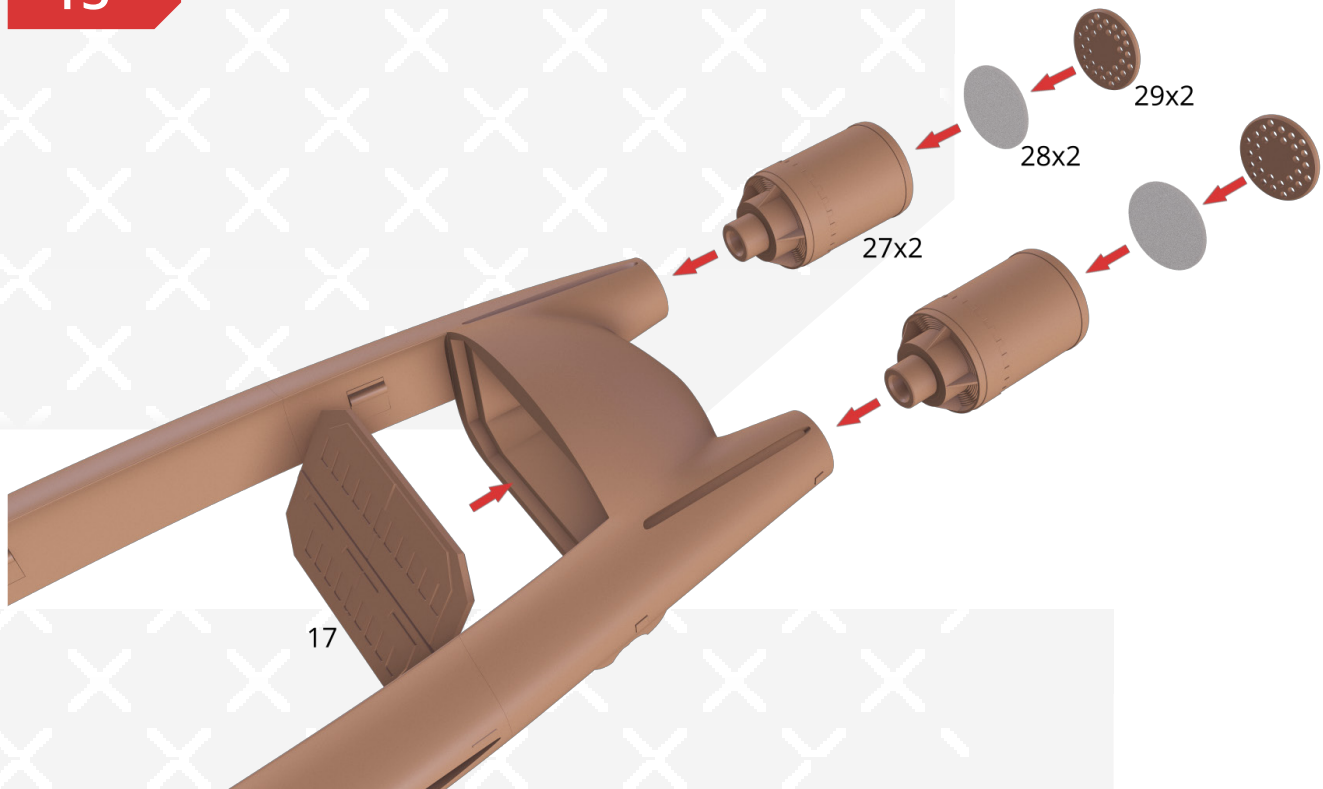
13



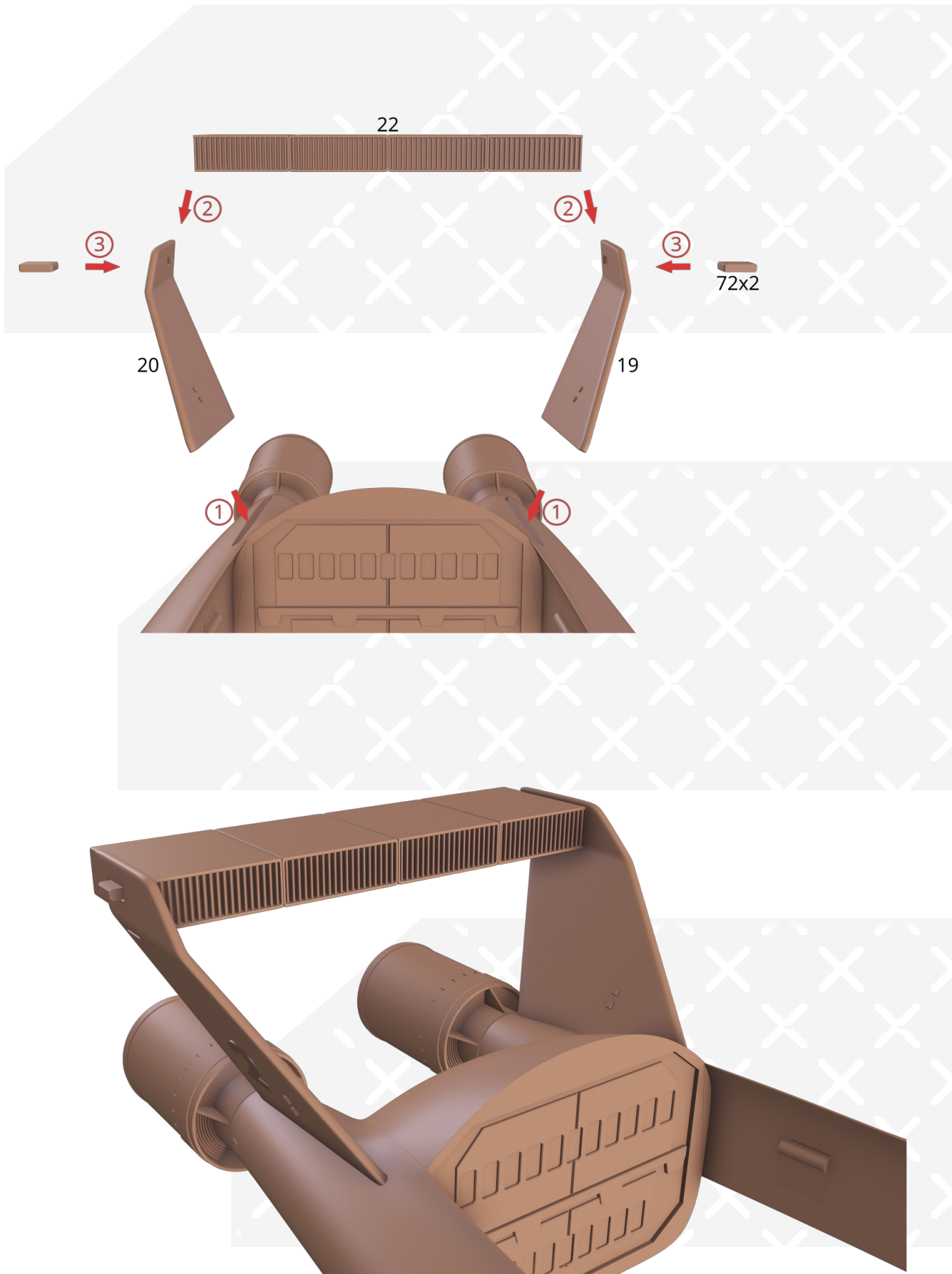
14



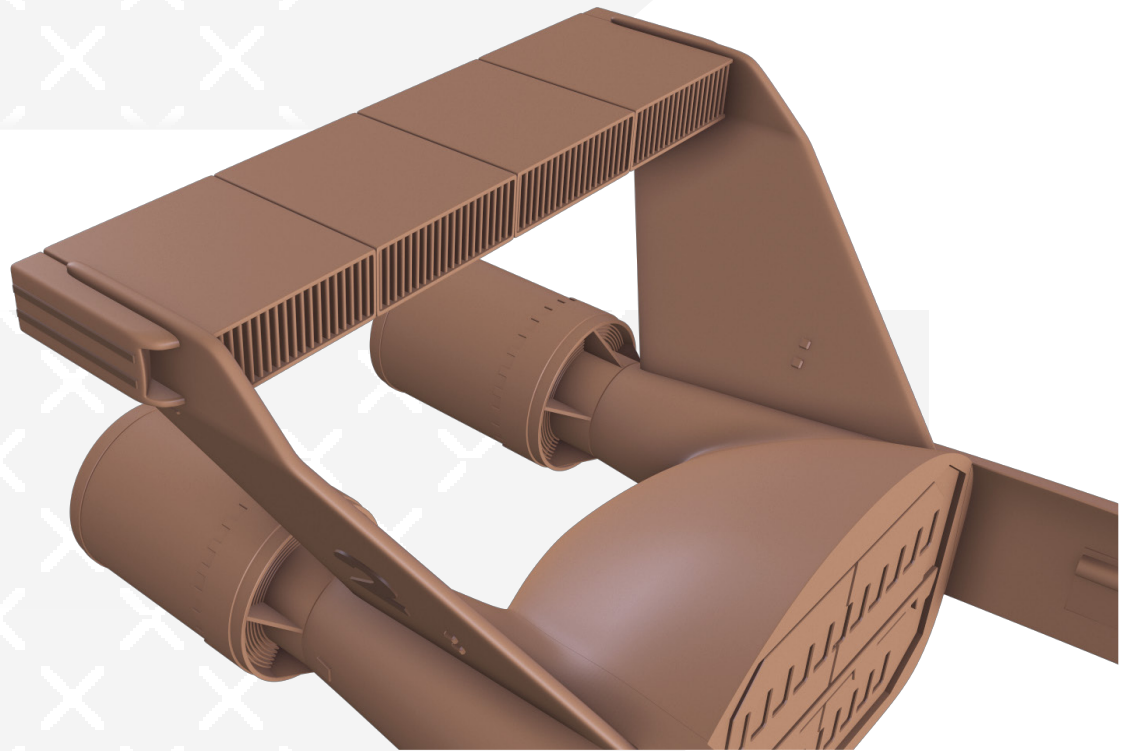
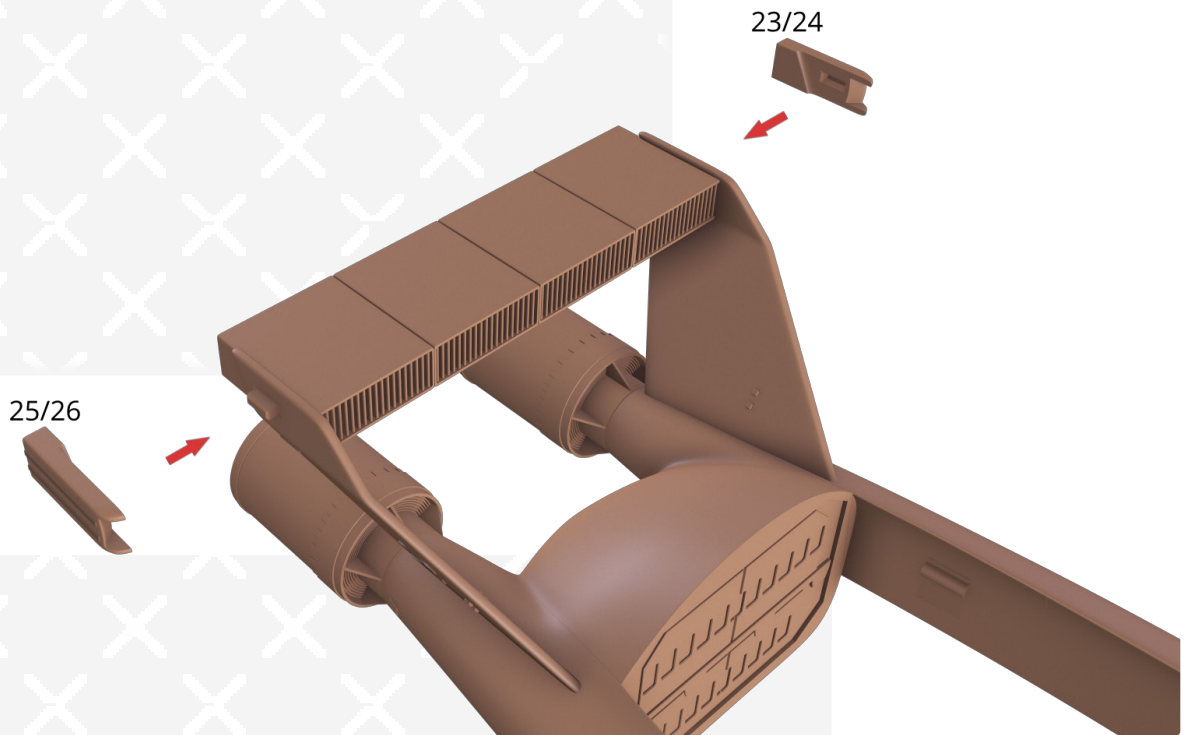
15



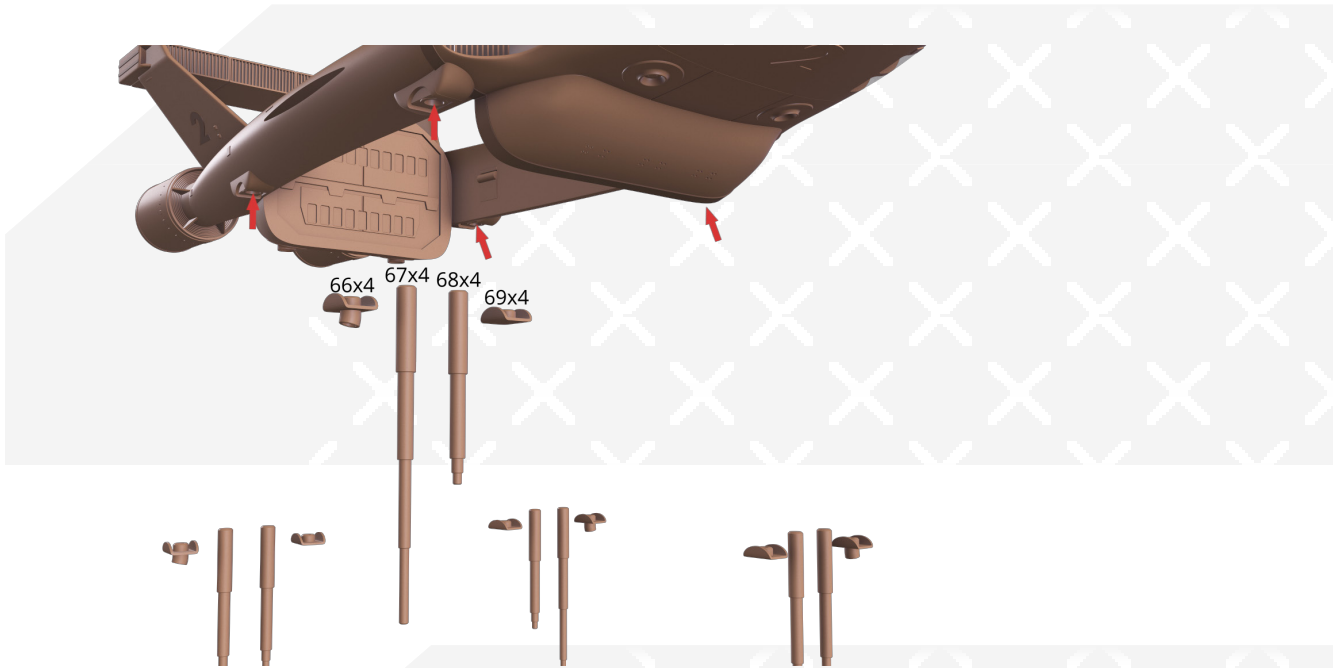
16



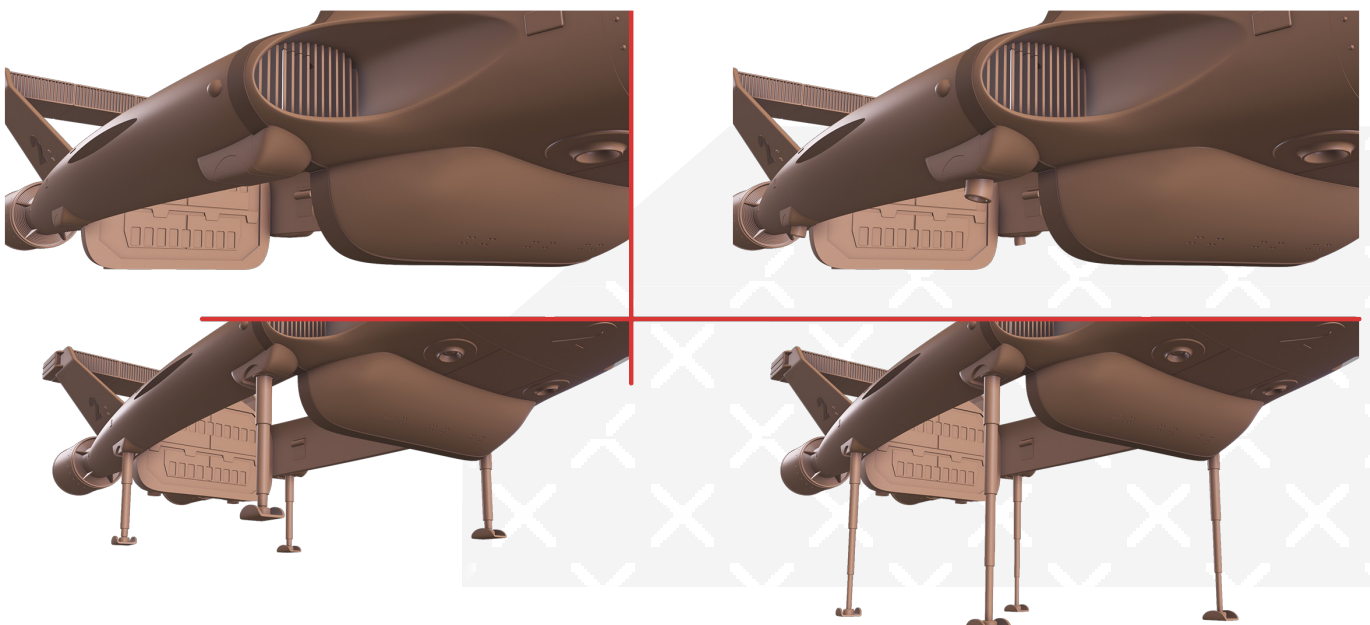
17



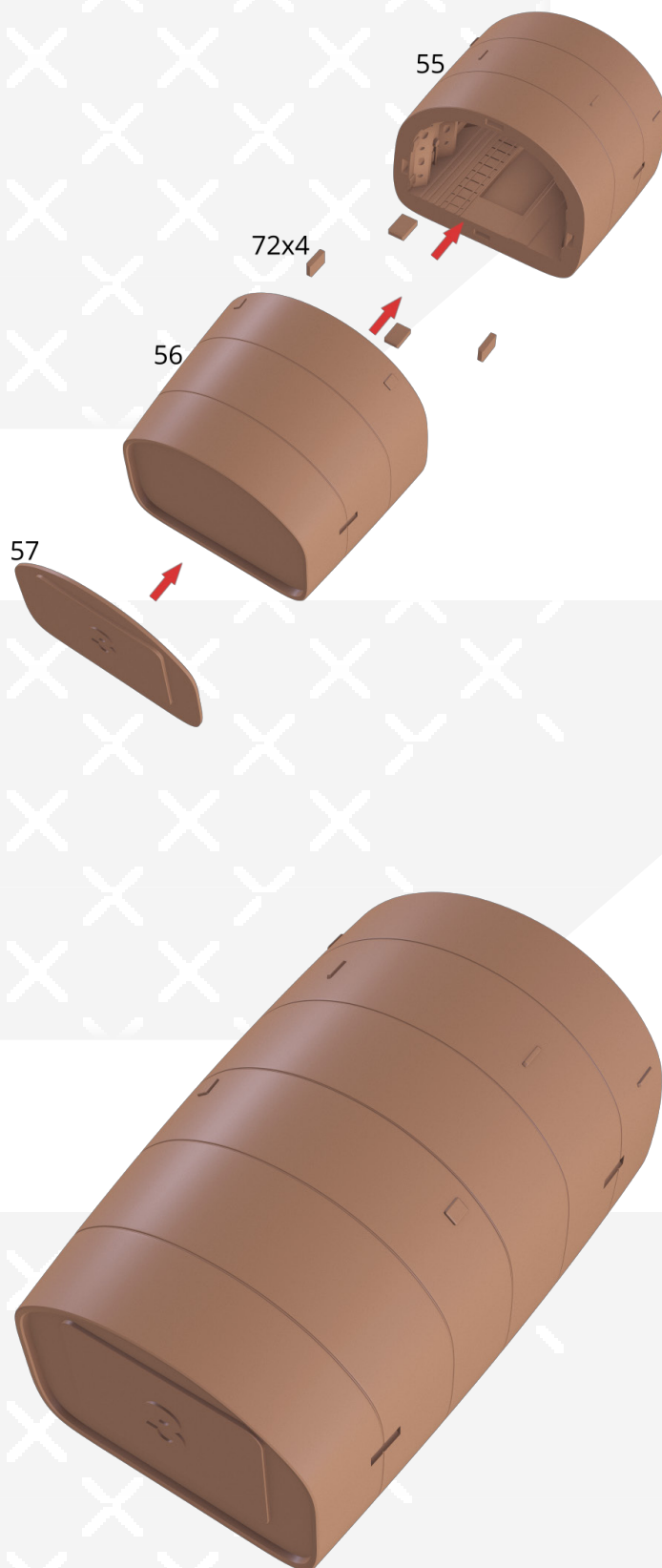
18



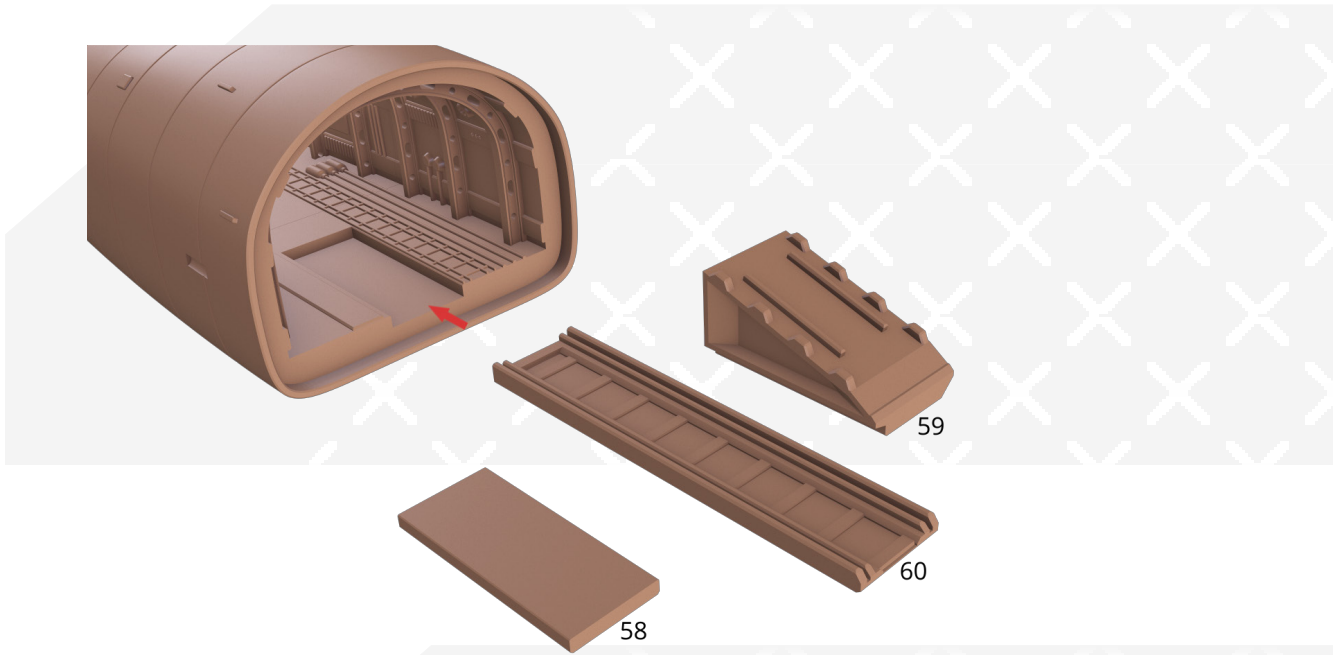
Two types of hydraulic legs - fully raised (for unfolding operations) (parts #67,69) and lowered to half (parts #68,69). Two options for covers - solid (part #69) and with nozzles (part #66).



19



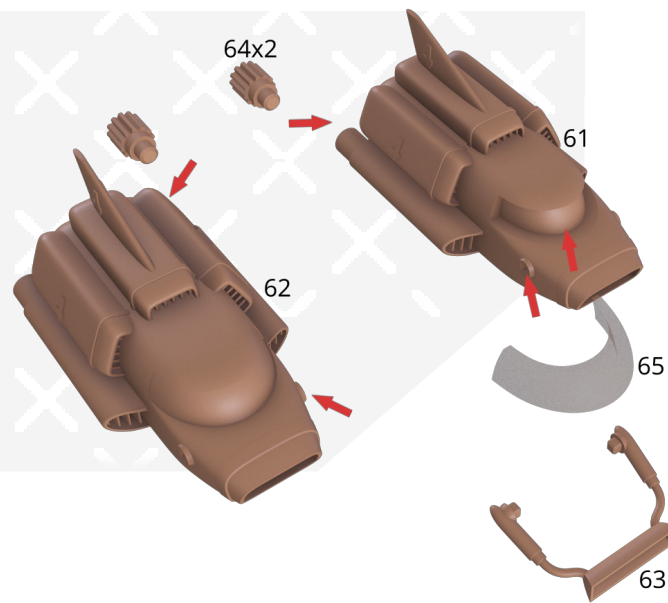
20



Two hangar design options - empty (parts #58,60) and with a ladder for Thunderbird 4 submarine (parts #59,60).



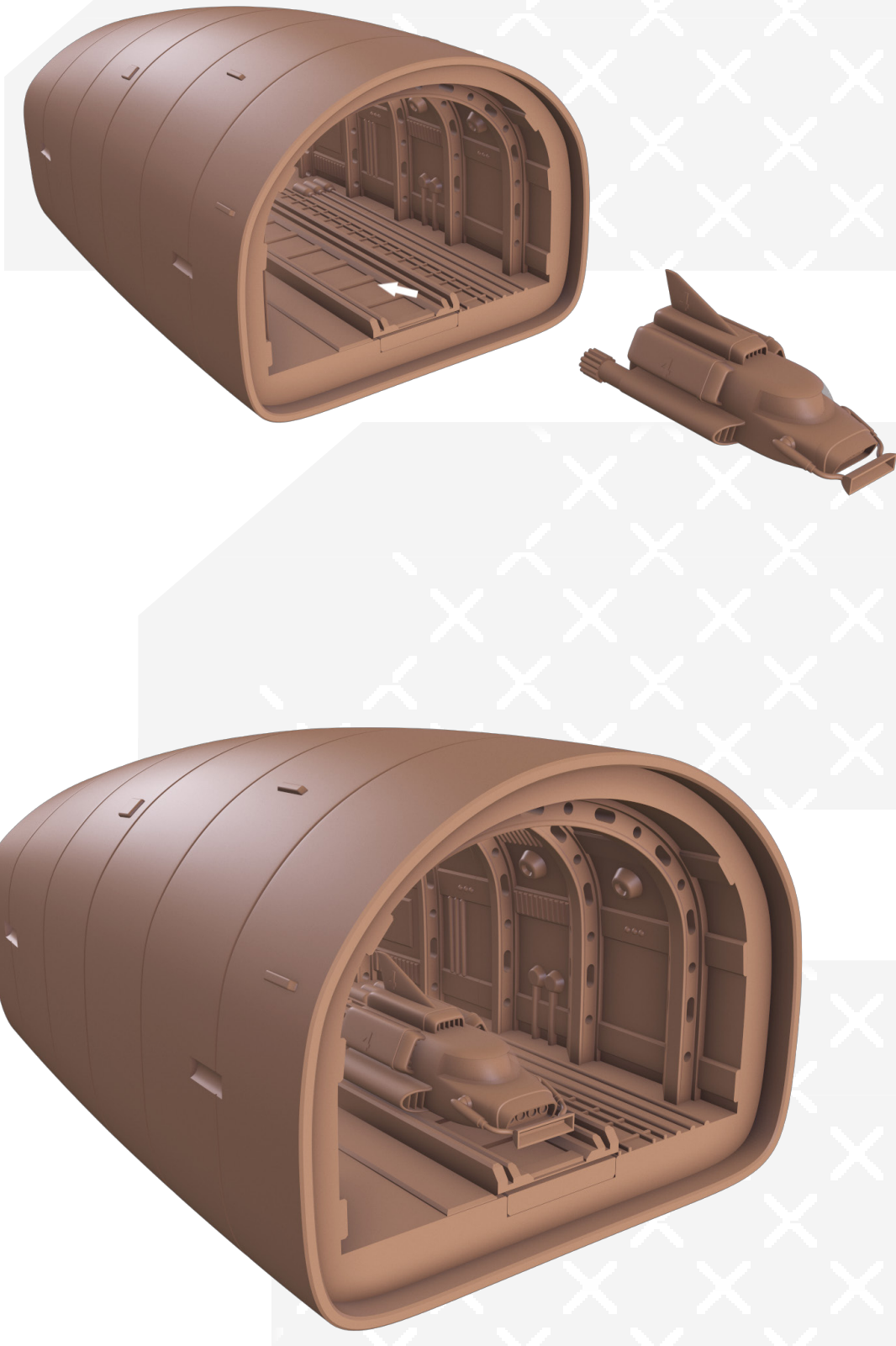
21



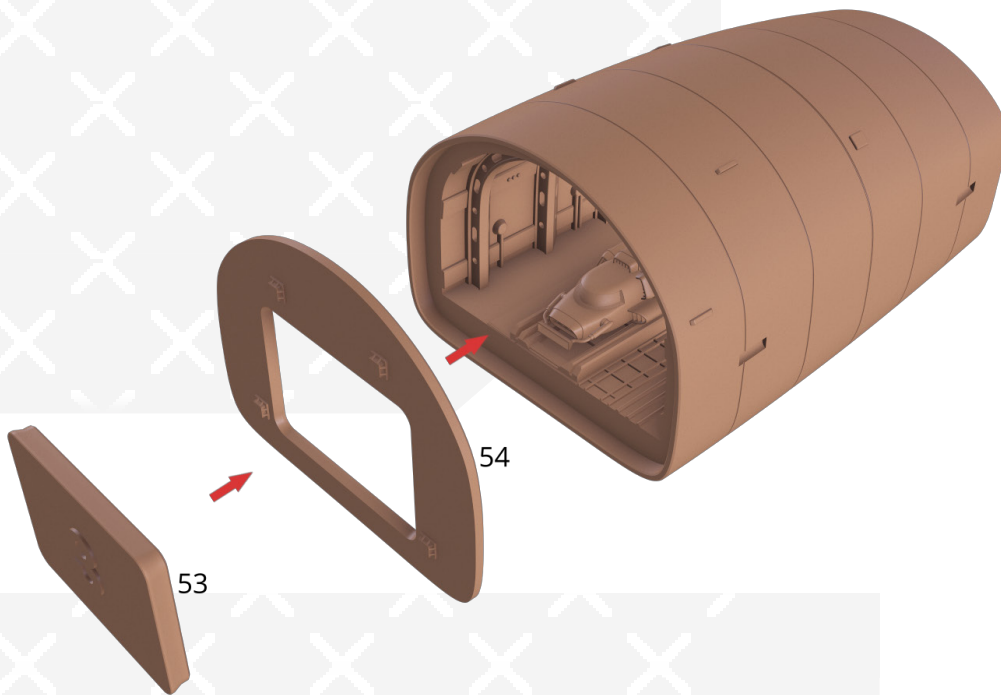
Thunderbird 4 has two hull design options - solid (part #62) and with a transparent cockpit glass (part #61).



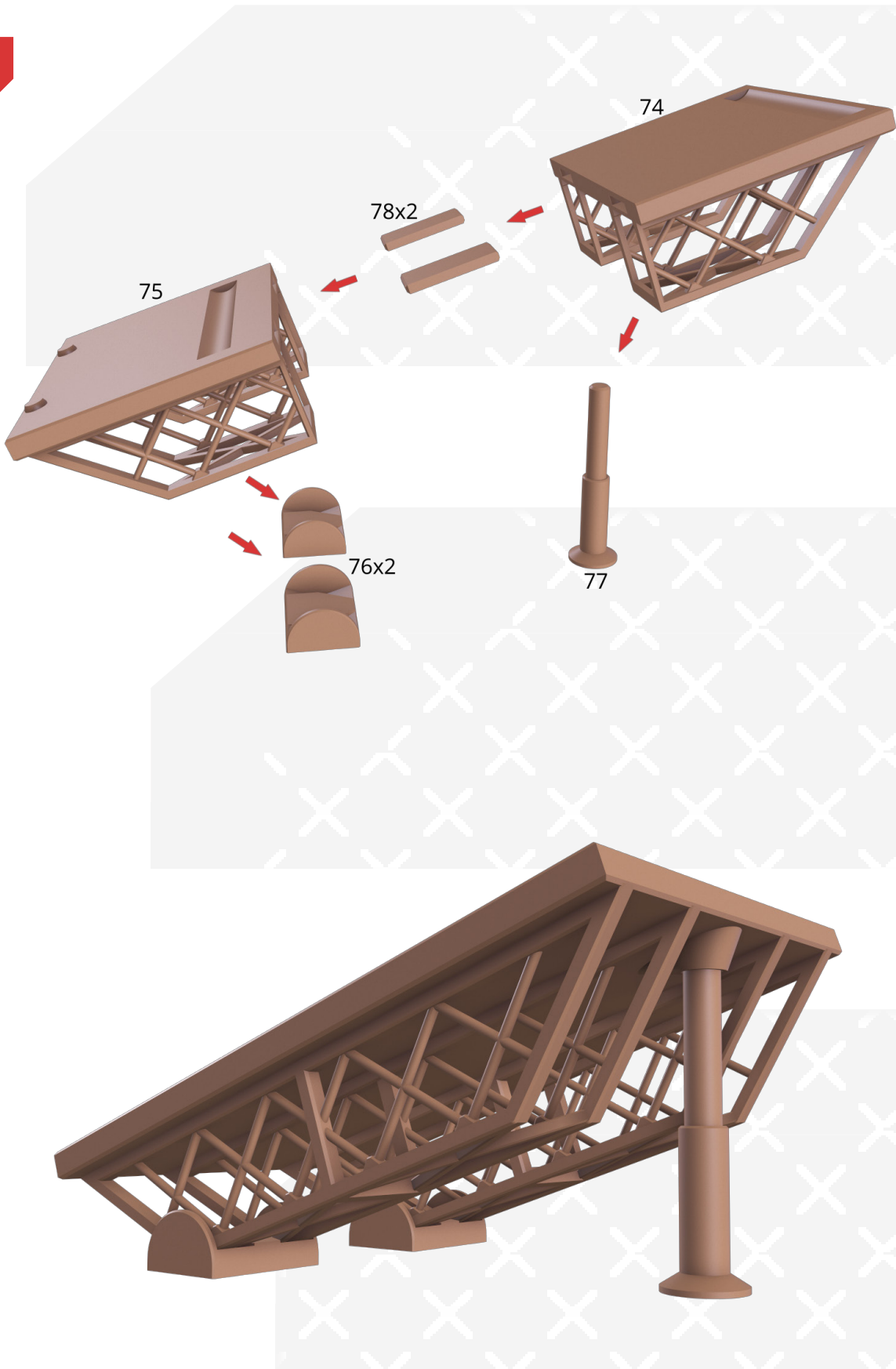
22



23



24



25



STL files of all 3D printing models come with **full technical support** from **Gam**body team for life. If you have any questions or if you want to have any changes introduced, please, write to us at support@gambody.com.

Thank you for choosing
Gambody!

