



Gambody
MAKE GAME REAL

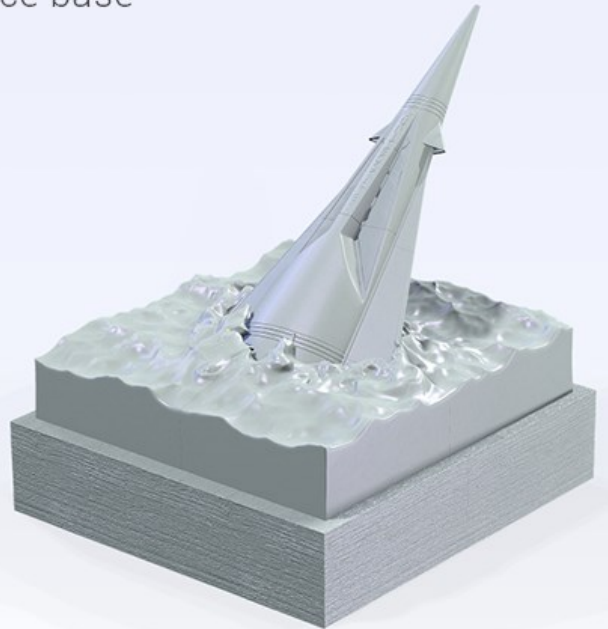
ICARUS

3D Printing Model

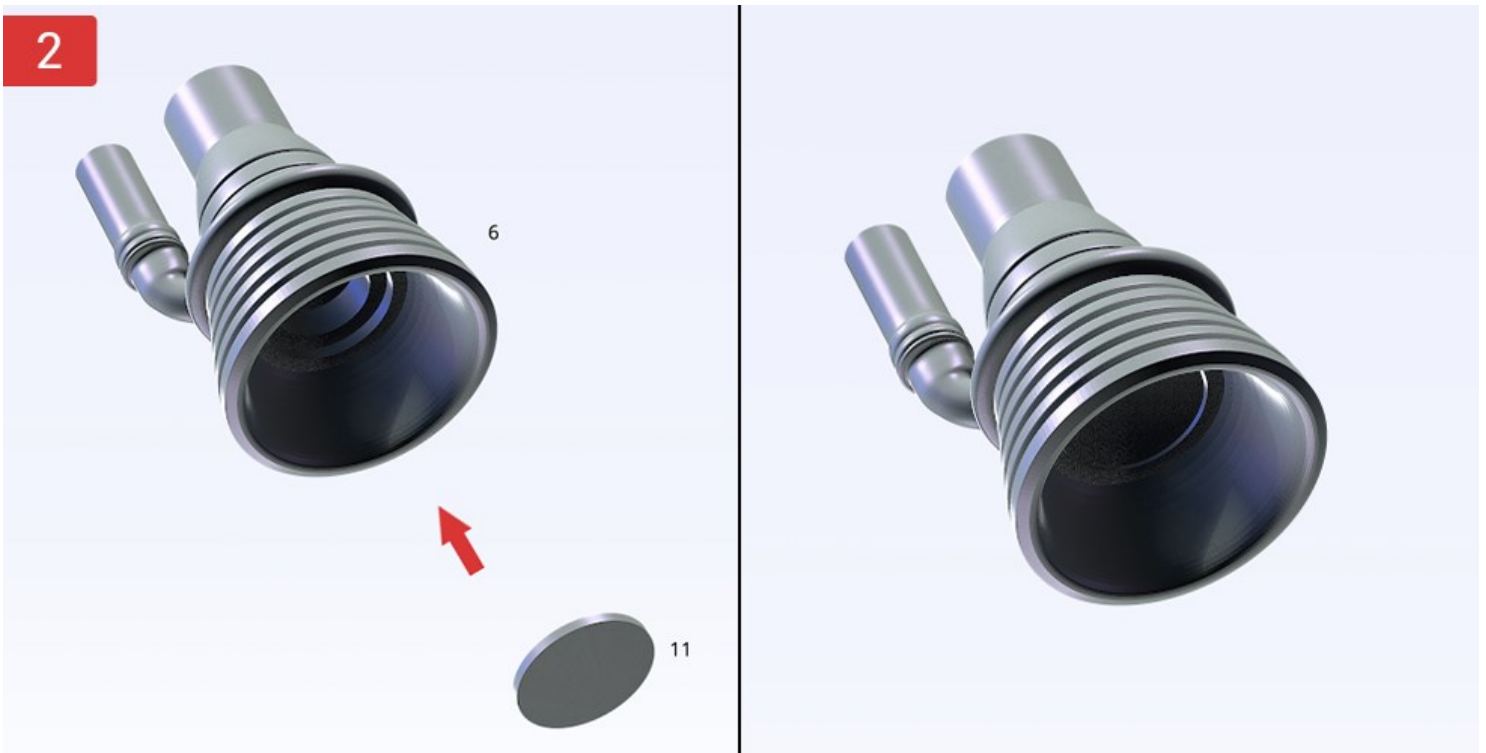
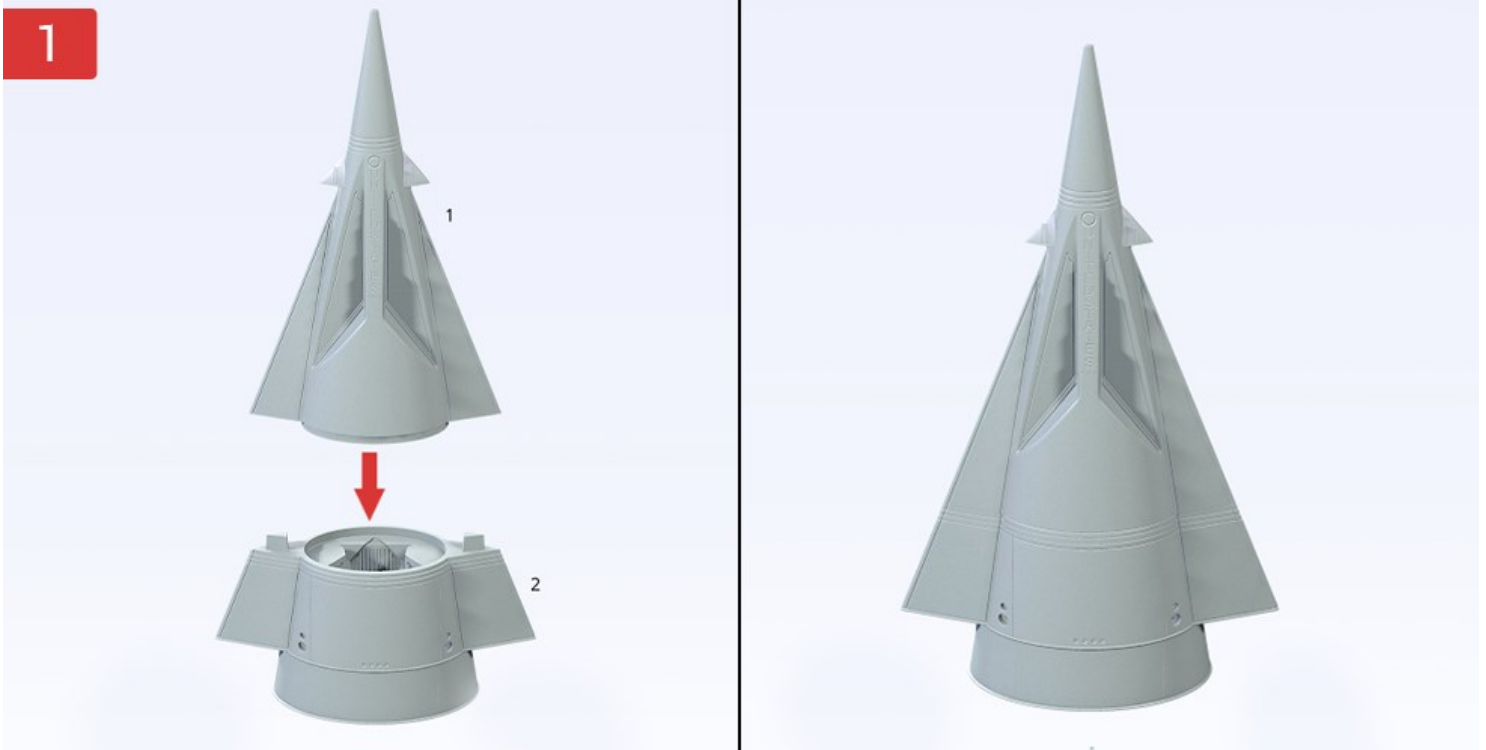
Assembly Manual

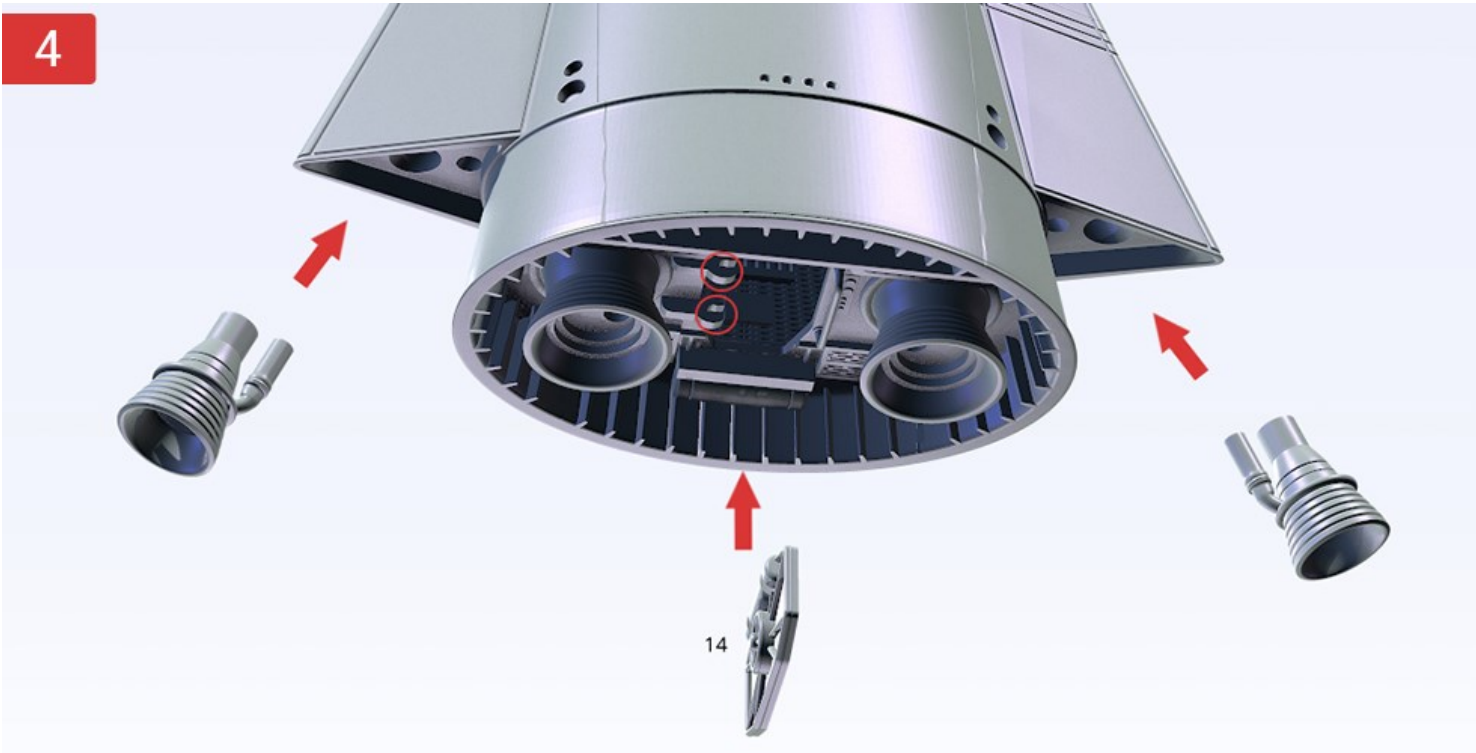
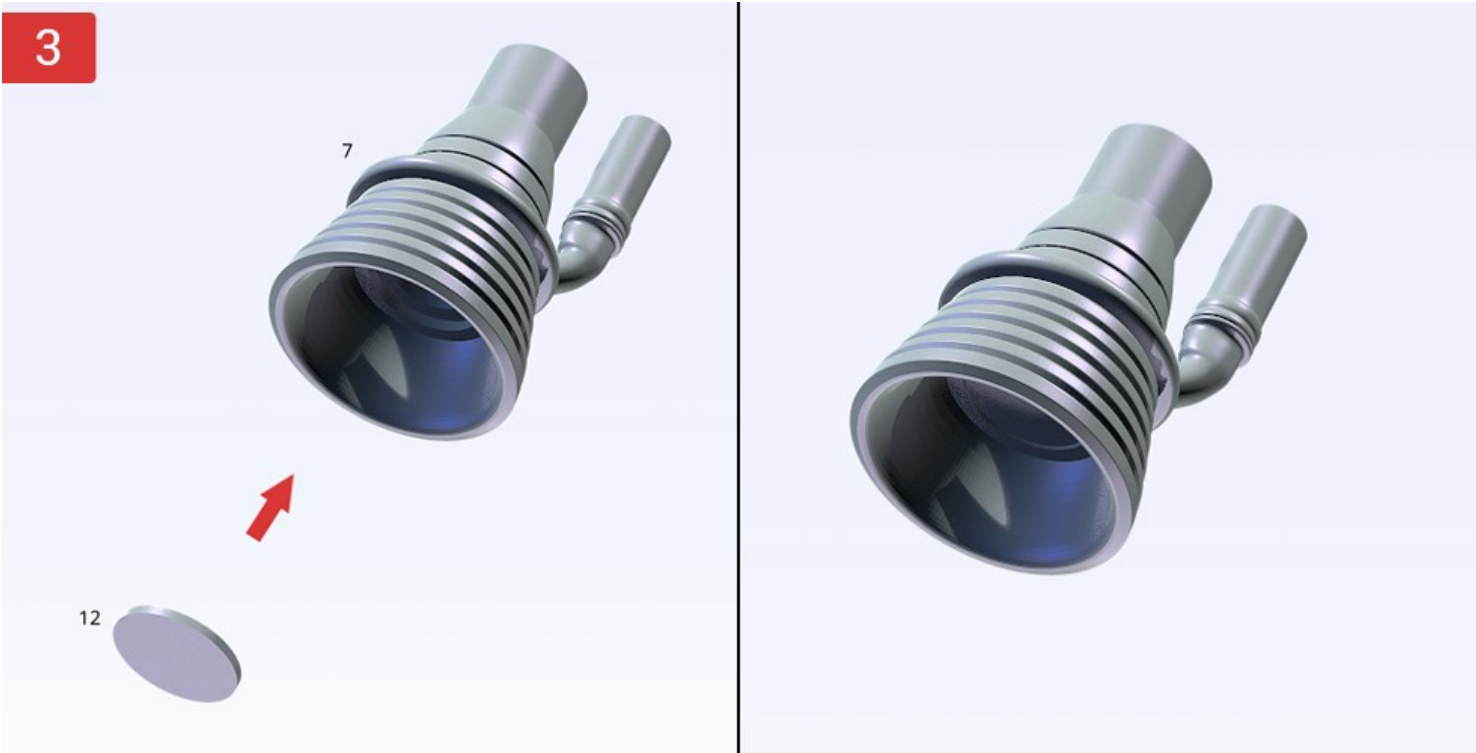
FOR **DLP/SLA**

Icarus can be mounted on a landing platform or
on a water surface base

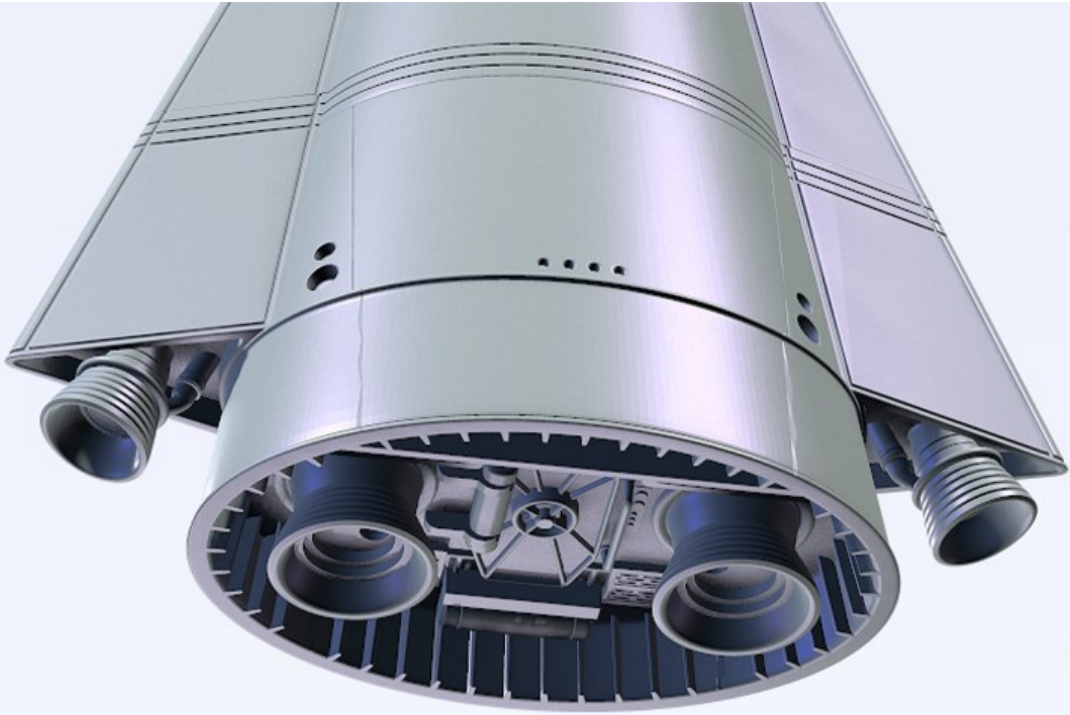


Icarus

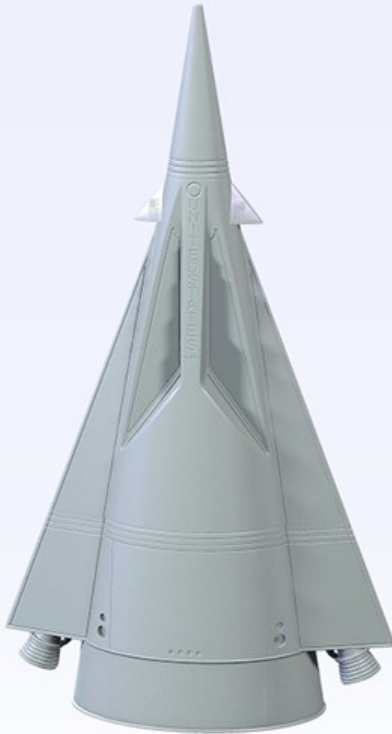




5

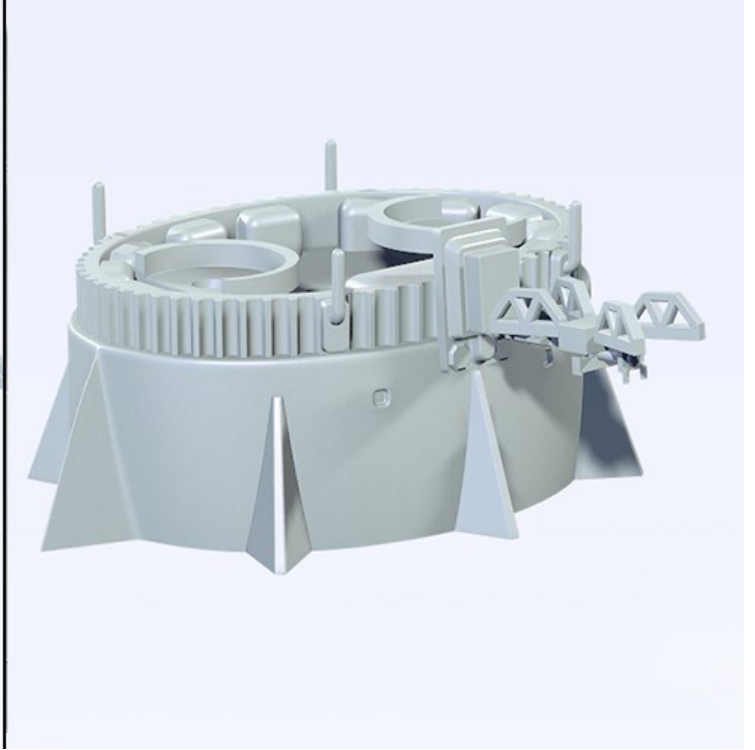
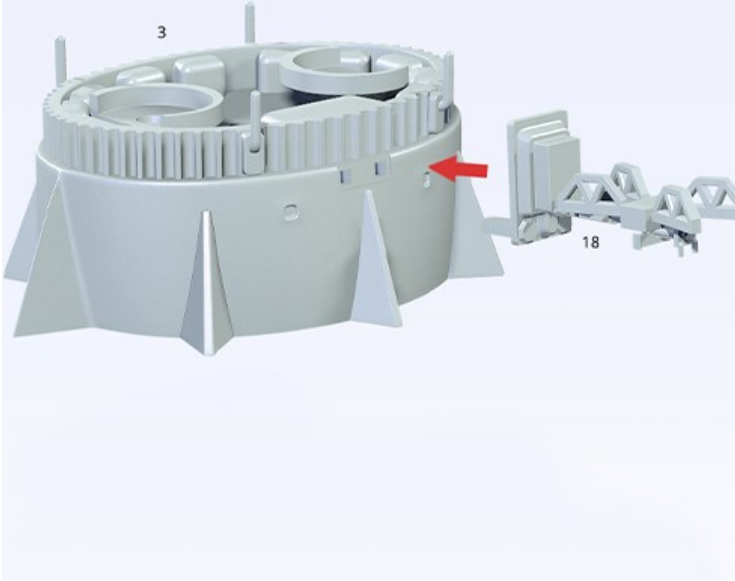


6

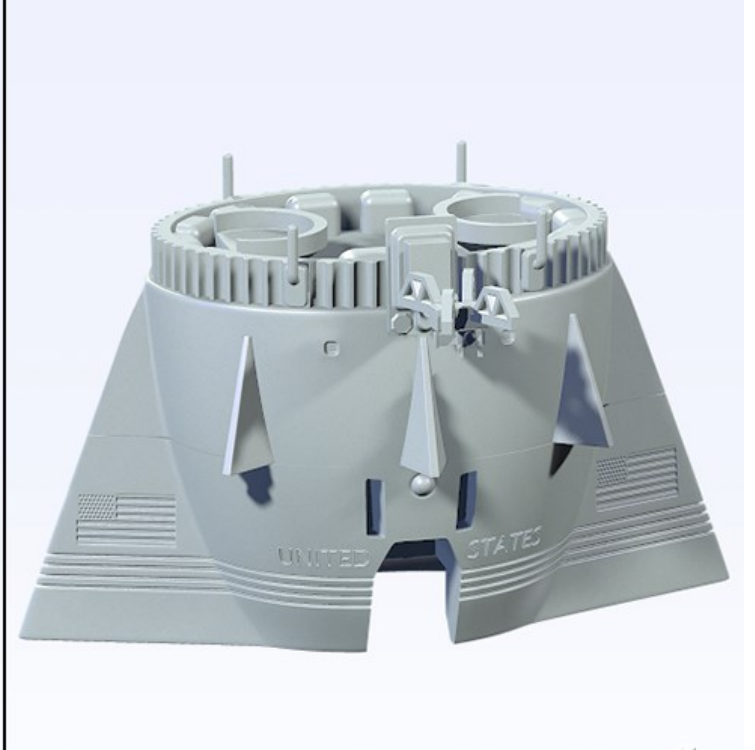
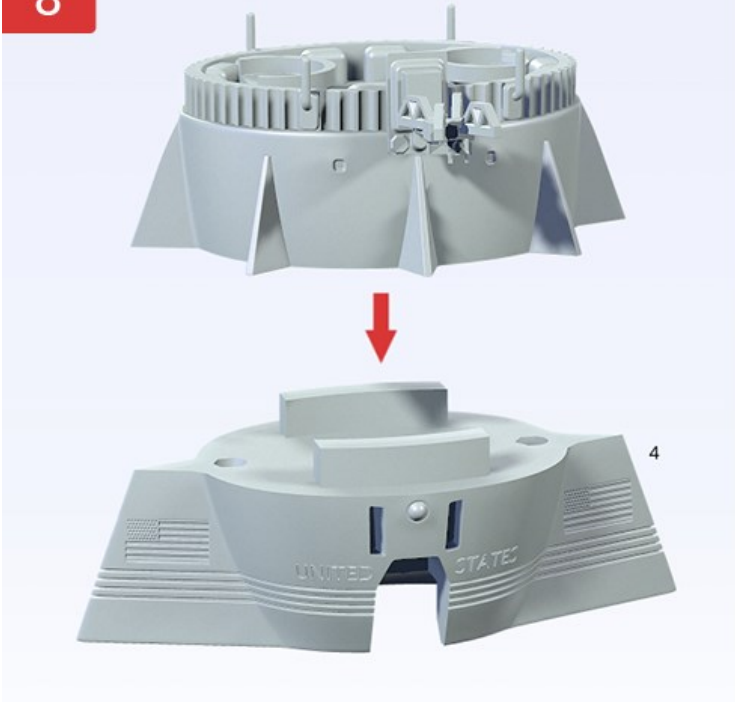


Landing Platform

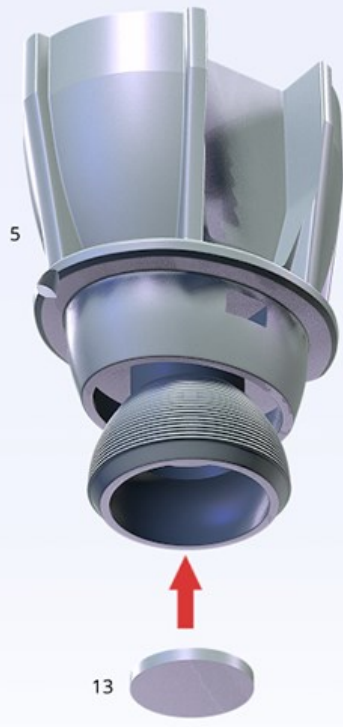
7



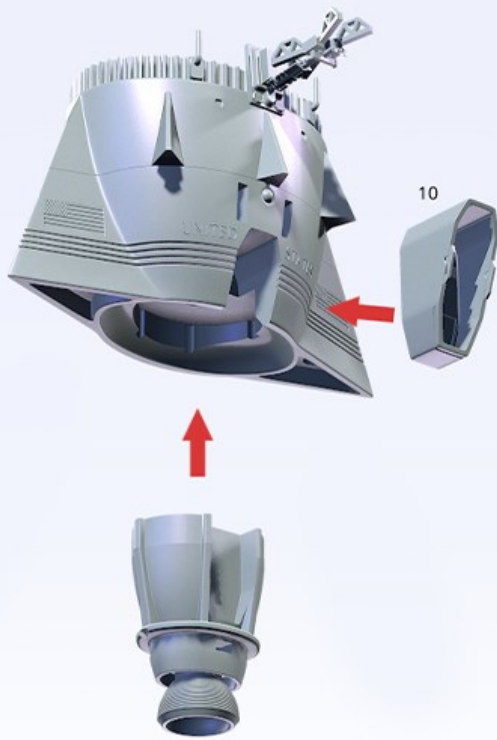
8

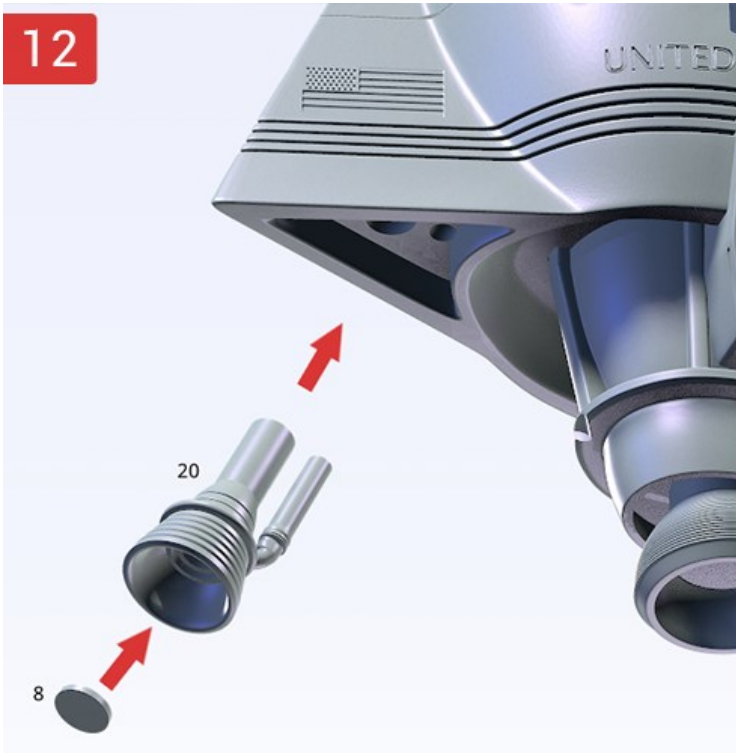
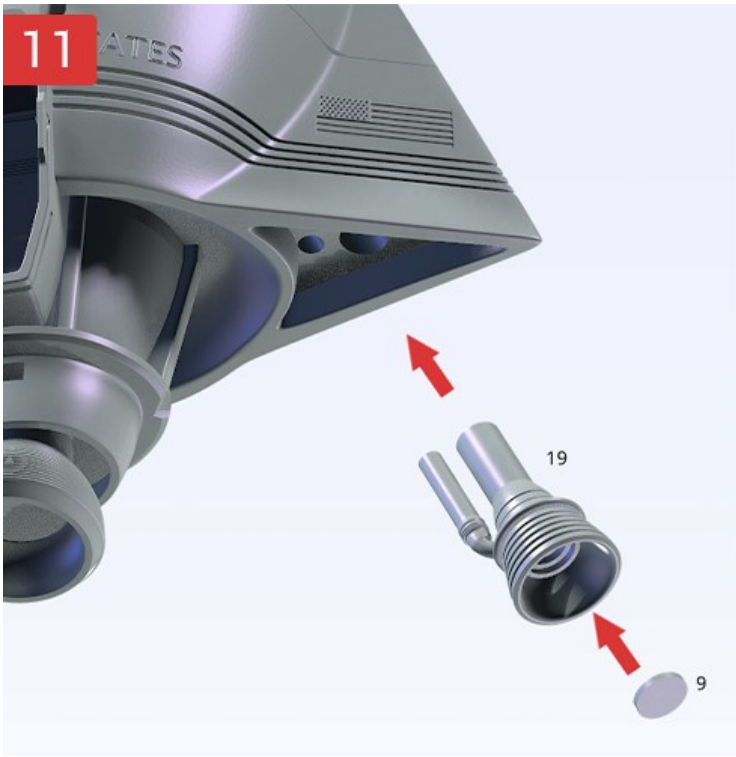


9



10

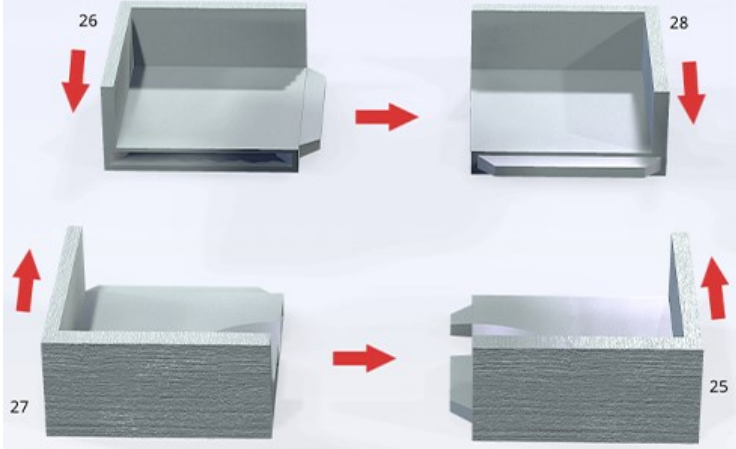




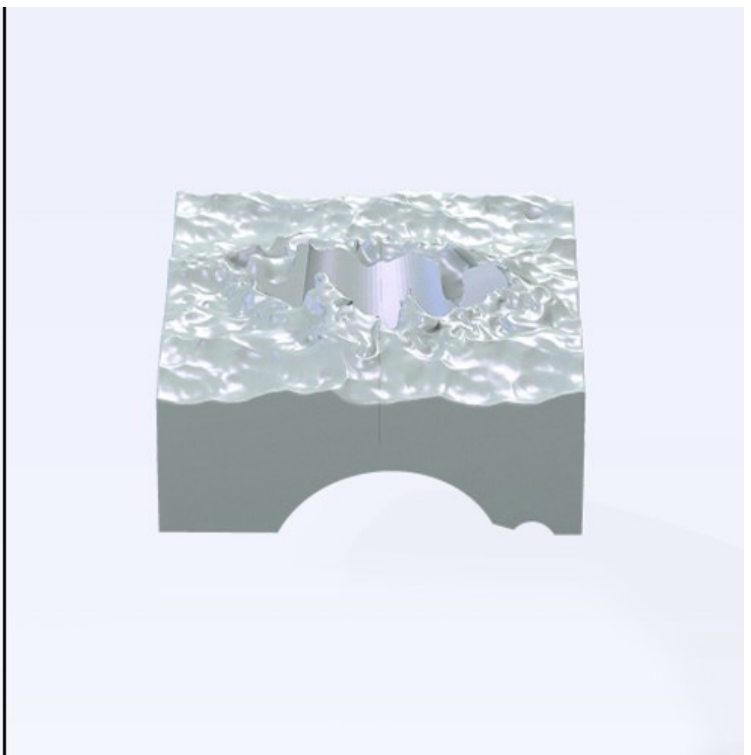
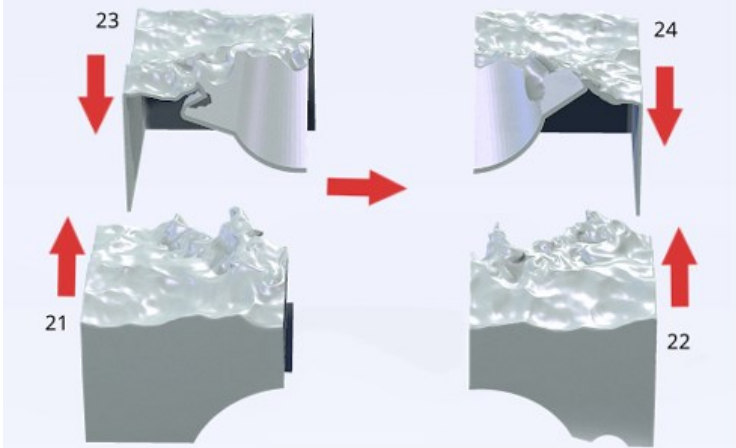


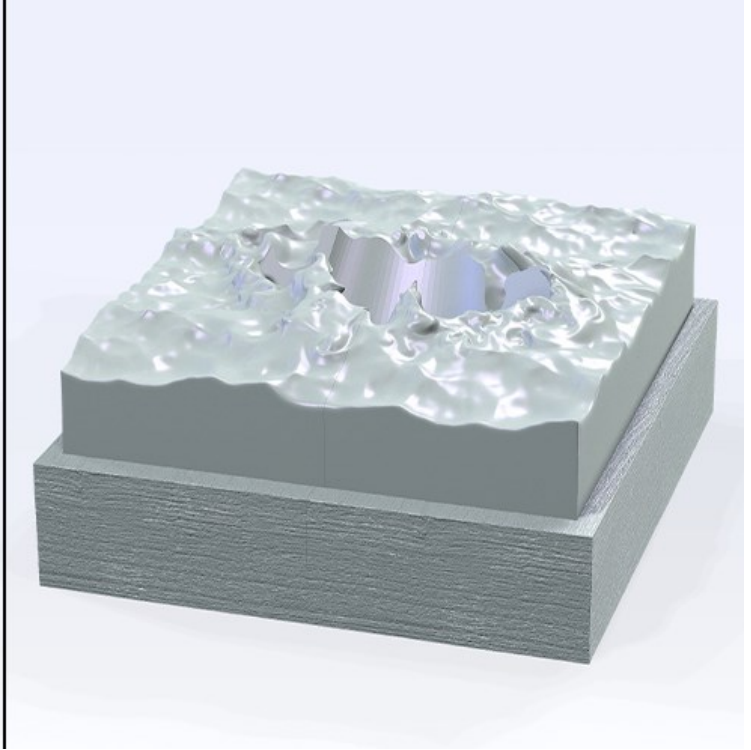
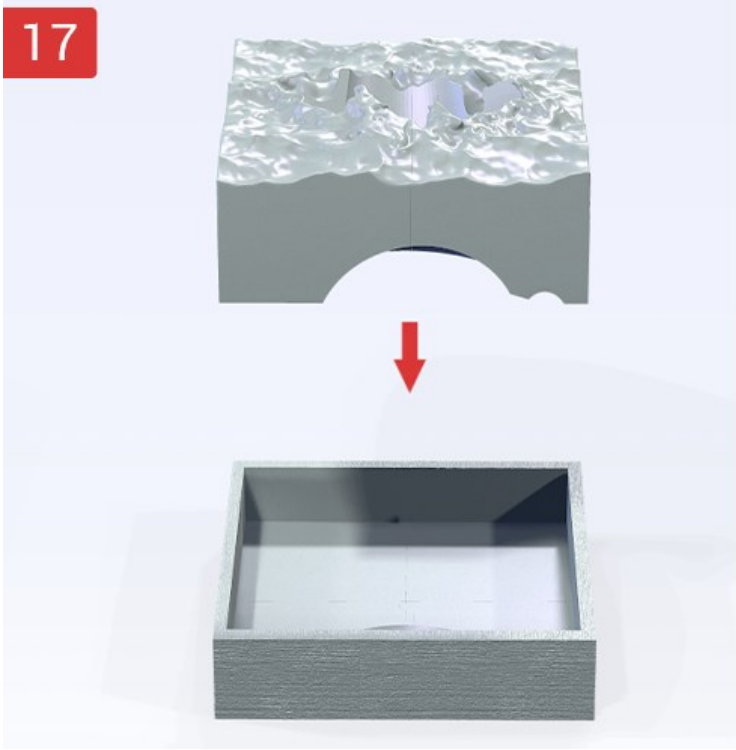
Water Surface Platform

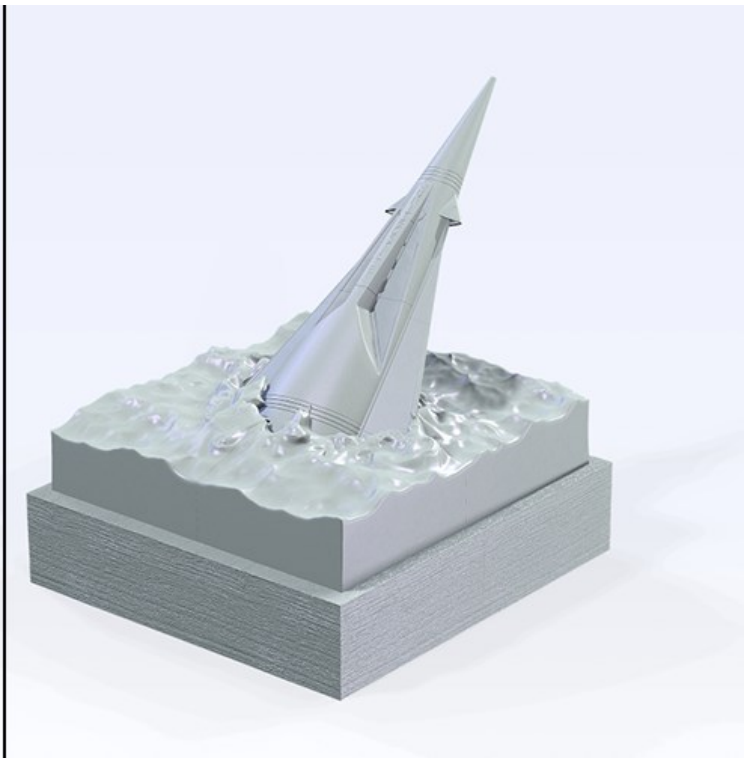
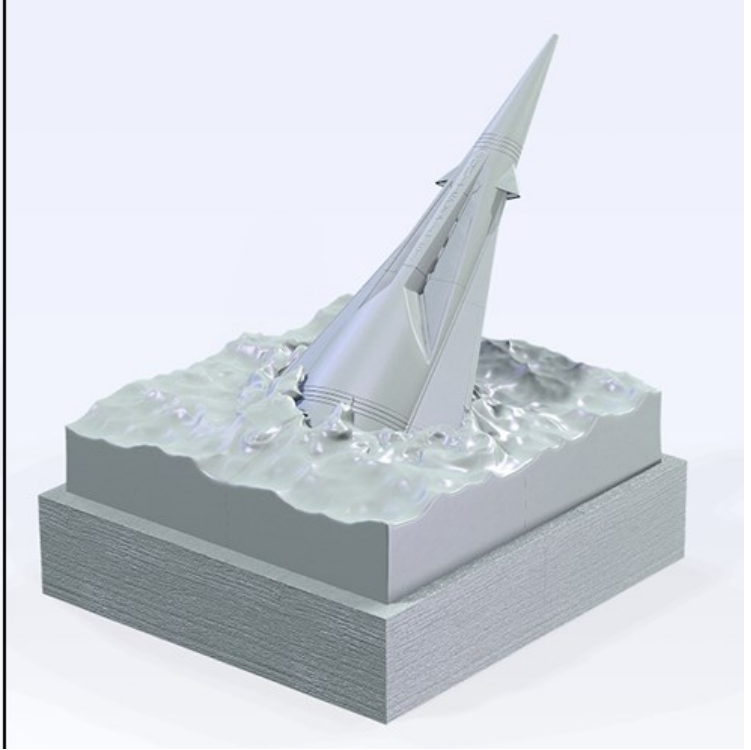
15



16







STL files of all 3D printing models come with **life-time full technical support** from Gambody team. If you want to have the model cut otherwise after the purchase, please, request changes at support@gambody.com.

Thank you for choosing **Gambody!**