



Gambody
MAKE GAME REAL

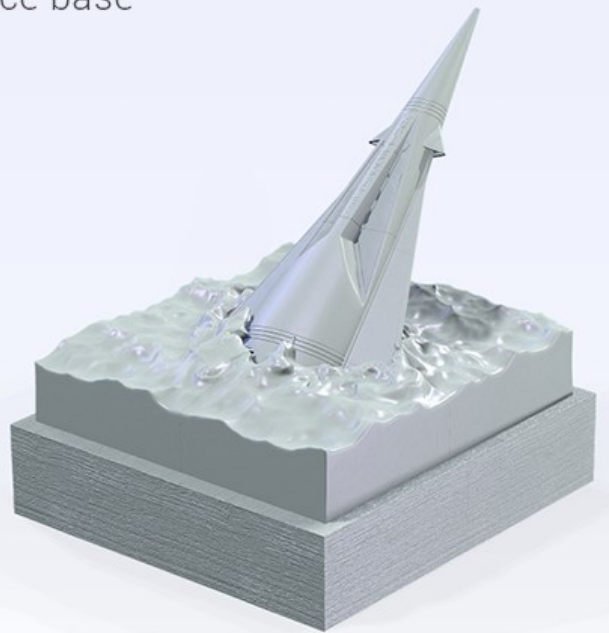
ICARUS

3D Printing Model

Assembly Manual

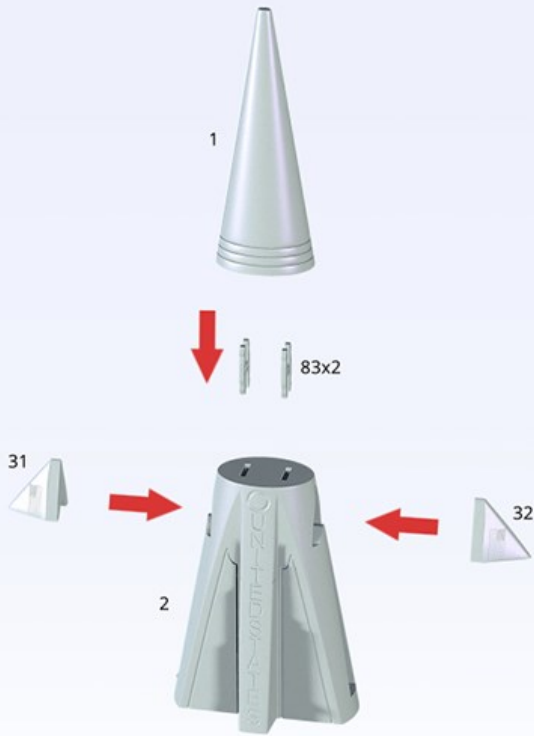
FOR **FFF/FDM**

Icarus can be mounted on a landing platform or
on a water surface base

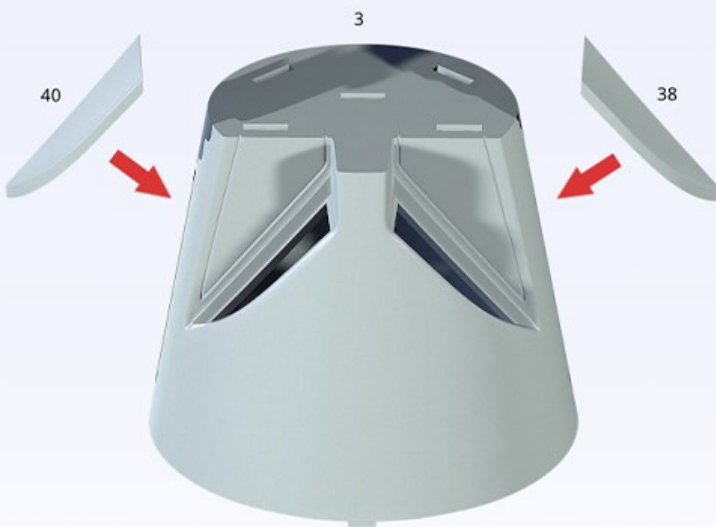


Icarus

1



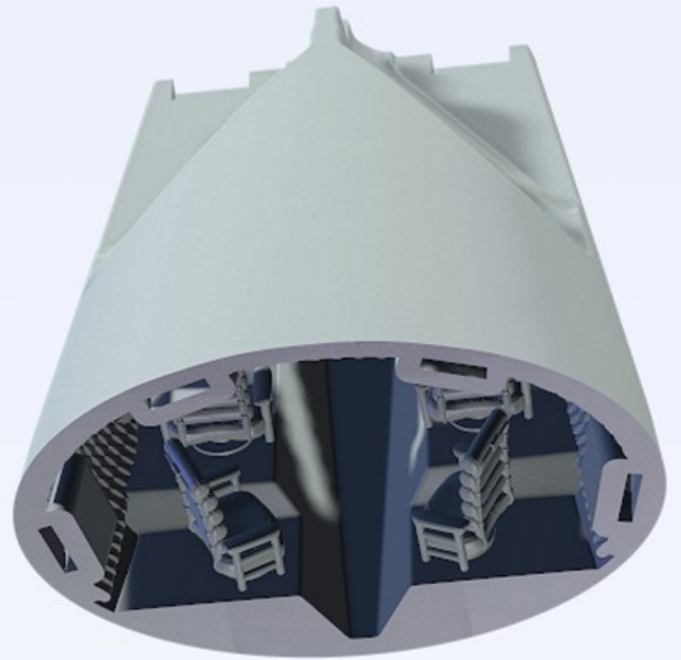
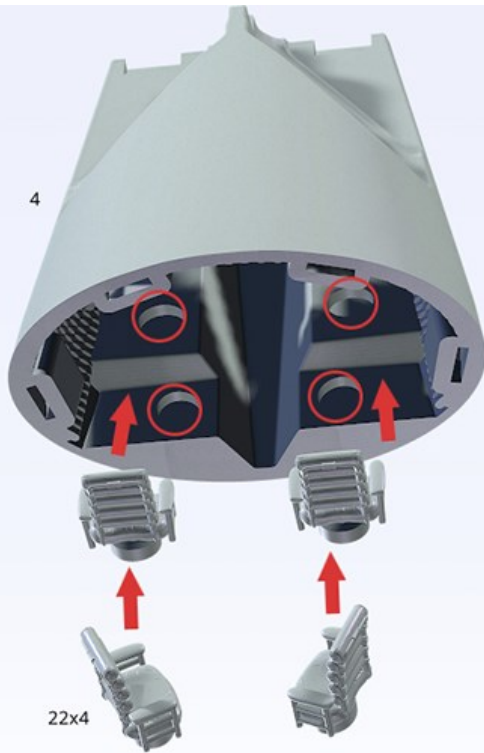
2



3



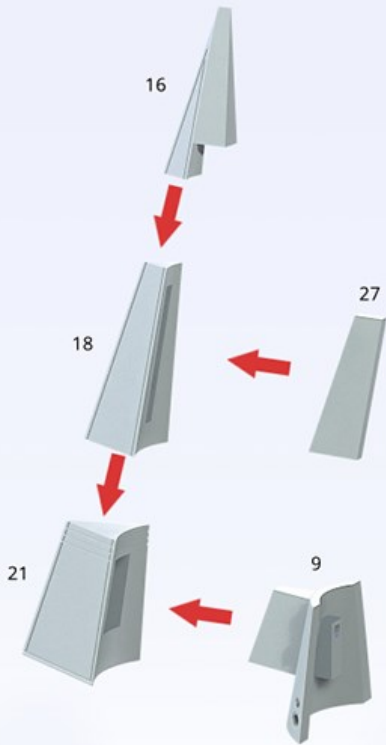
4



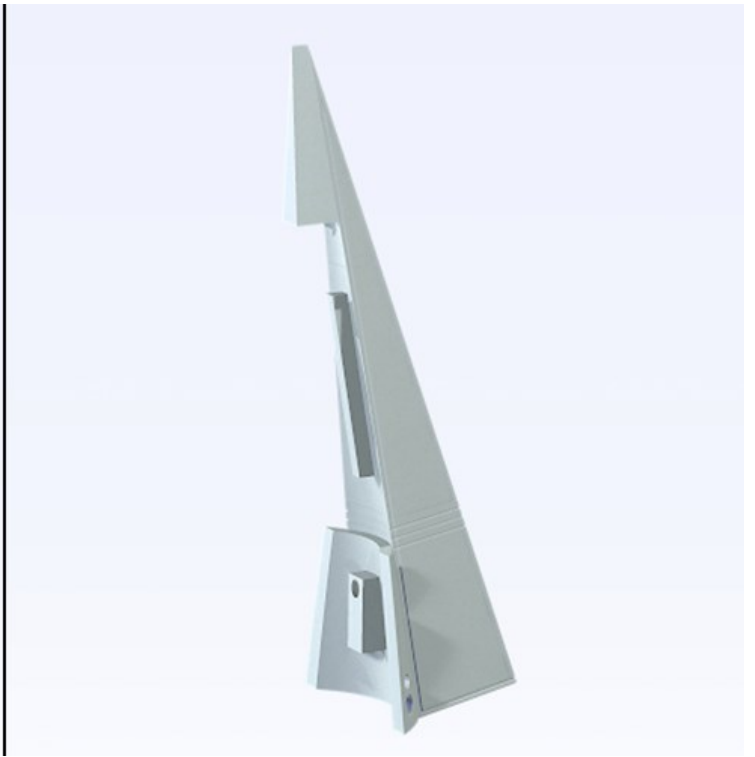
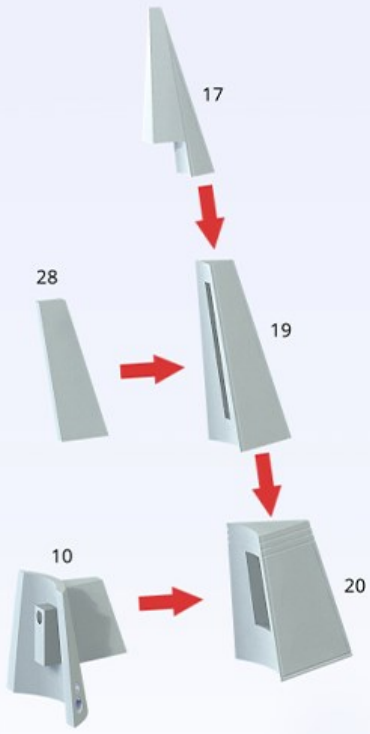
5



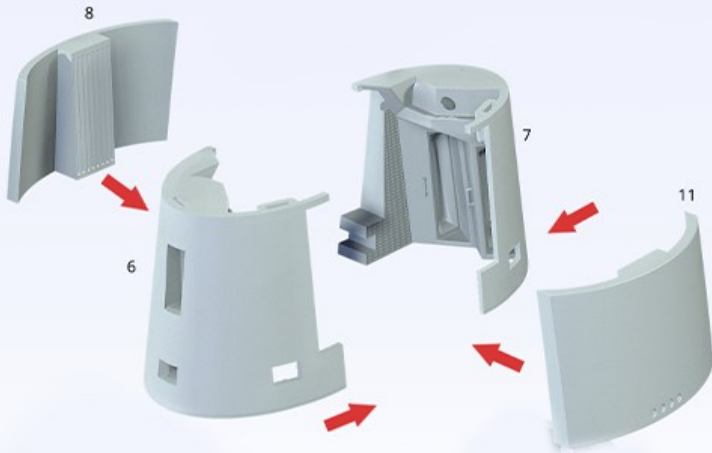
6



7

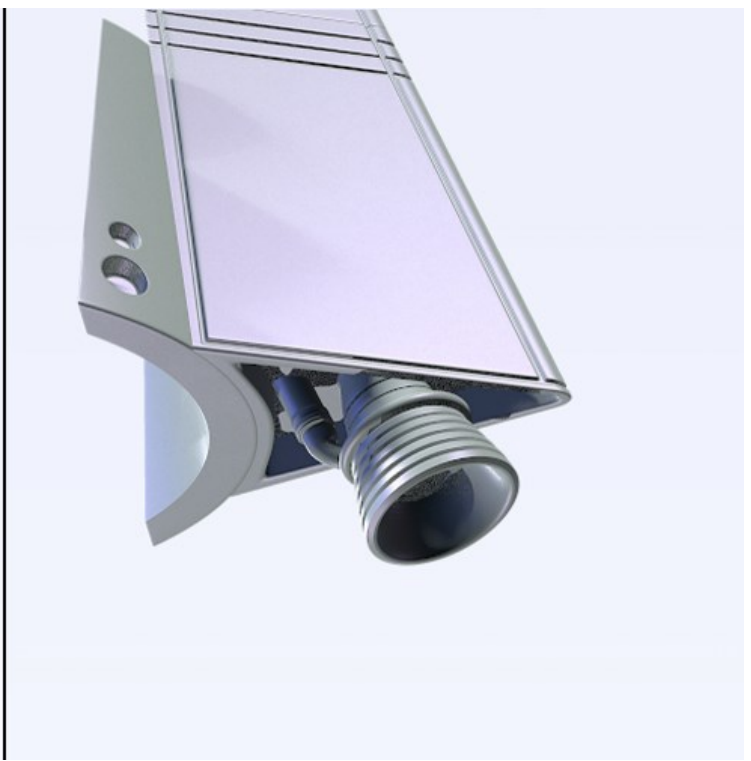
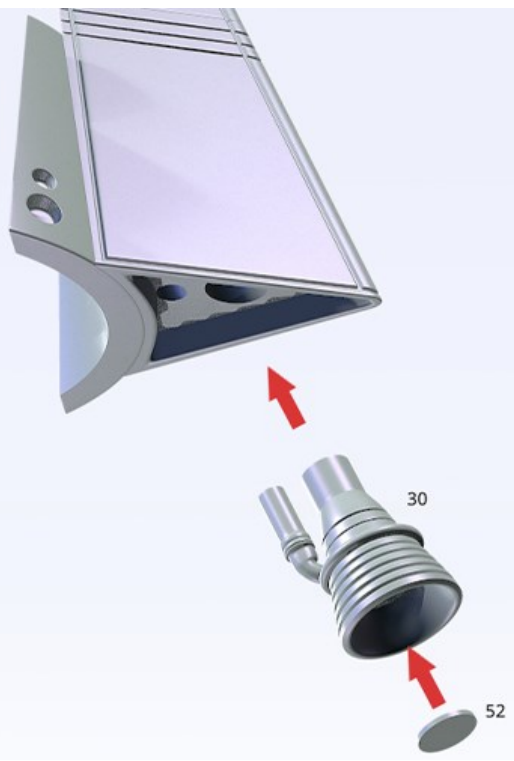


8

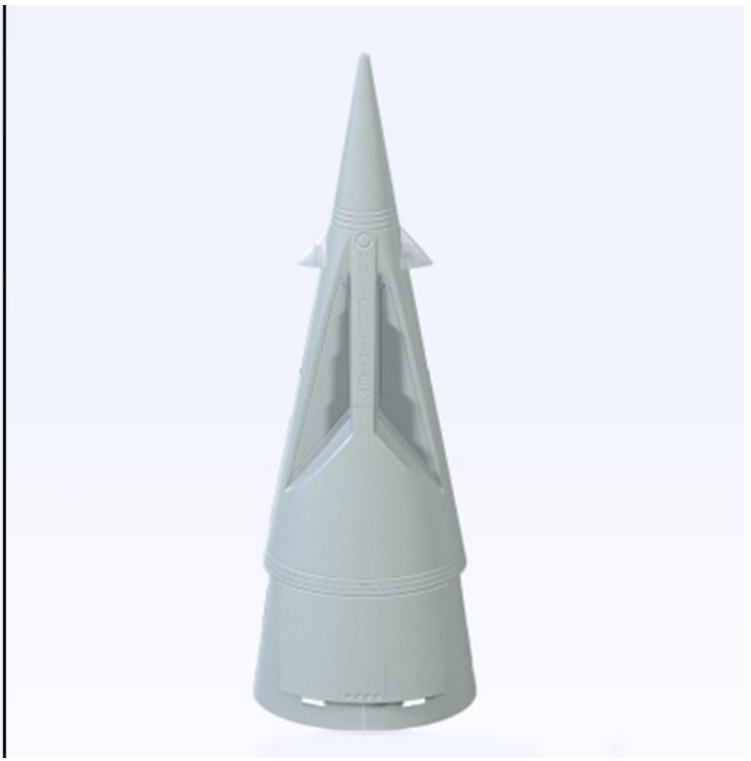


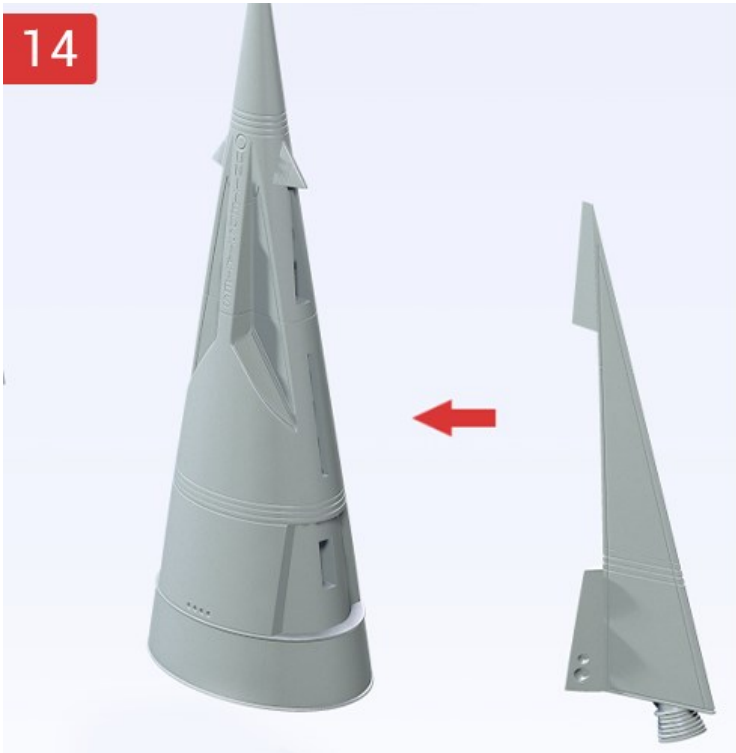


11

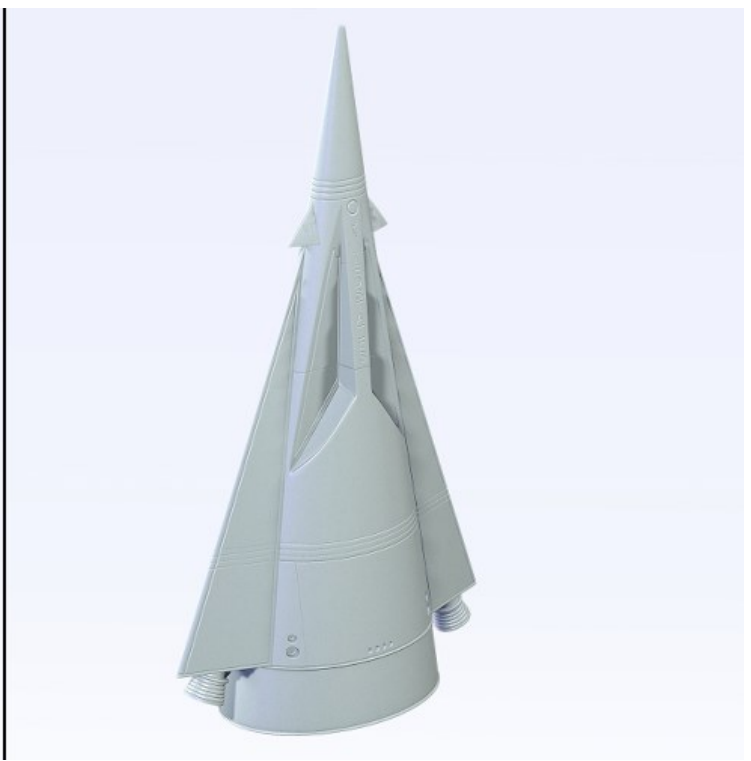
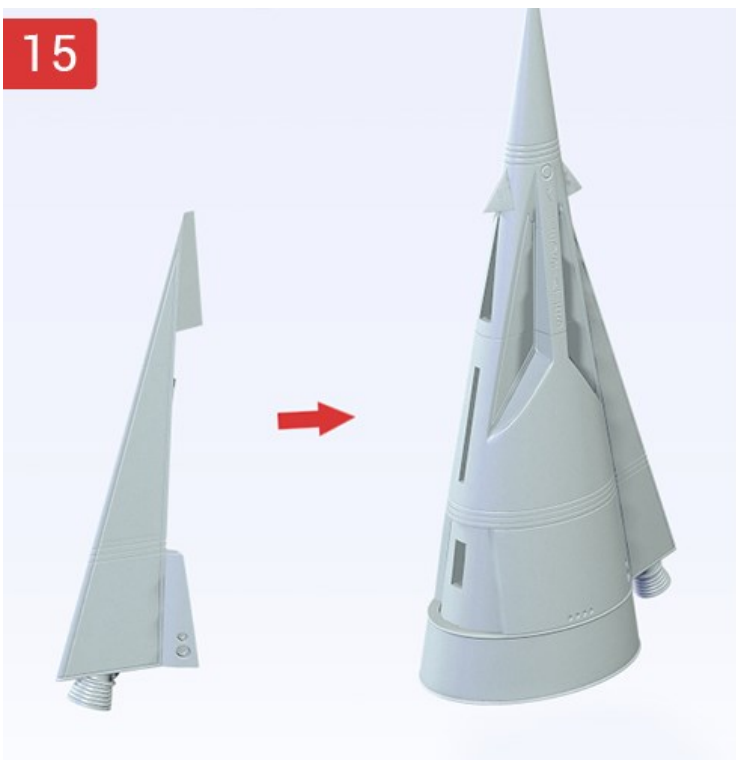


12

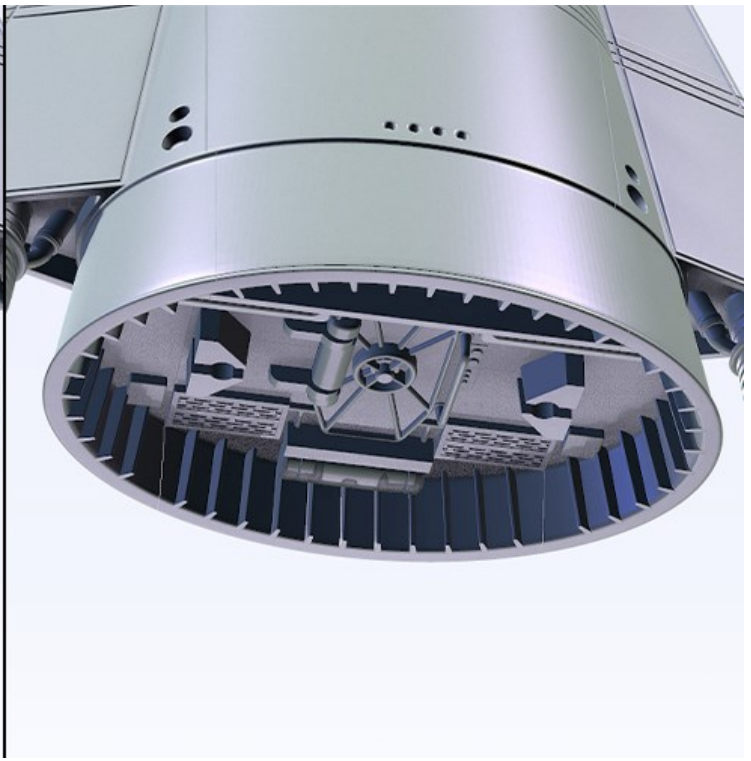
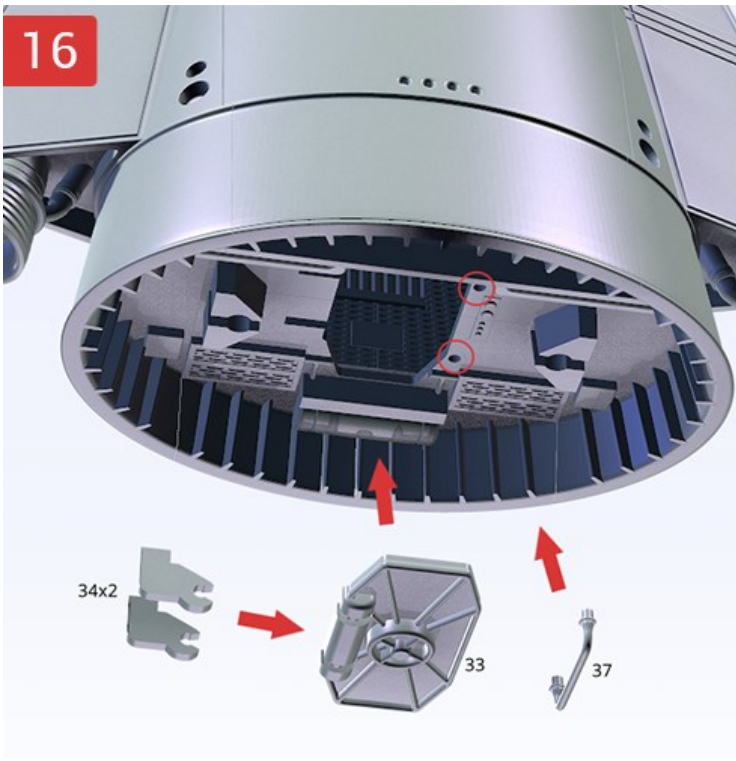


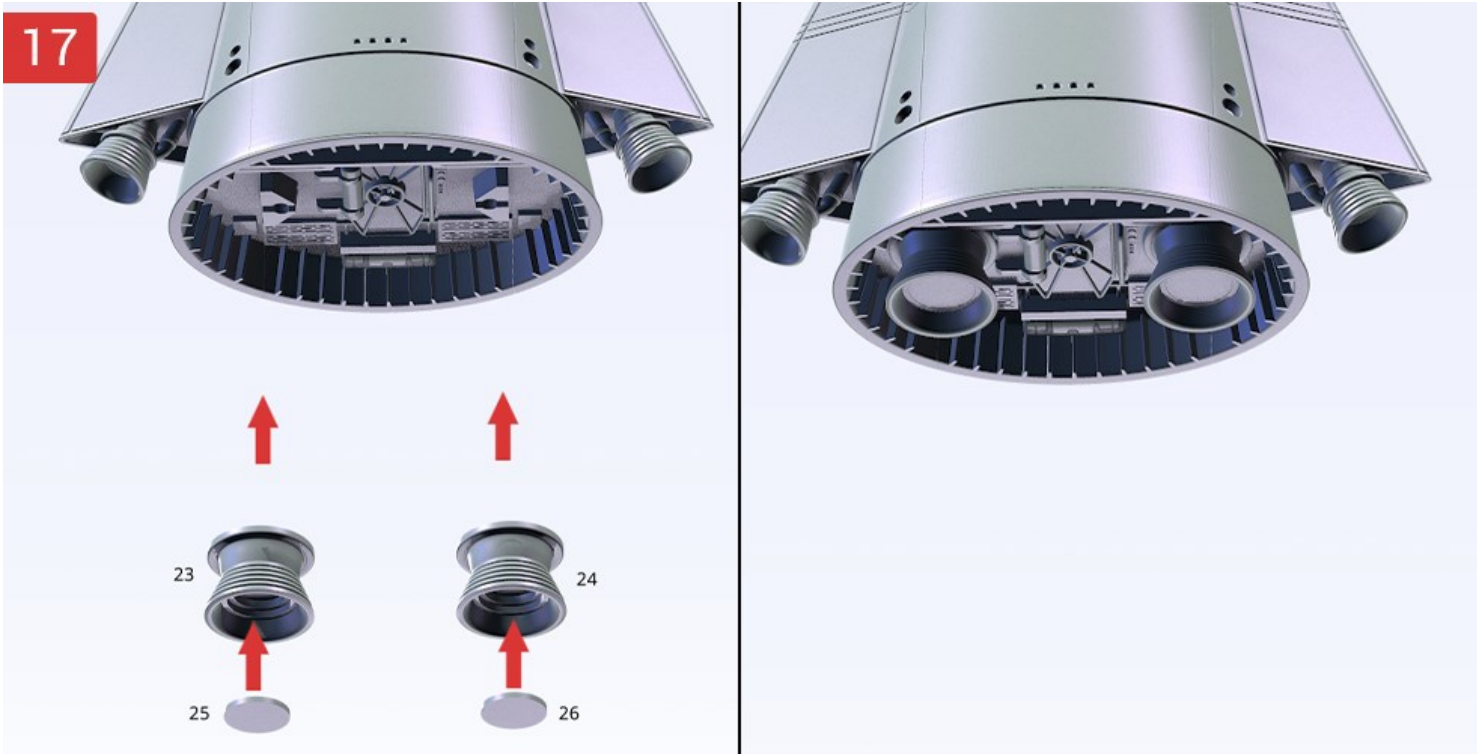


15



16



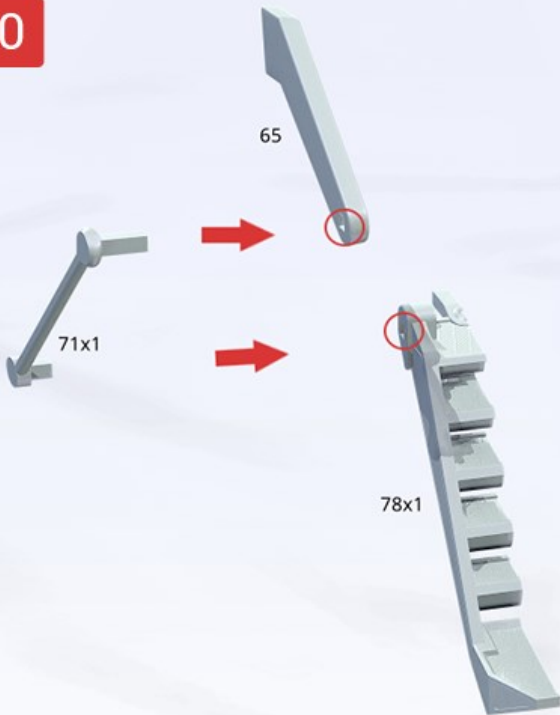


Landing Platform

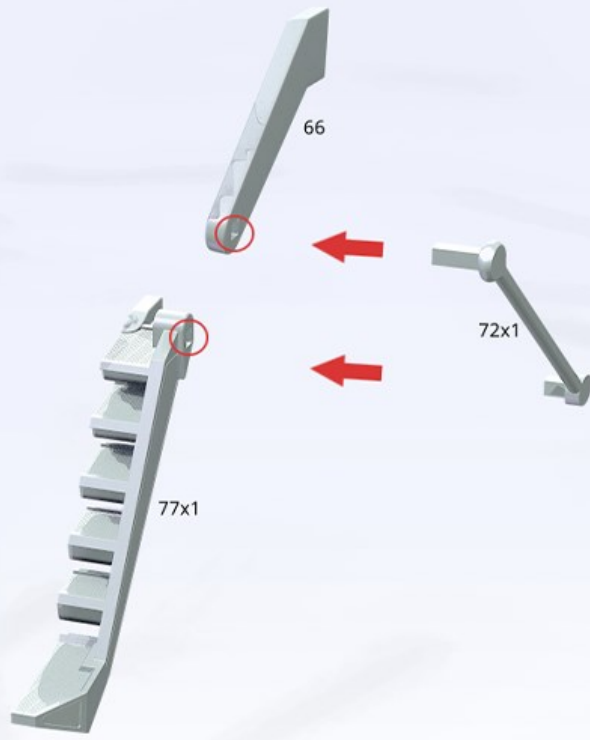
19



20



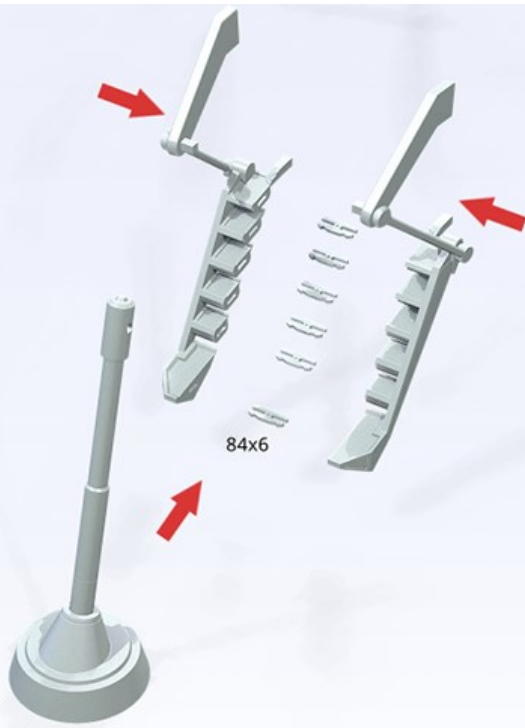
21



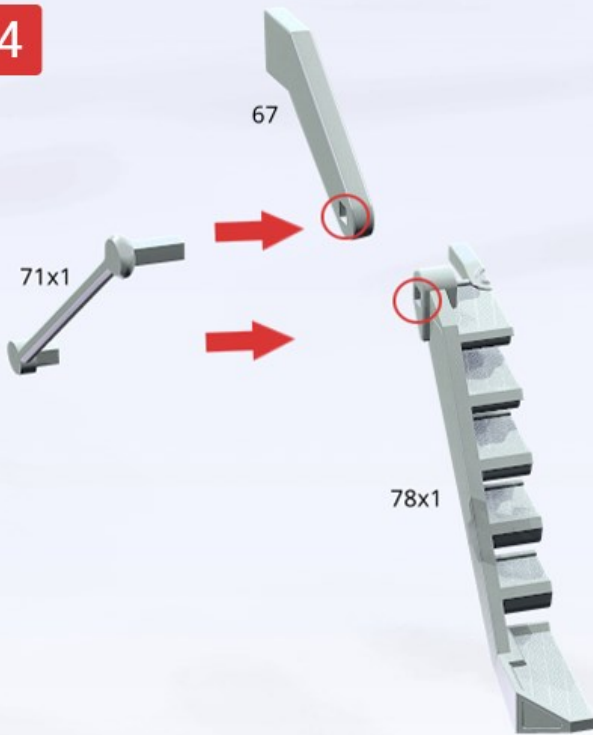
22



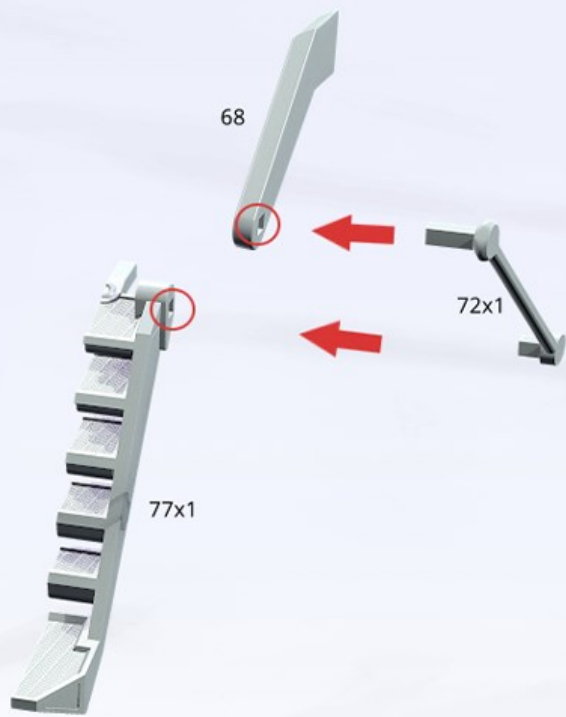
23



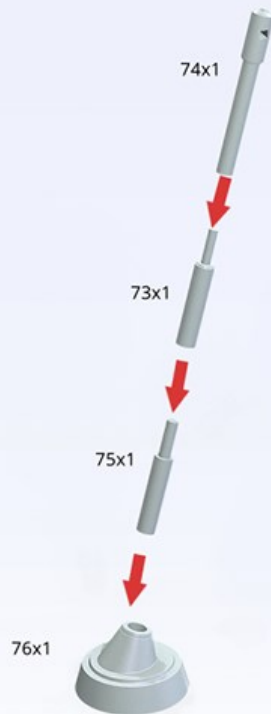
24



25



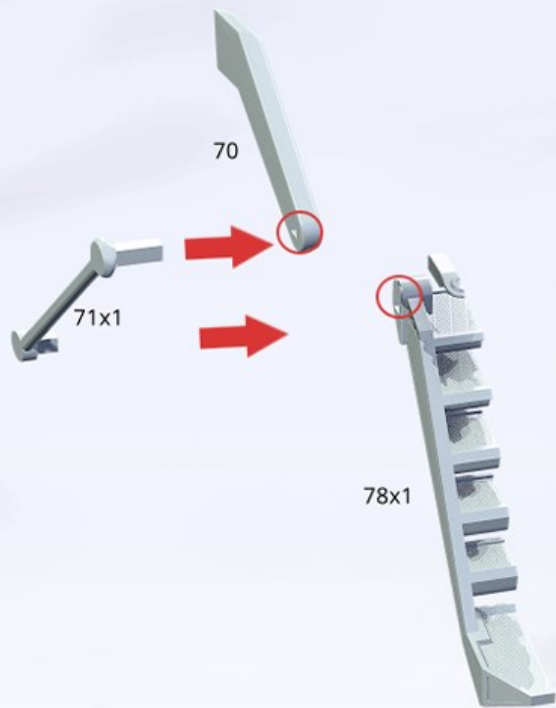
26



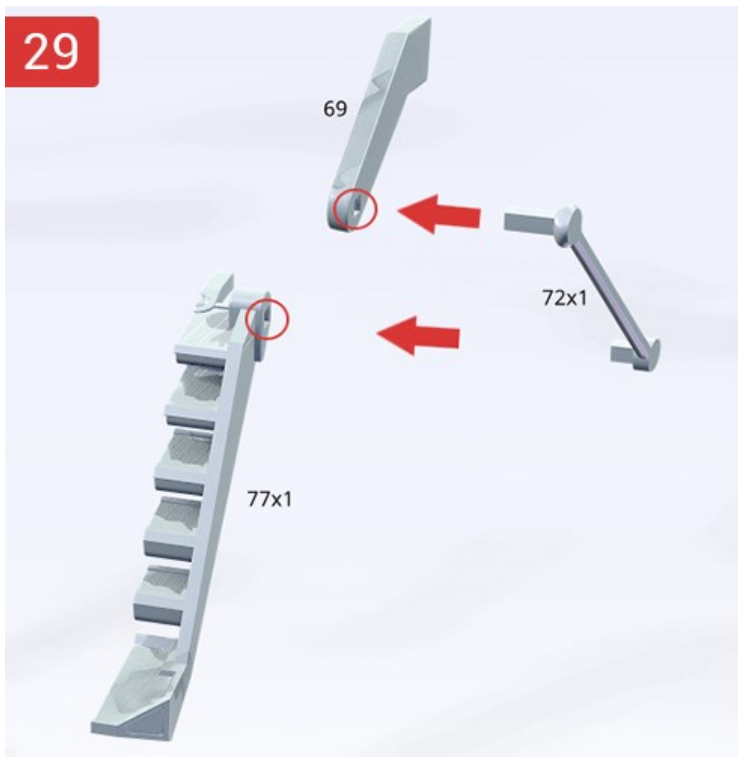
27



28



29



30



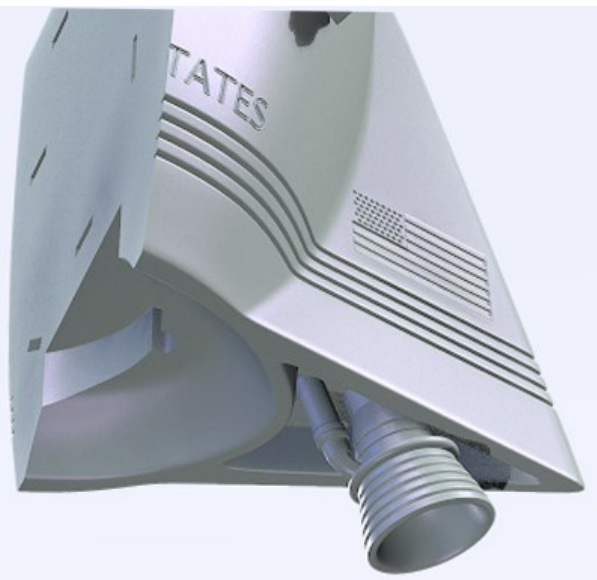
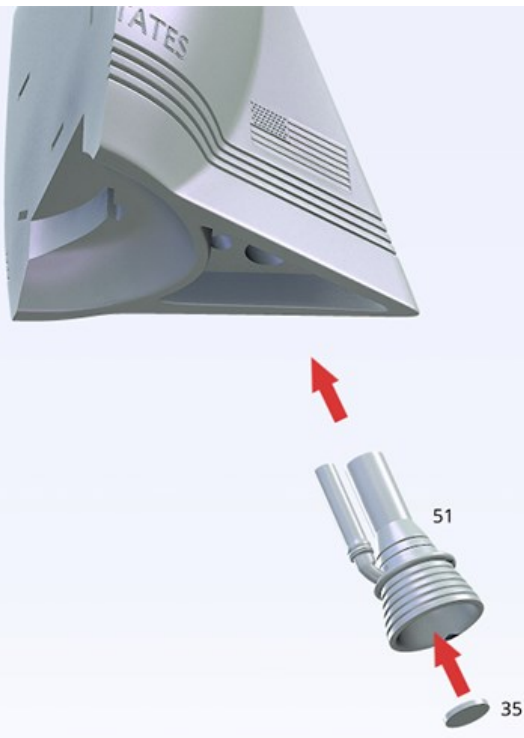
31



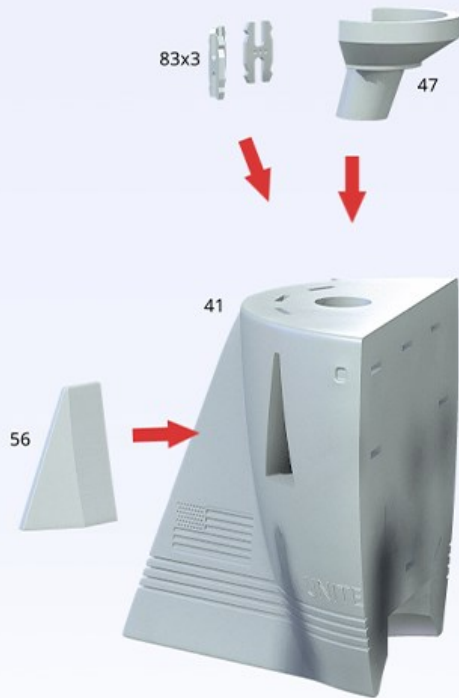
32



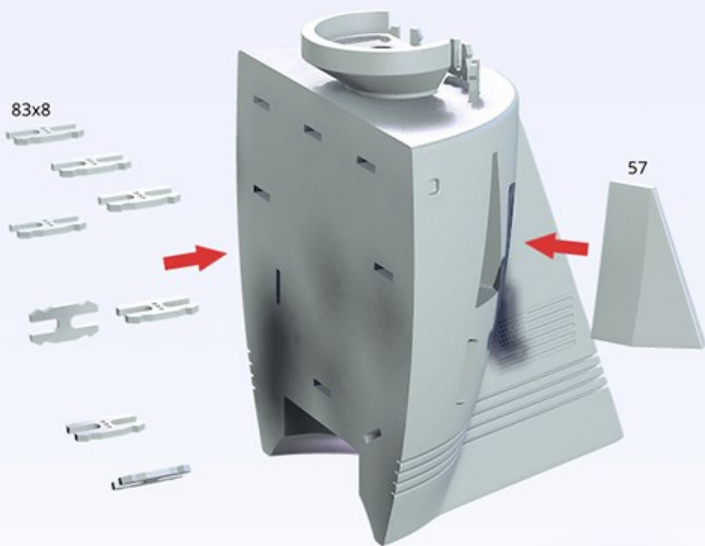
33



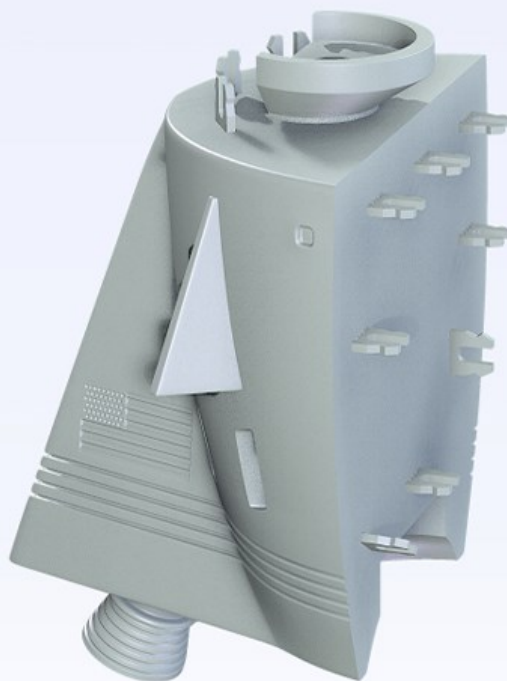
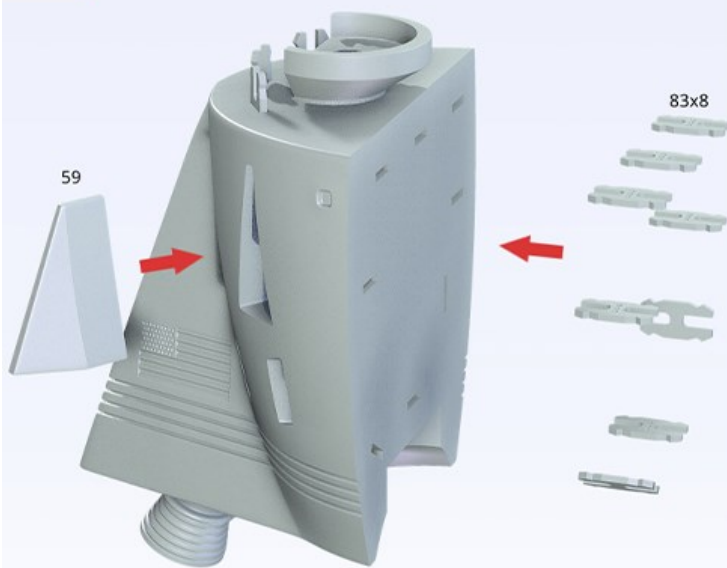
34



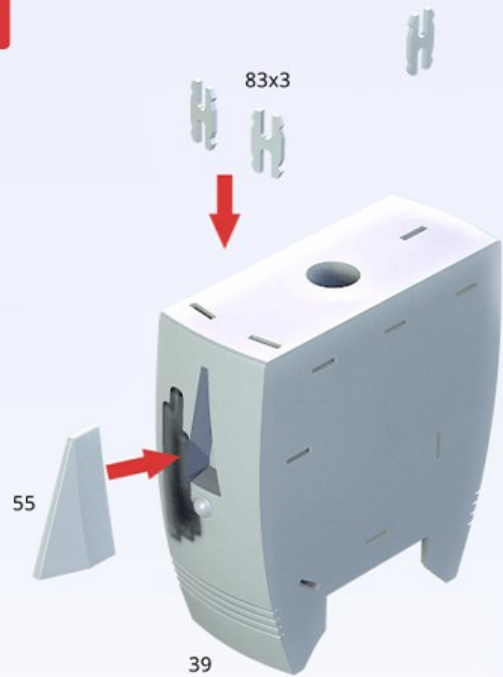
35



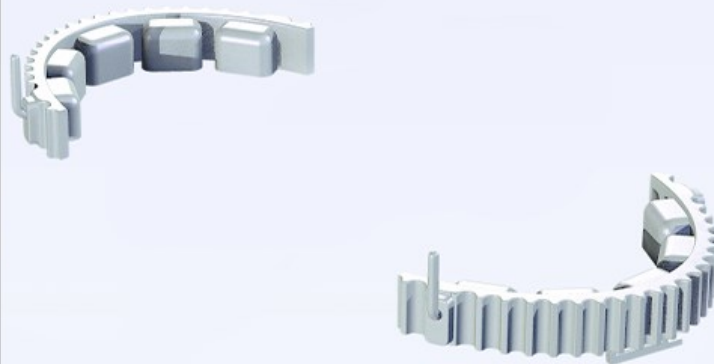
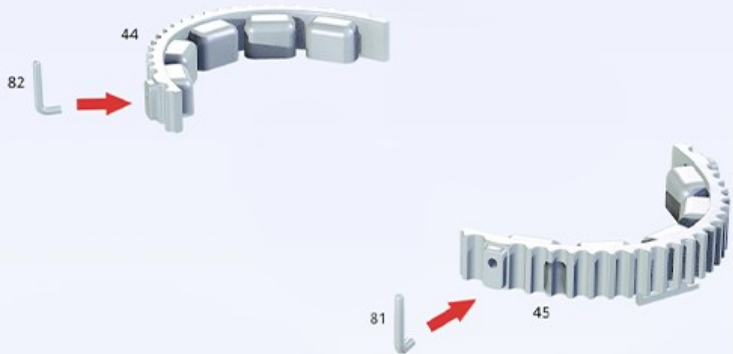
36



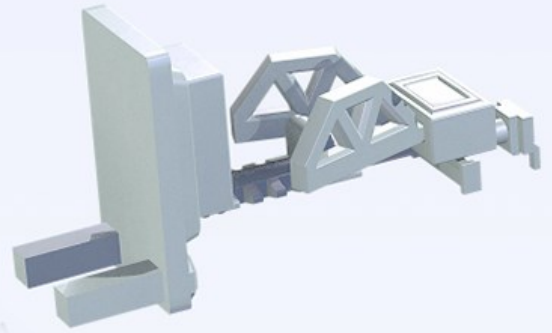
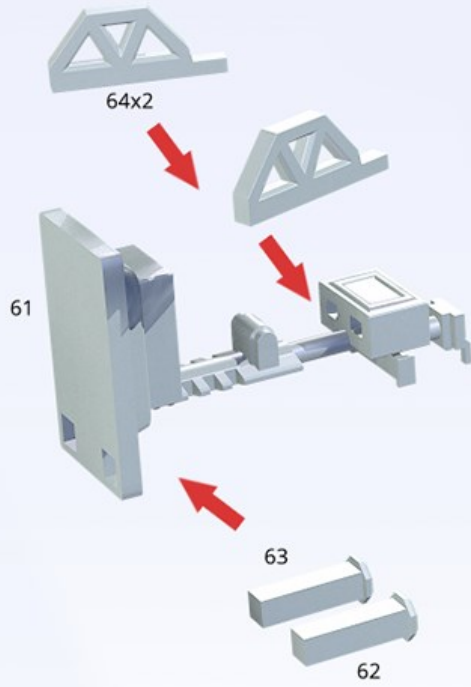
37



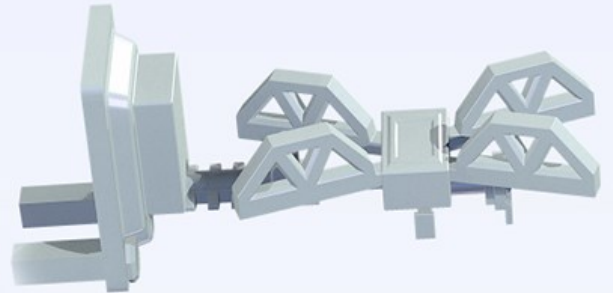
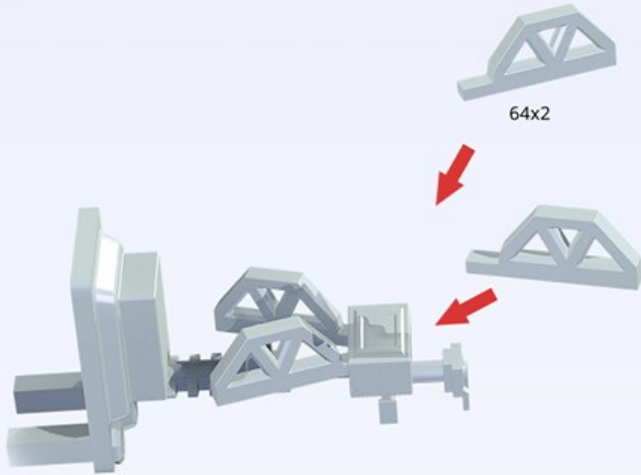
38



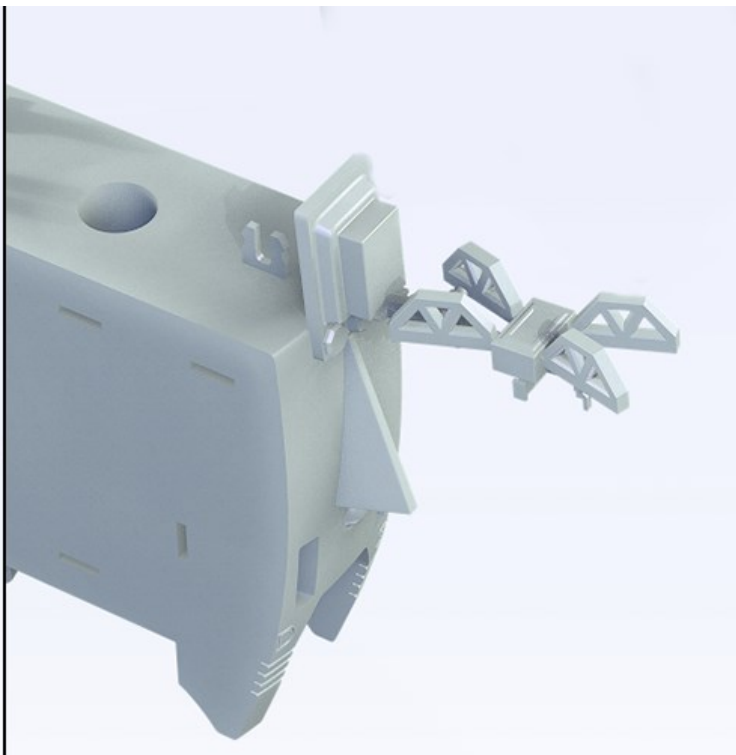
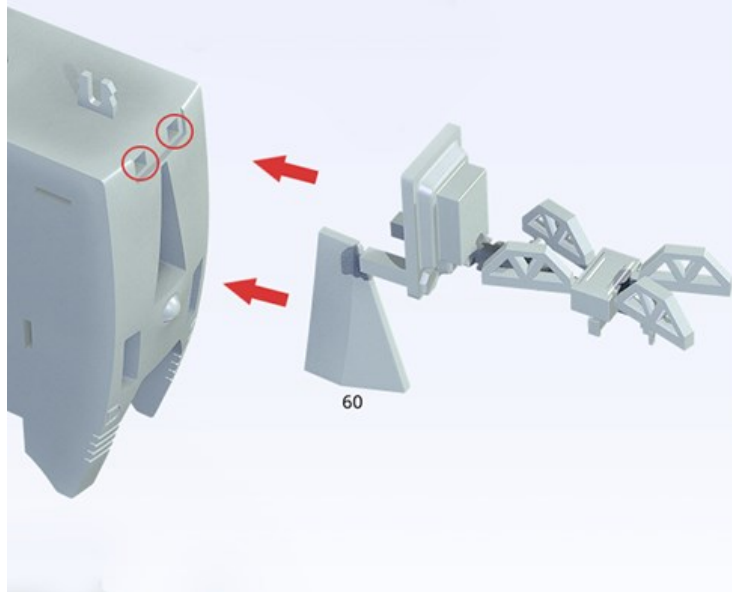
39



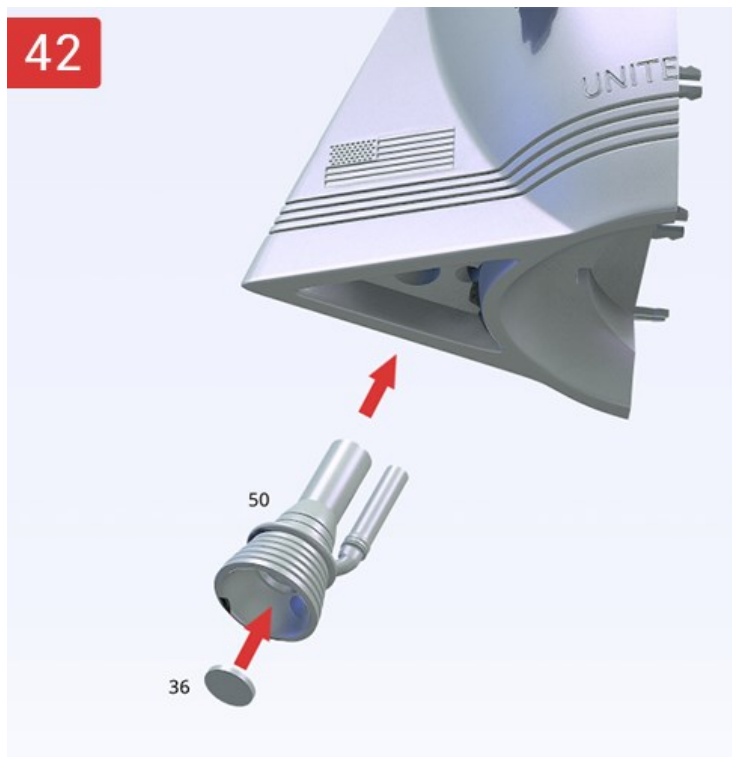
40



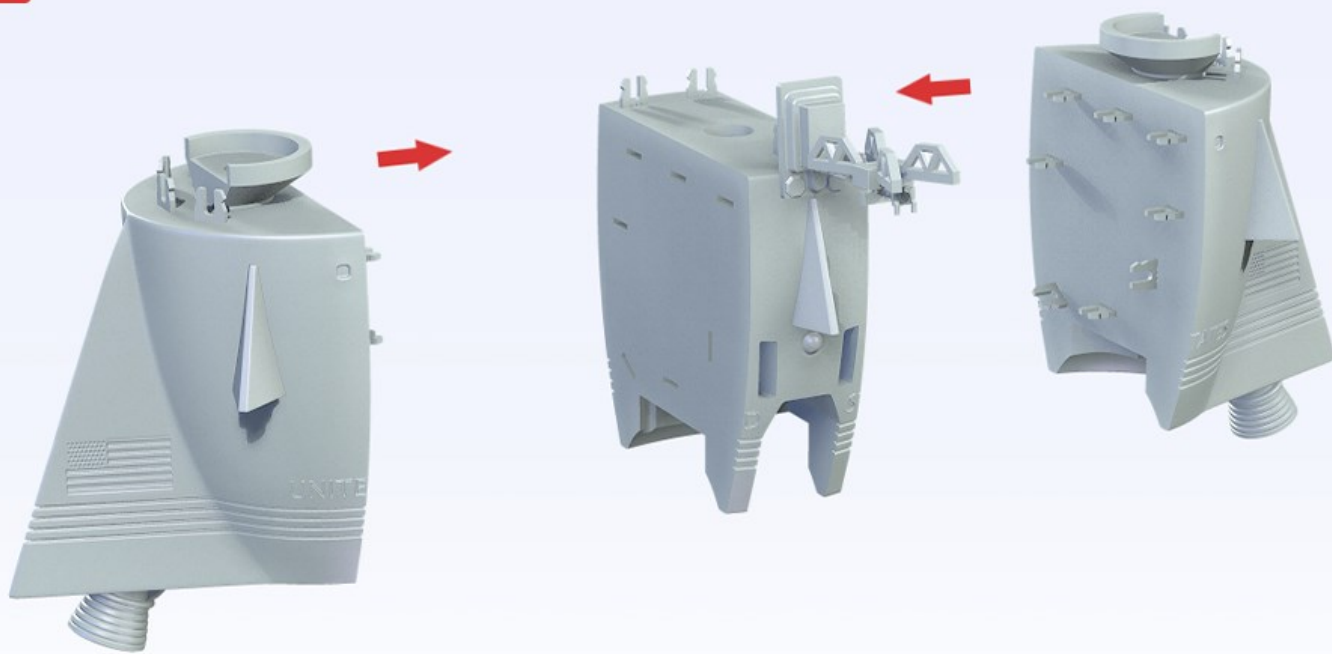
41



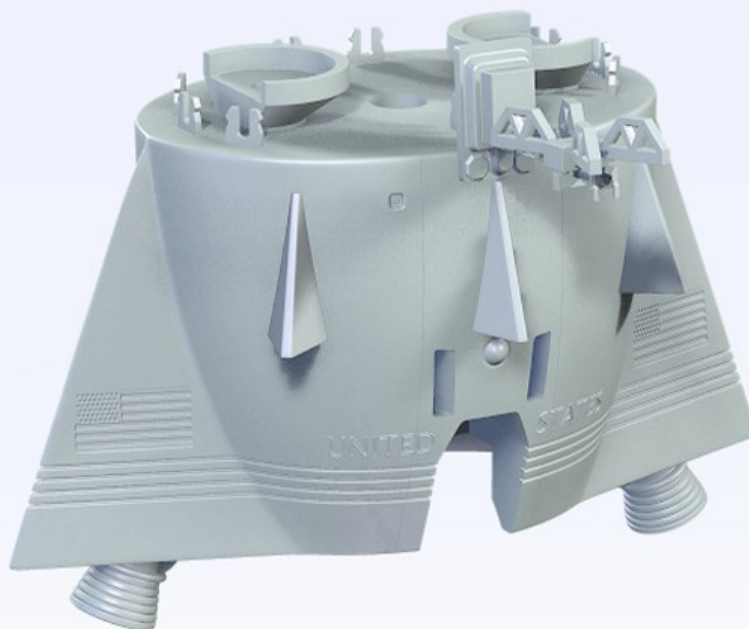
42



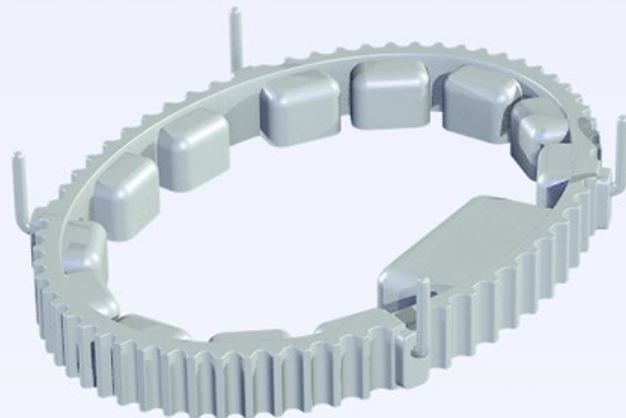
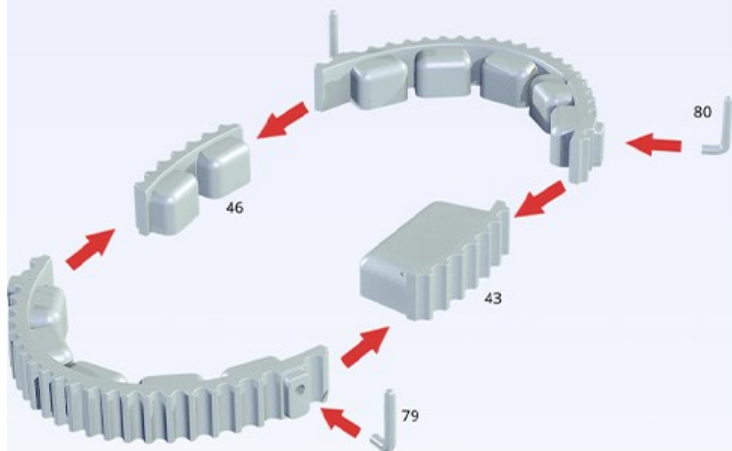
43



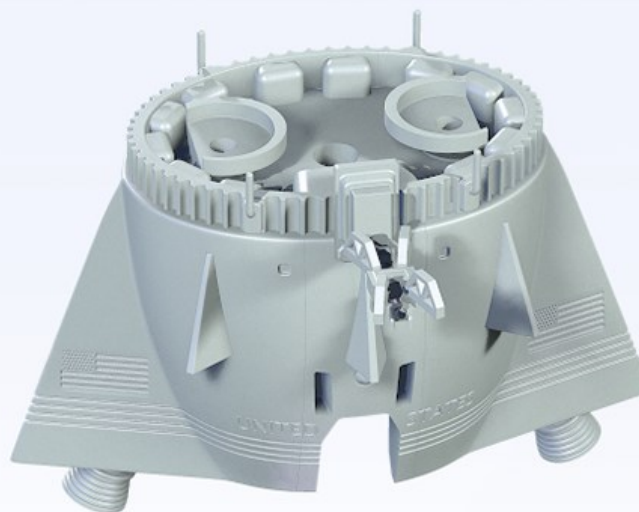
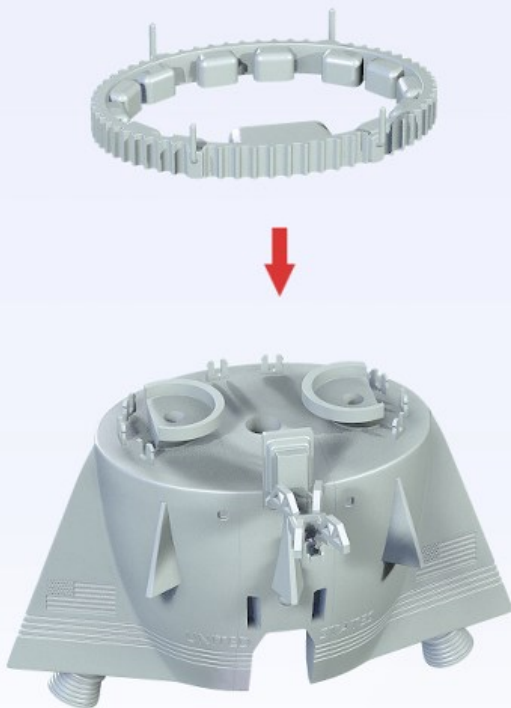
44



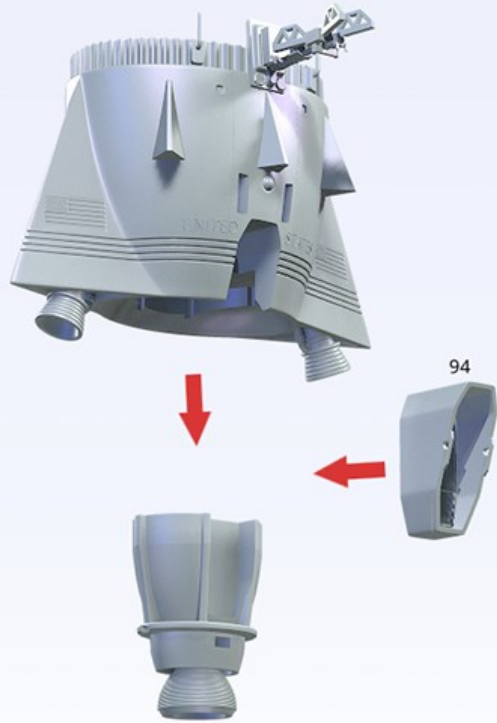
45



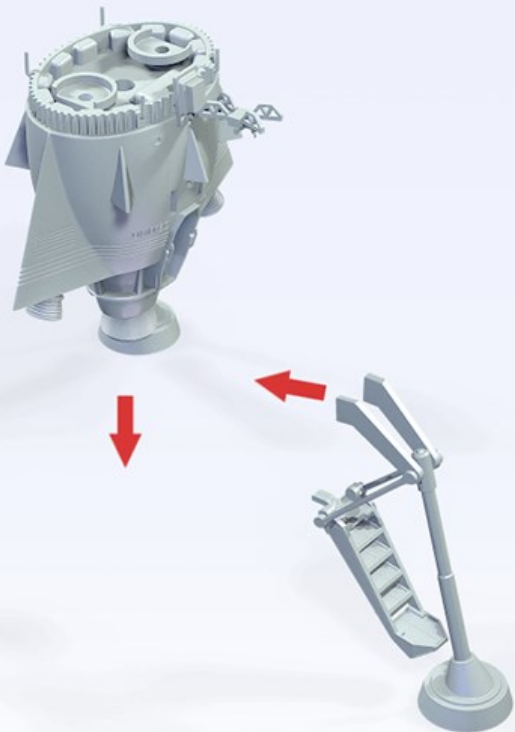
46



47



48



49

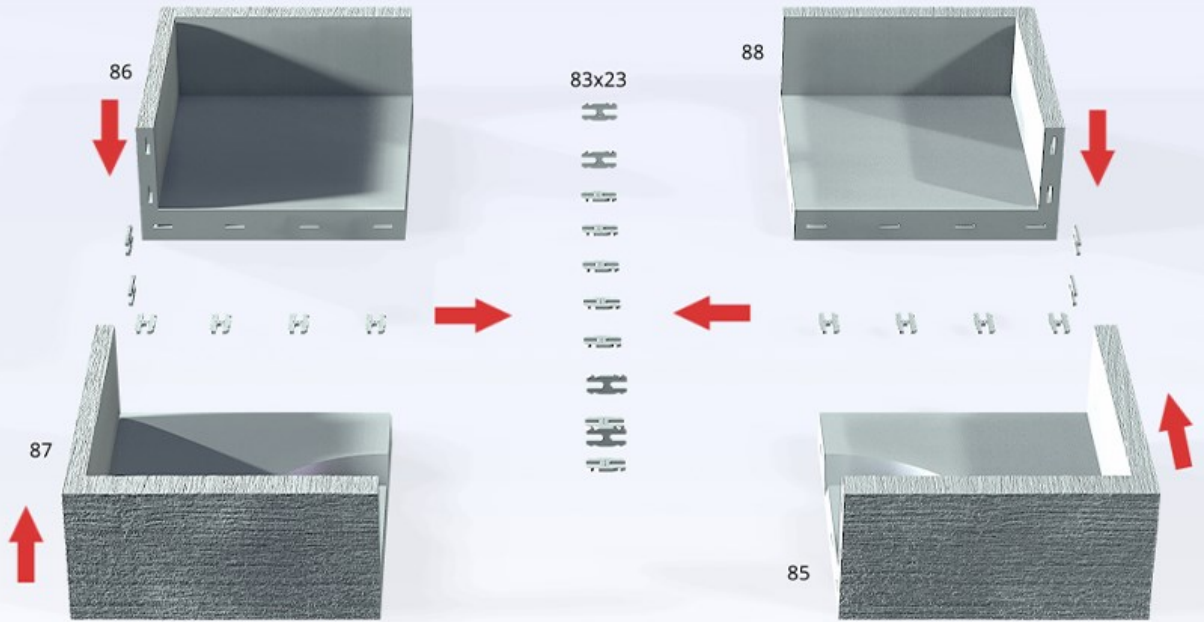


50

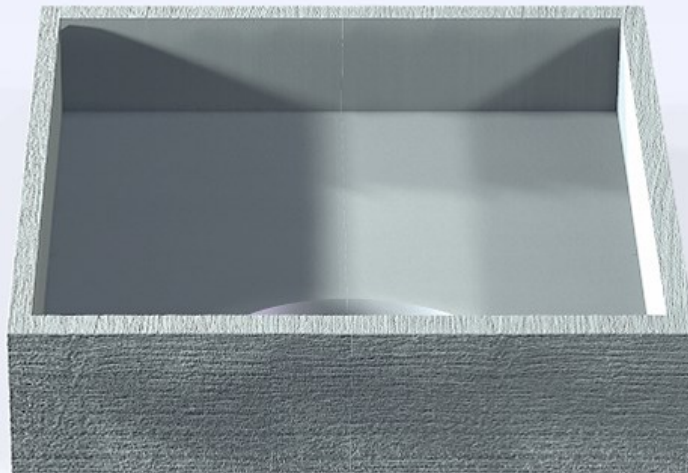


Water Surface Platform

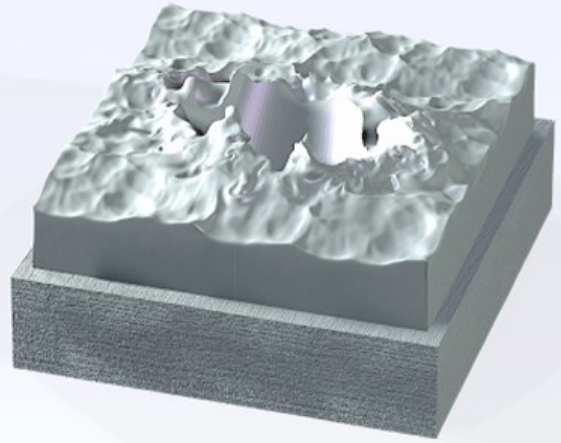
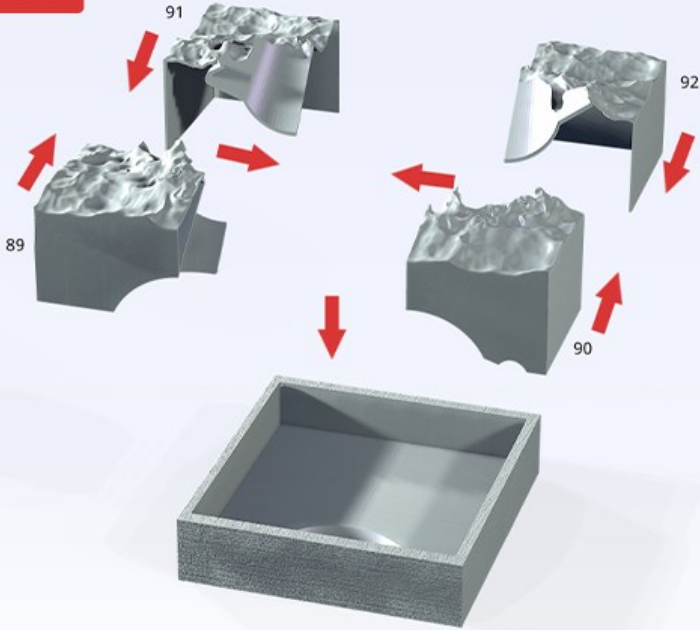
51



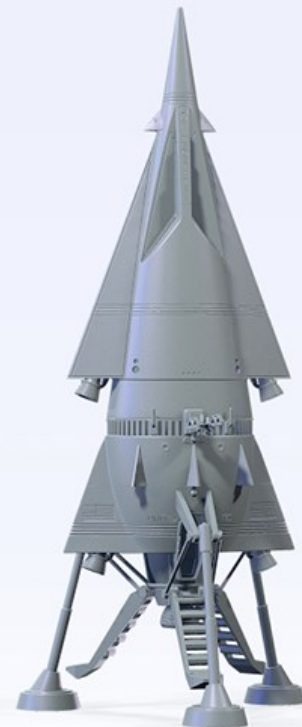
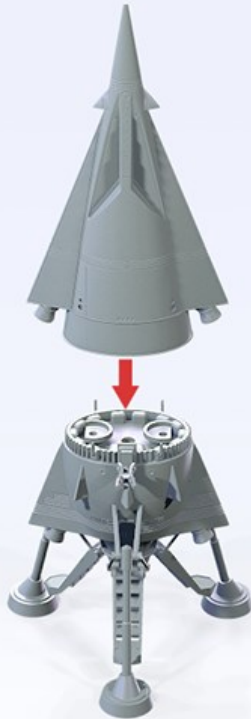
52



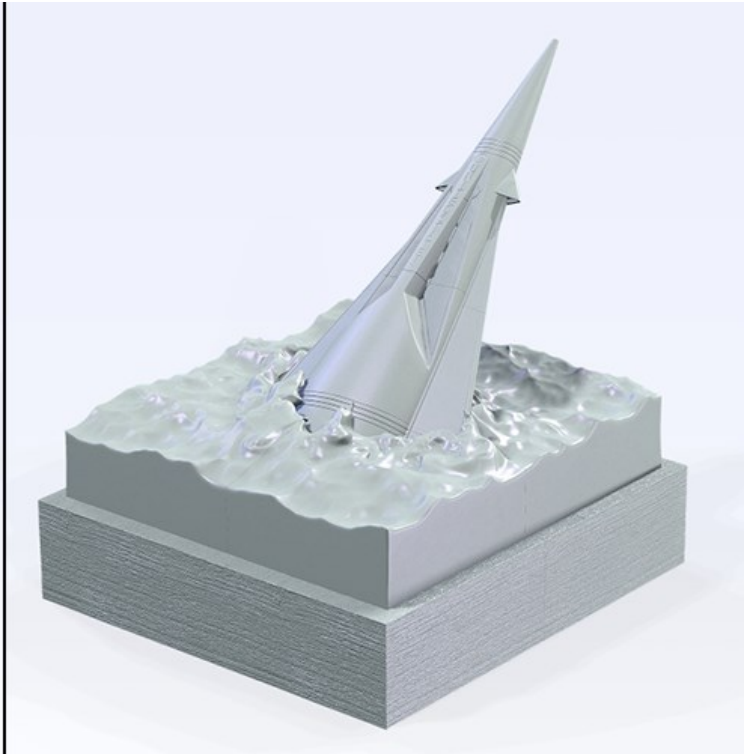
53



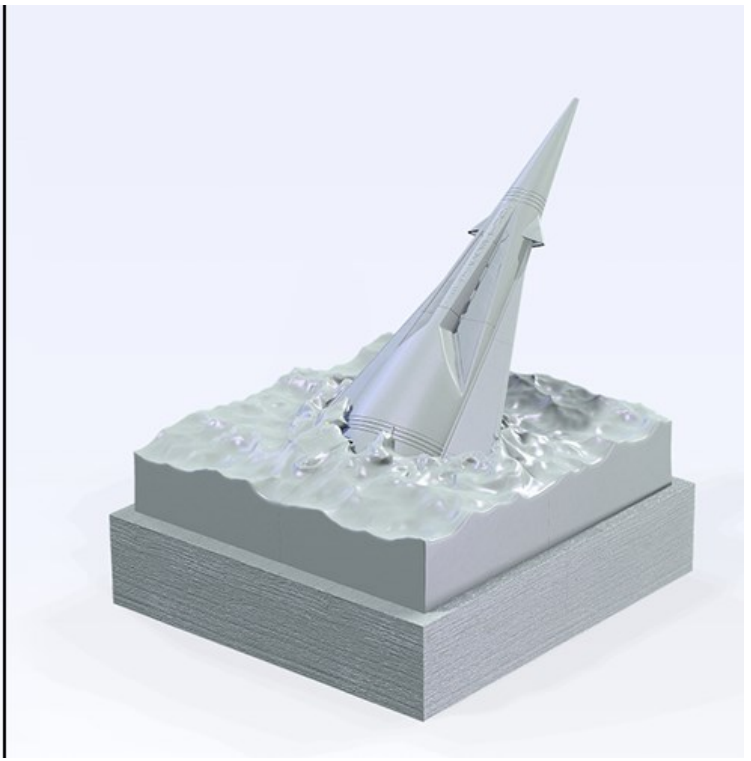
54



54



56



STL files of all 3D printing models come with **life-time full technical support** from Gambody team. If you want to have the model cut otherwise after the purchase, please, request changes at support@gambody.com.

Thank you for choosing **Gambody!**