



Harley-Davidson

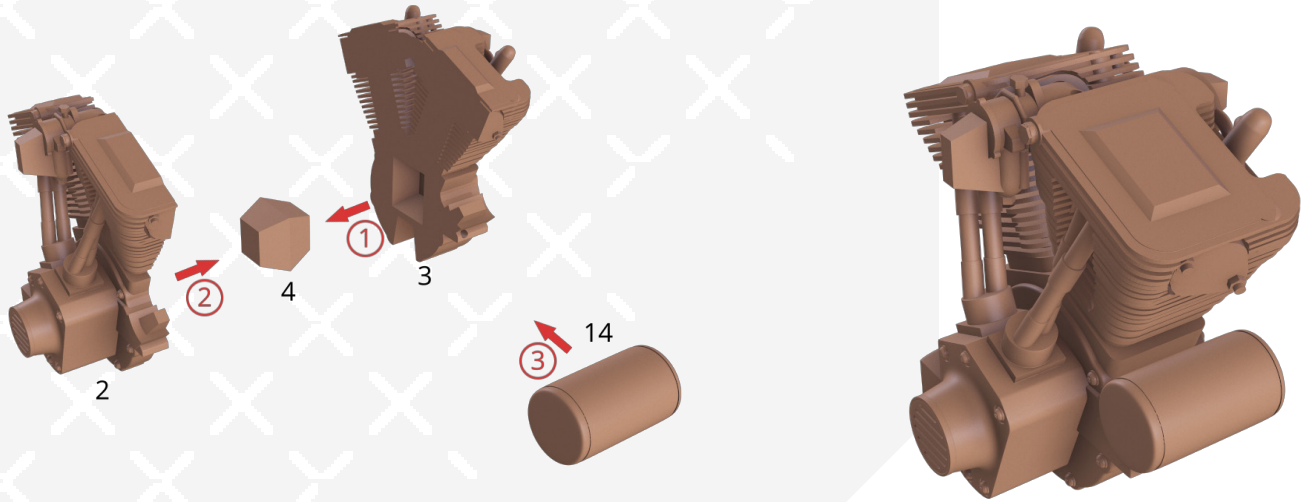
Fat Boy 1991

3D printing model

Assembly manual  
for **FFF/FDM**

Garmin  
body

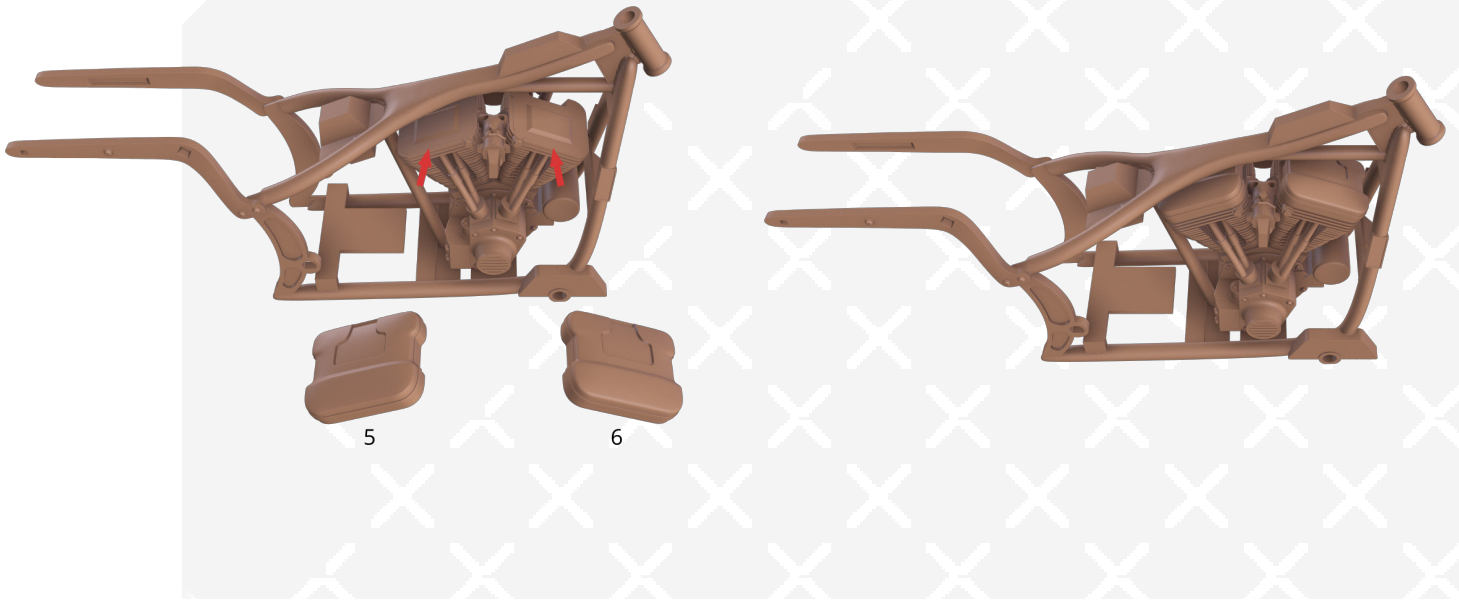
1



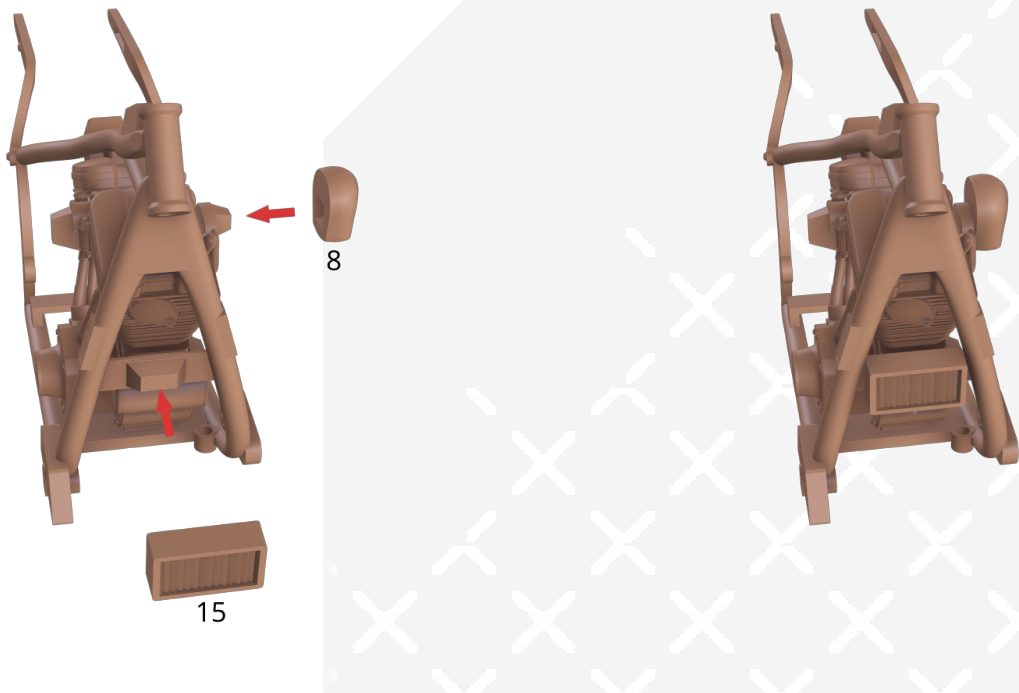
2



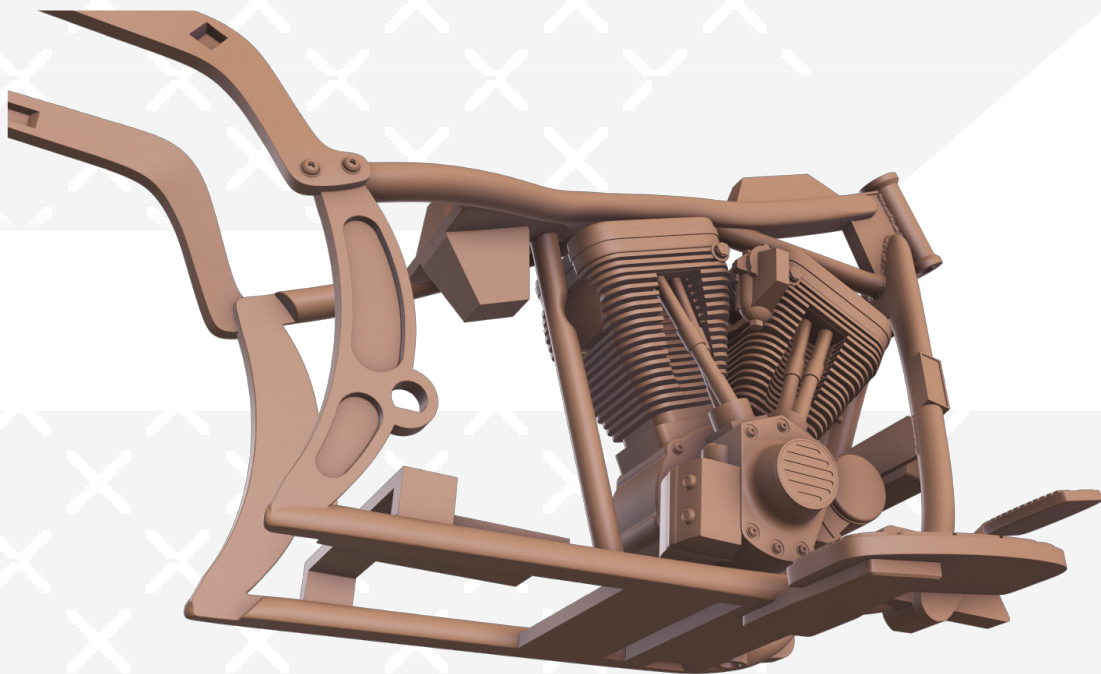
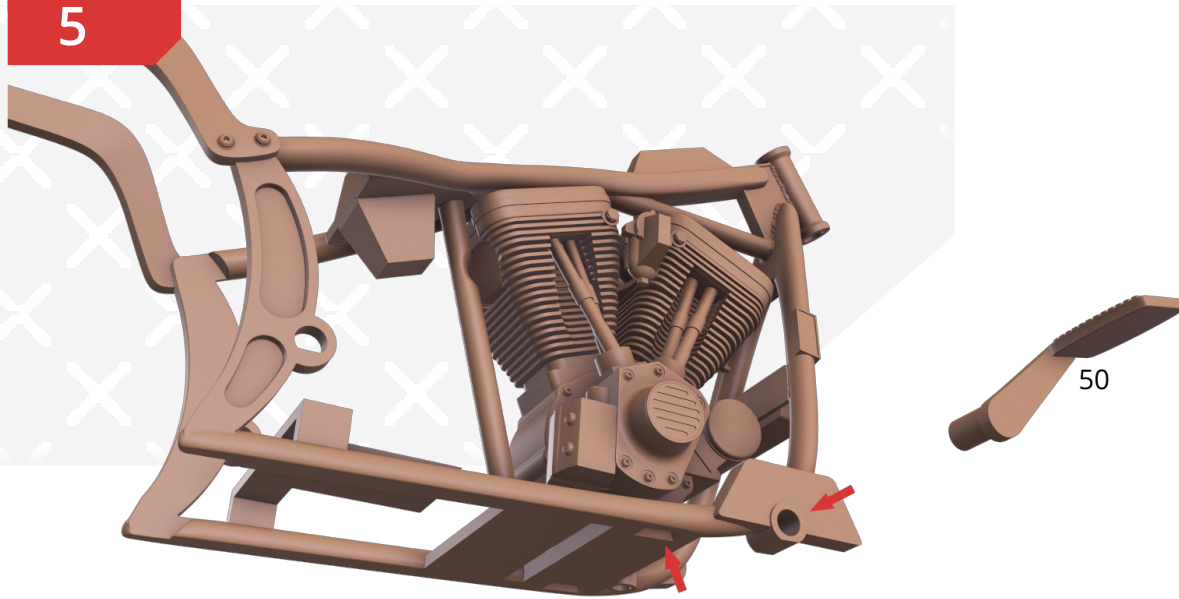
3



4



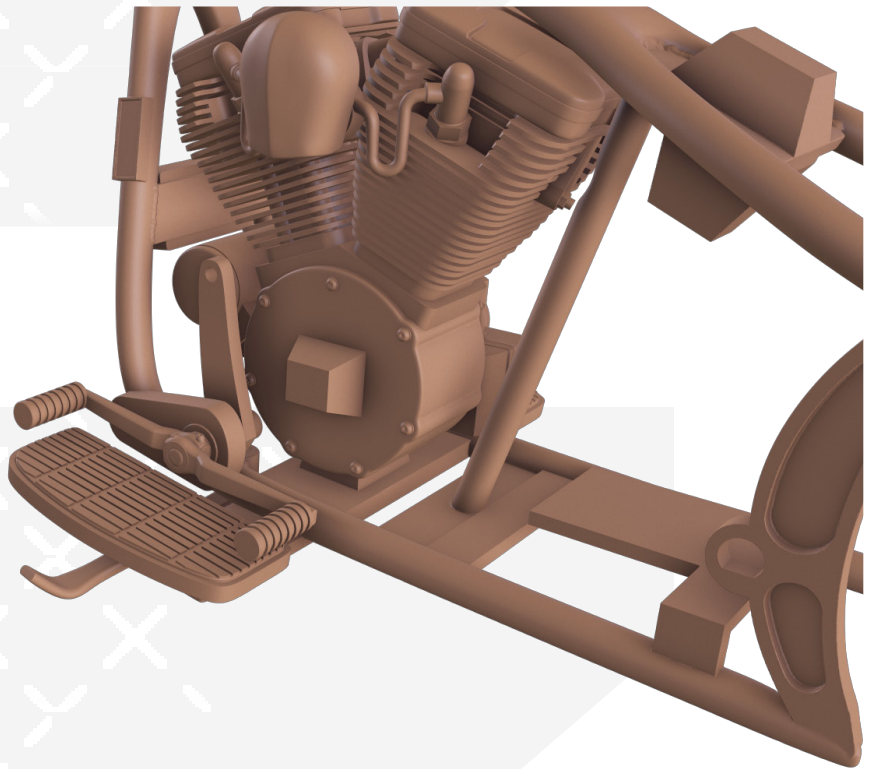
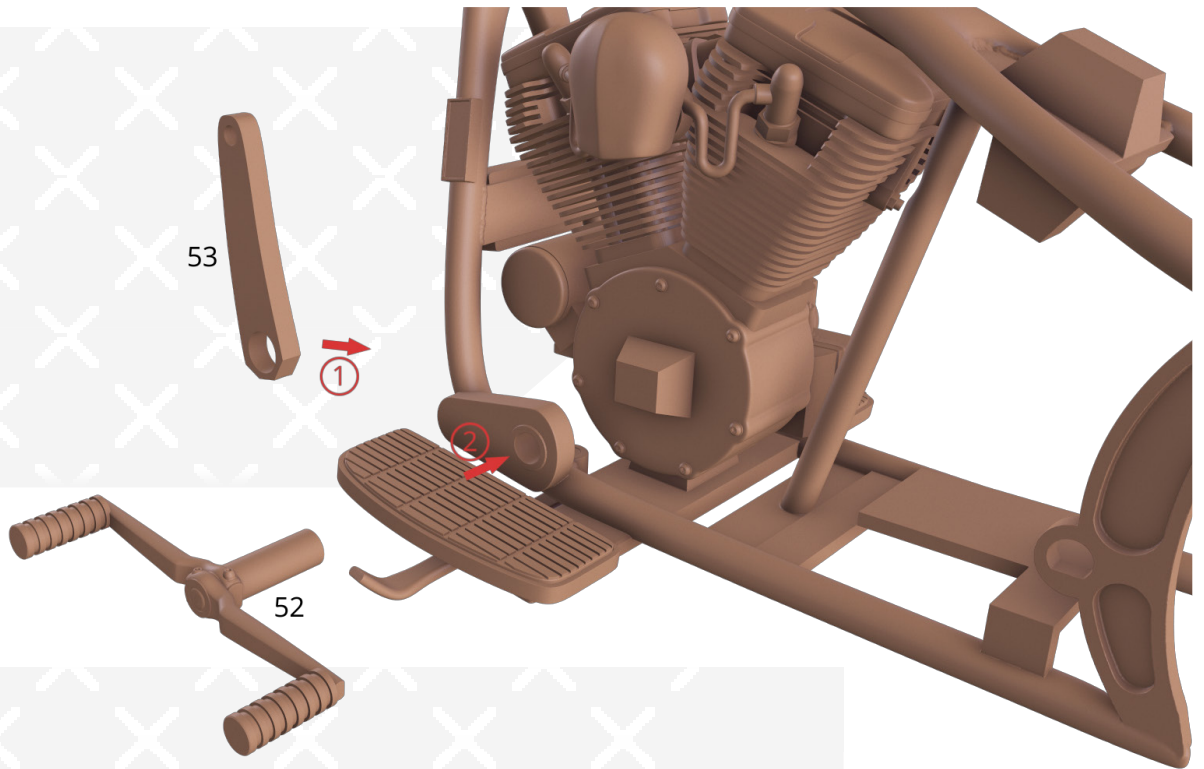
5



6



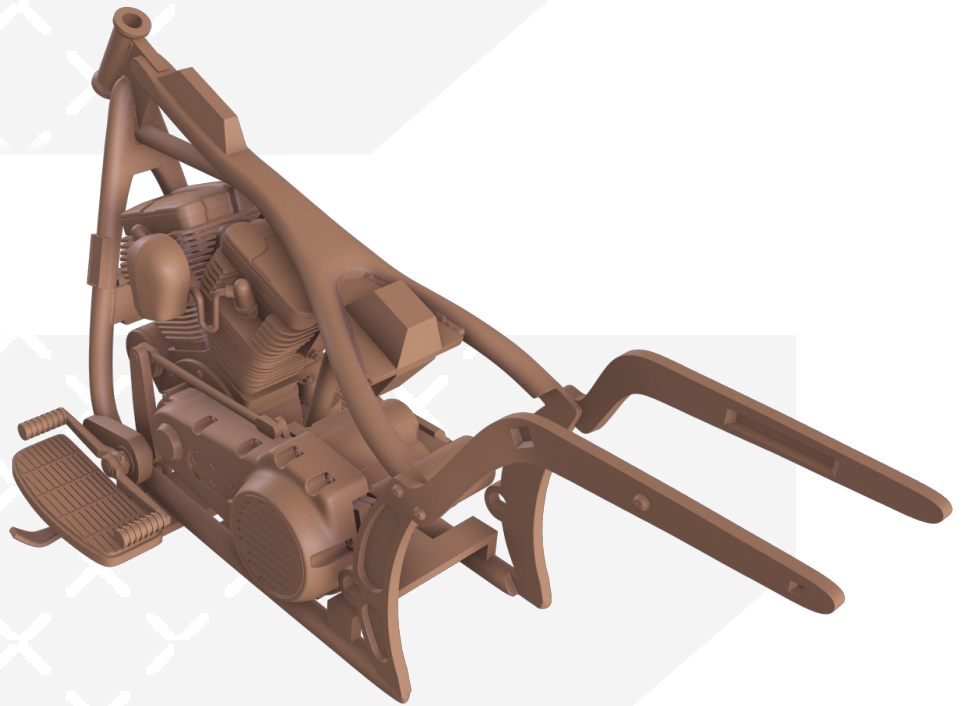
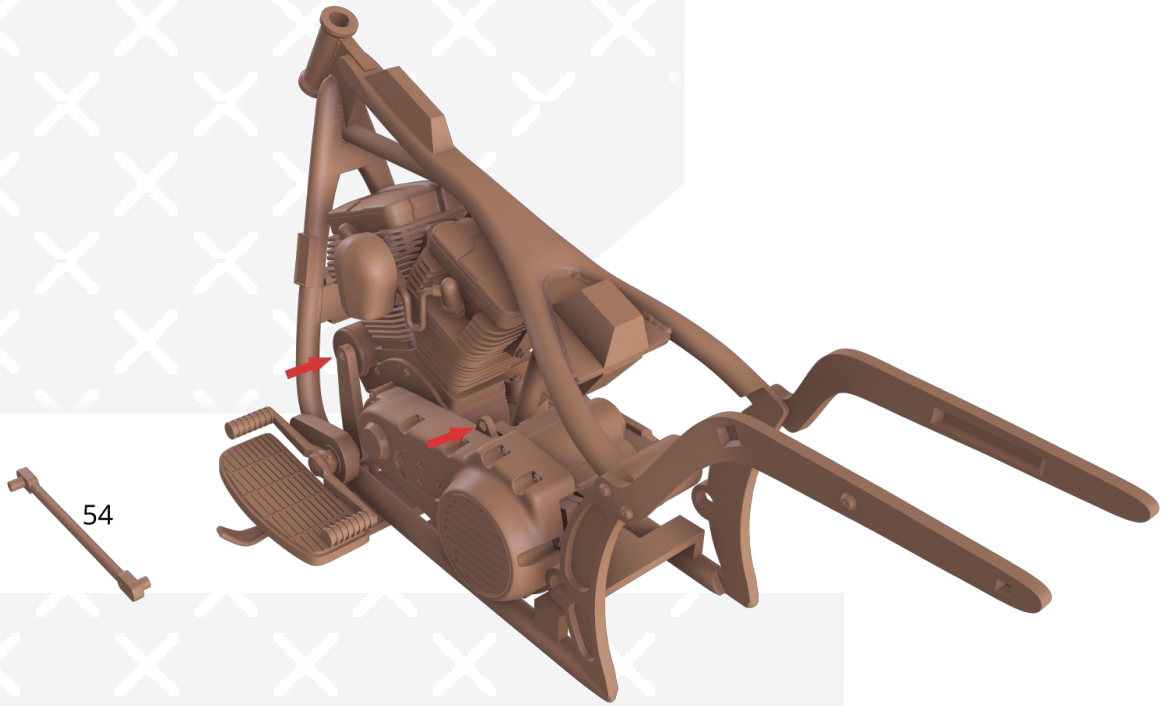
7



8

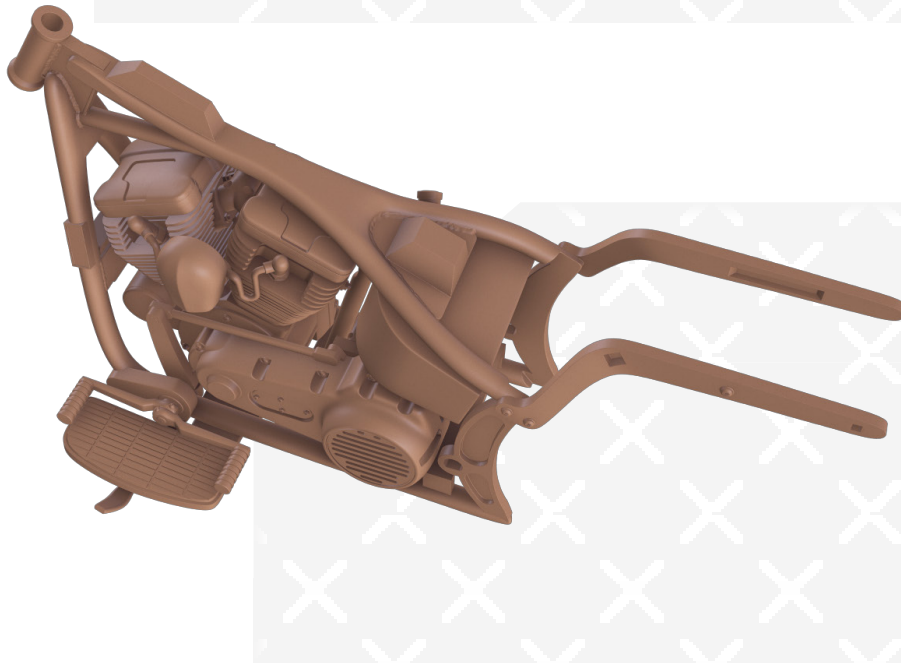
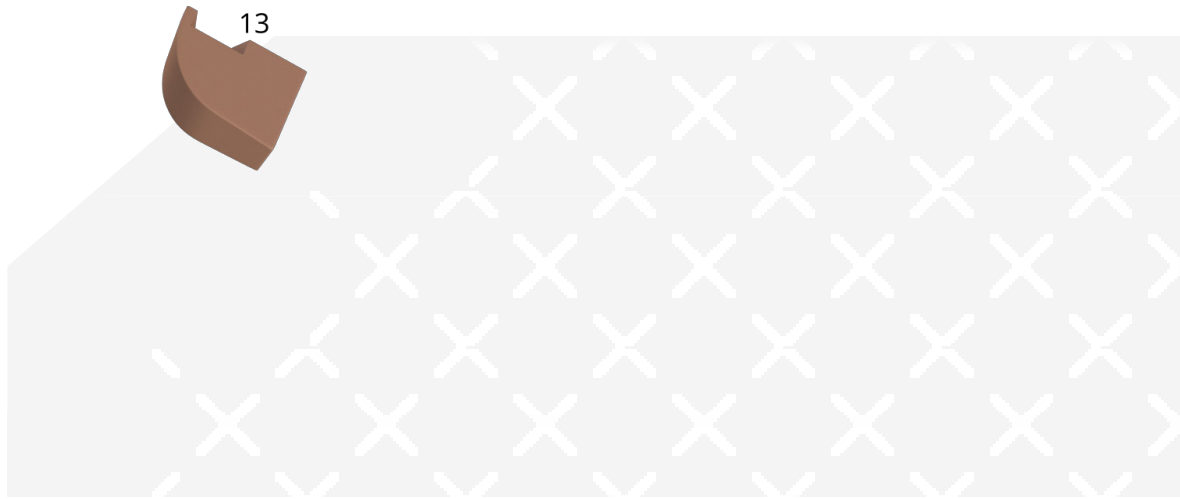
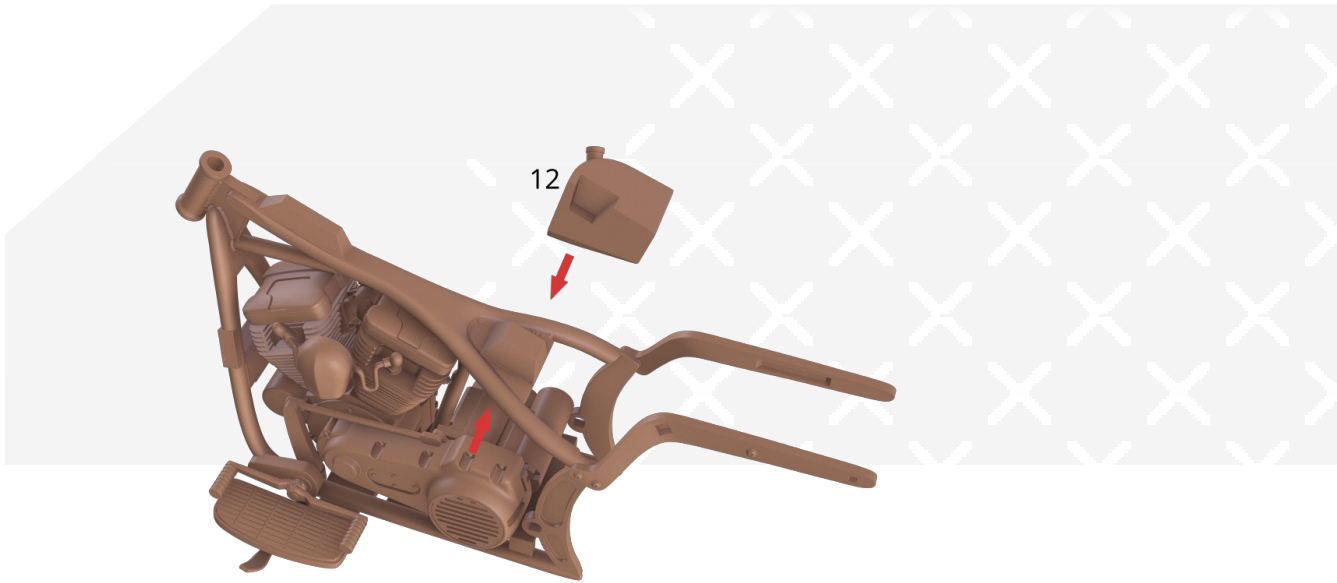


9





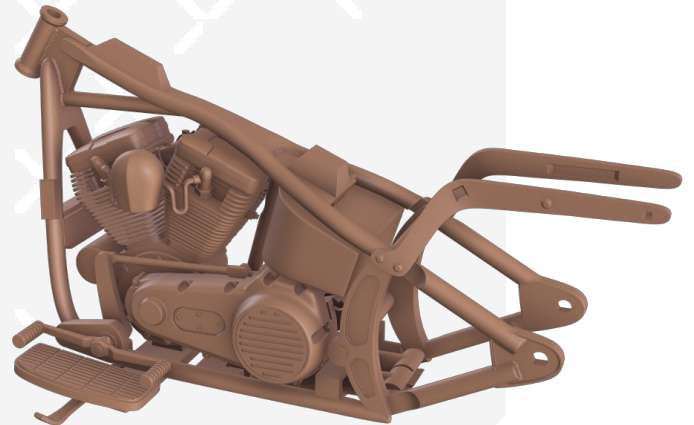
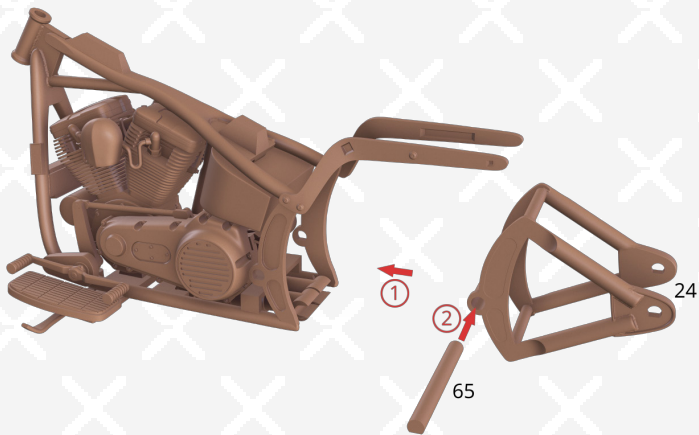
10



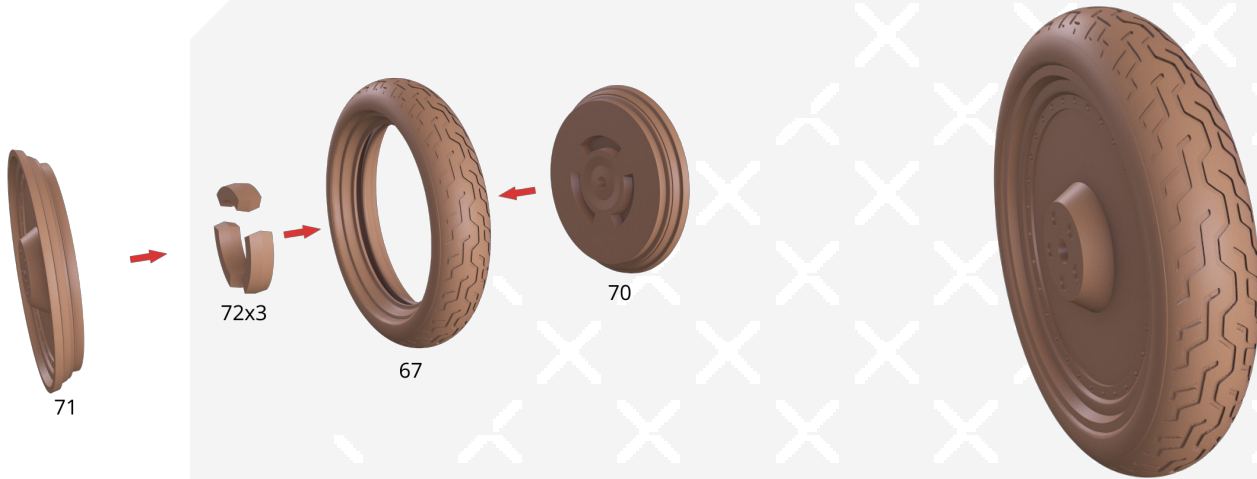
11



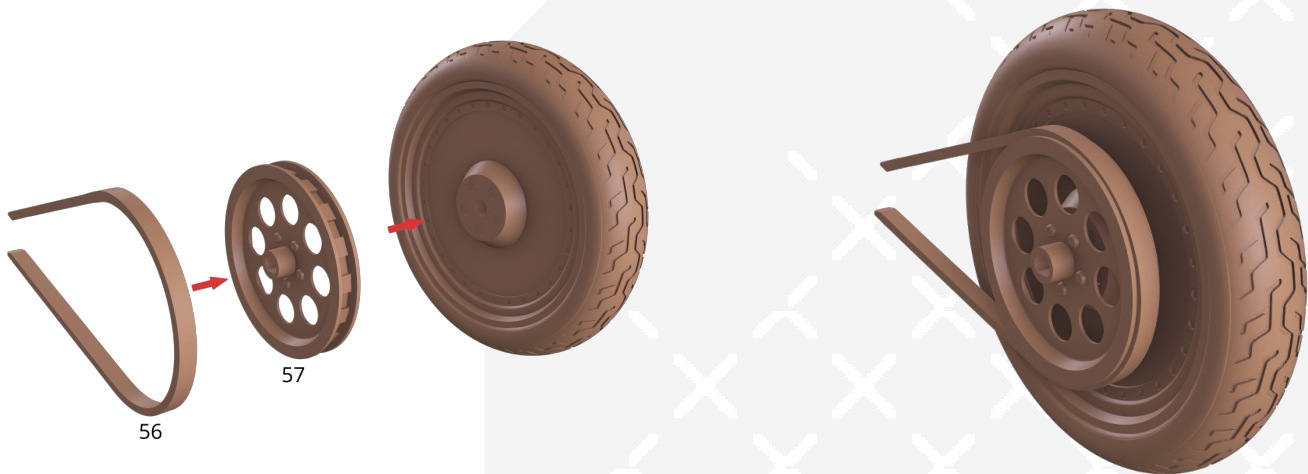
12



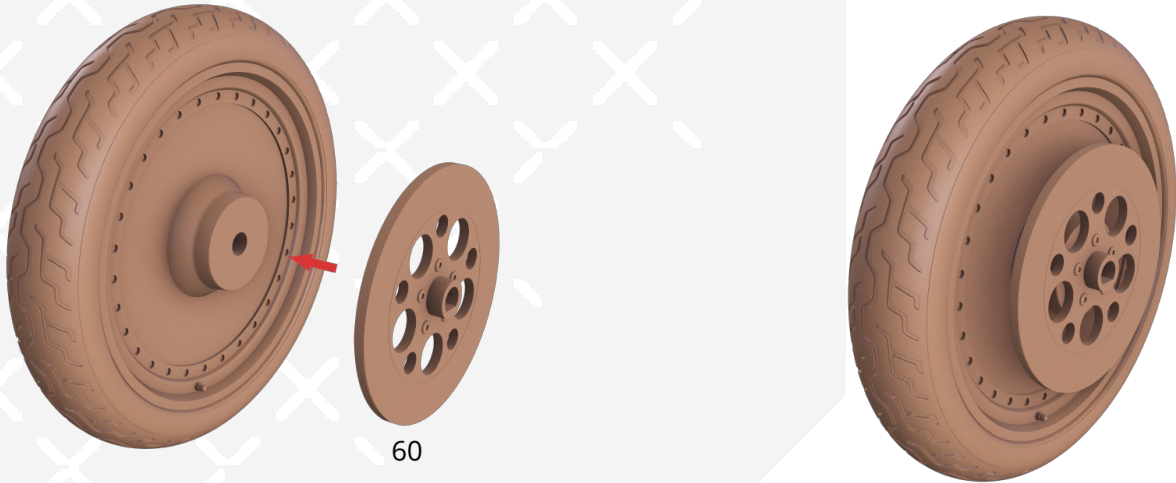
13



14



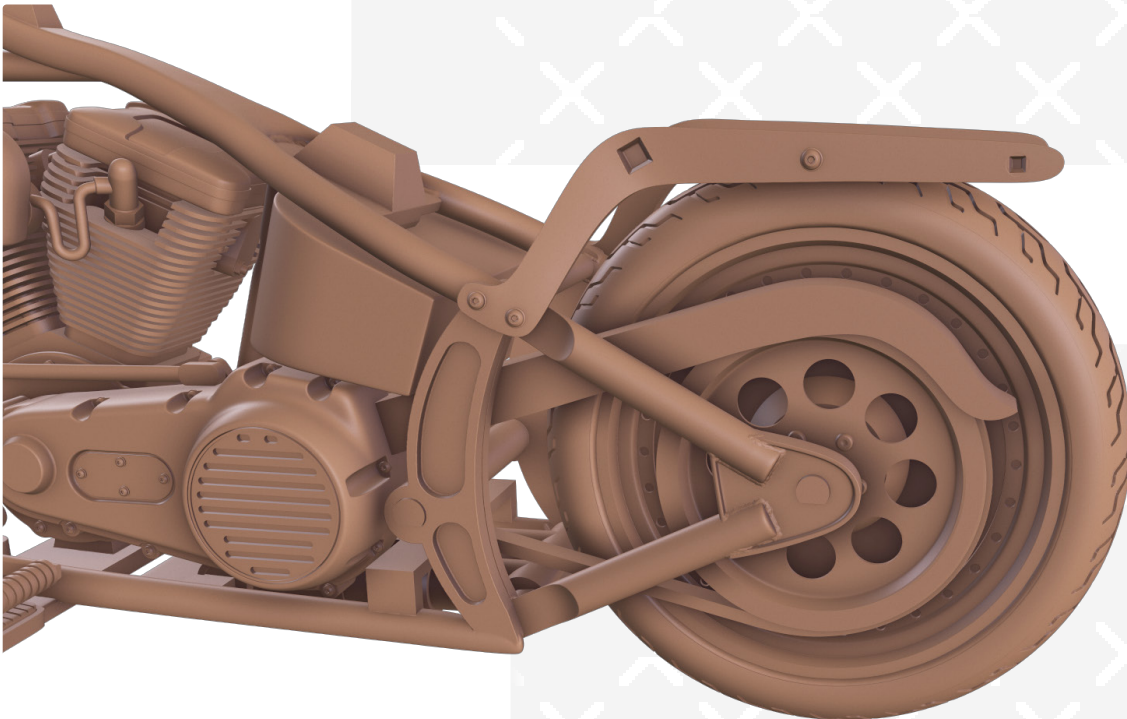
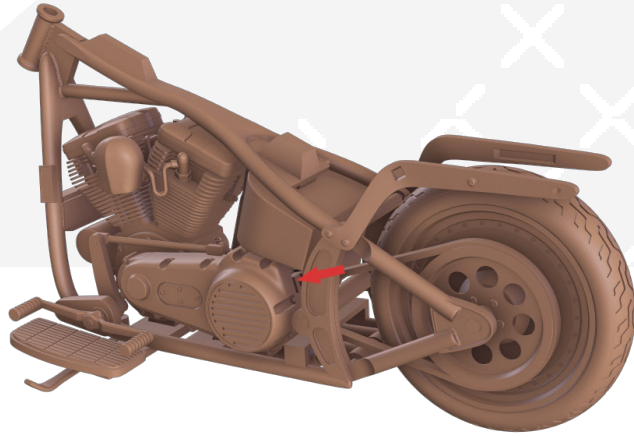
15



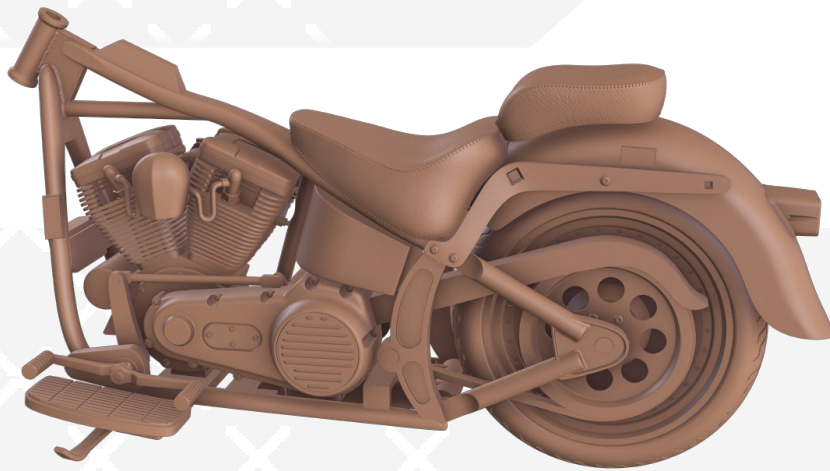
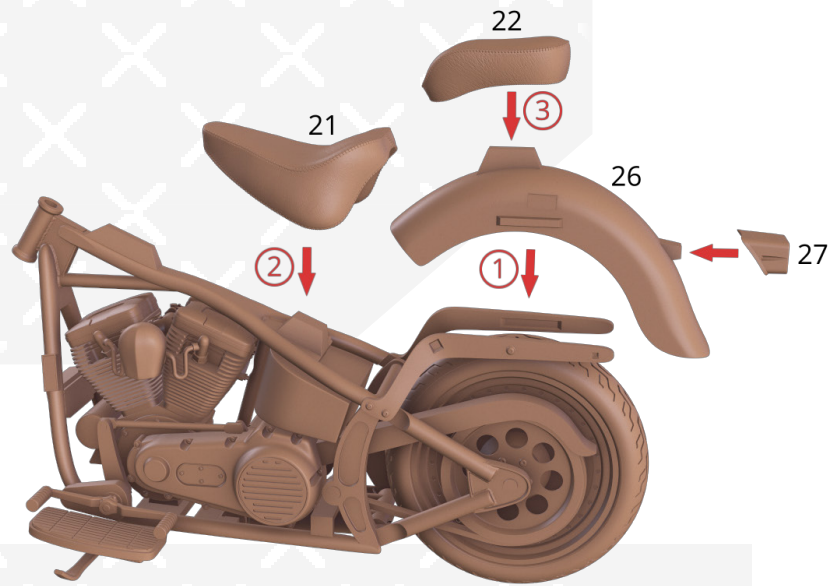
16



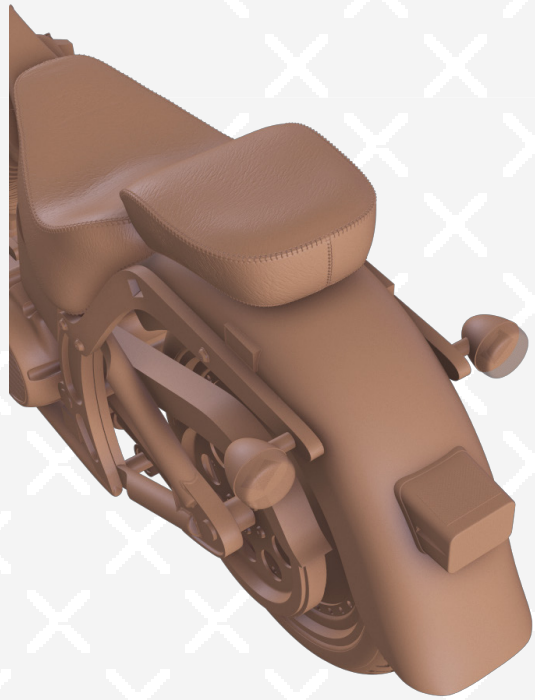
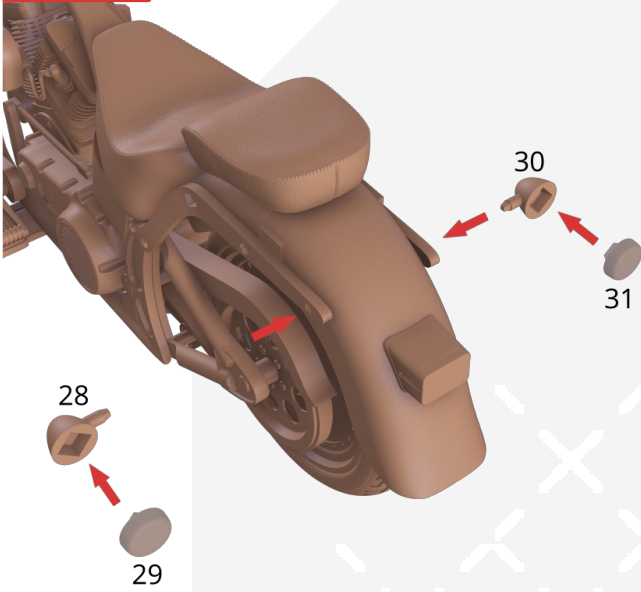
17



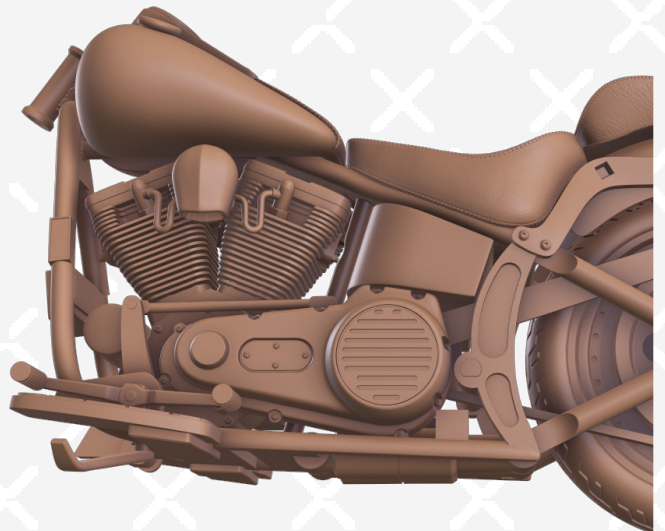
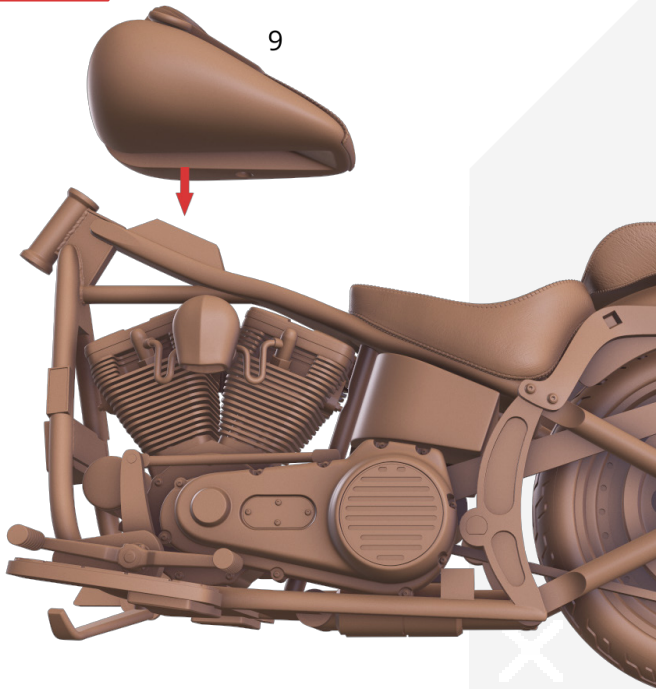
18



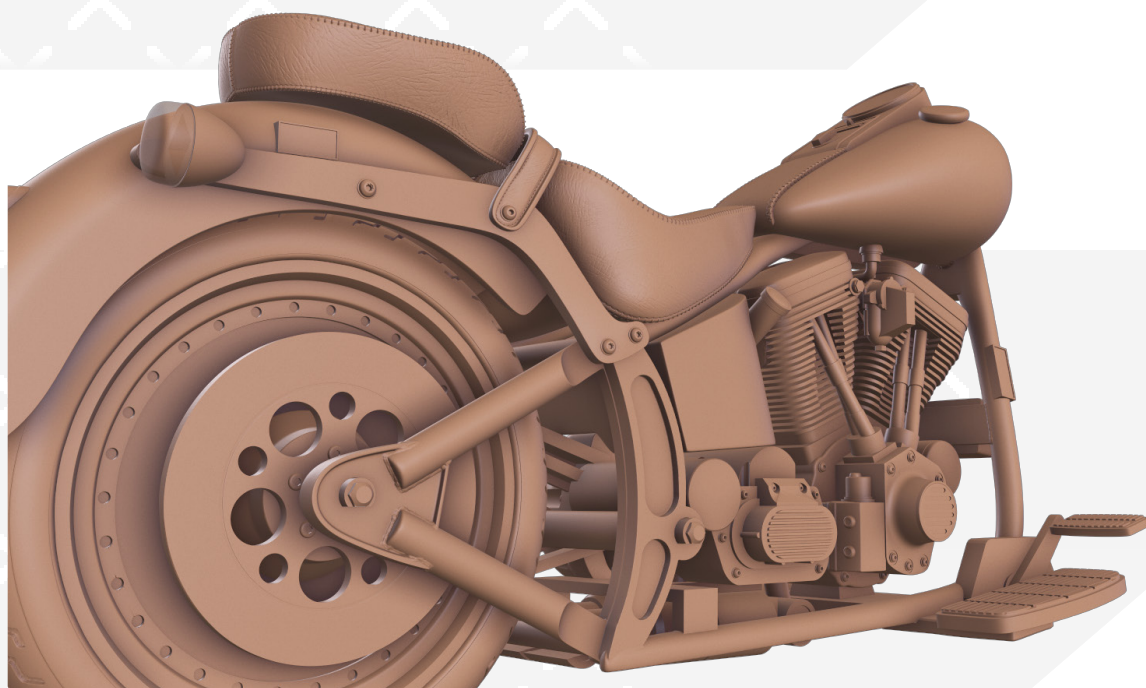
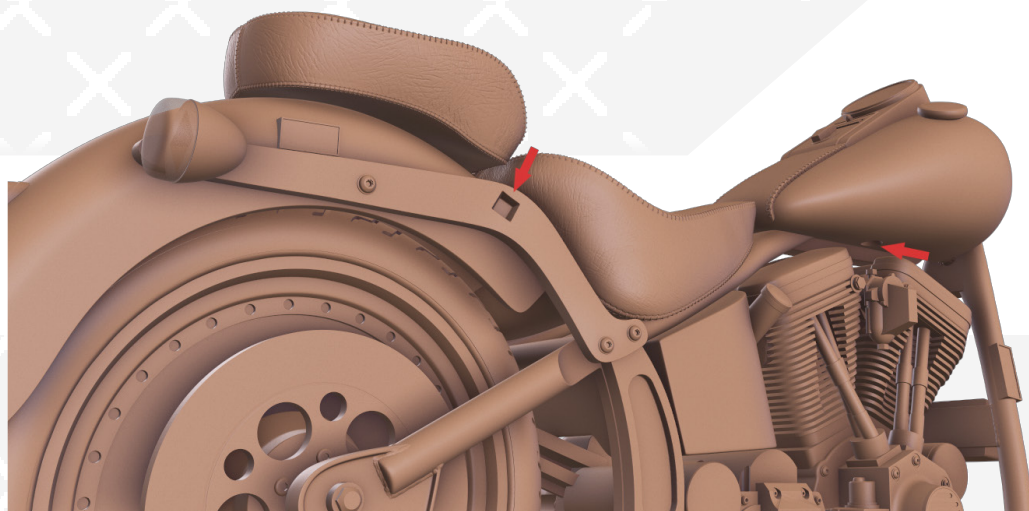
19



20

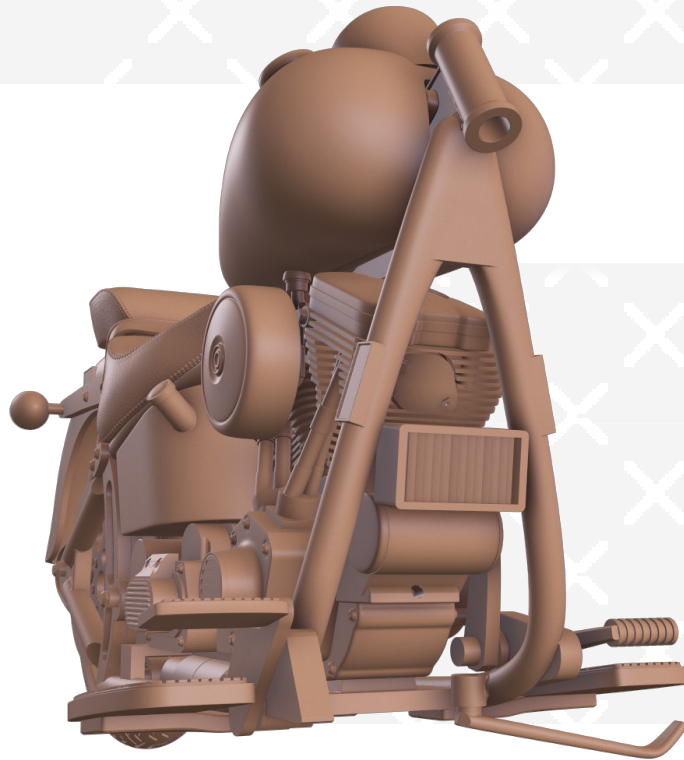
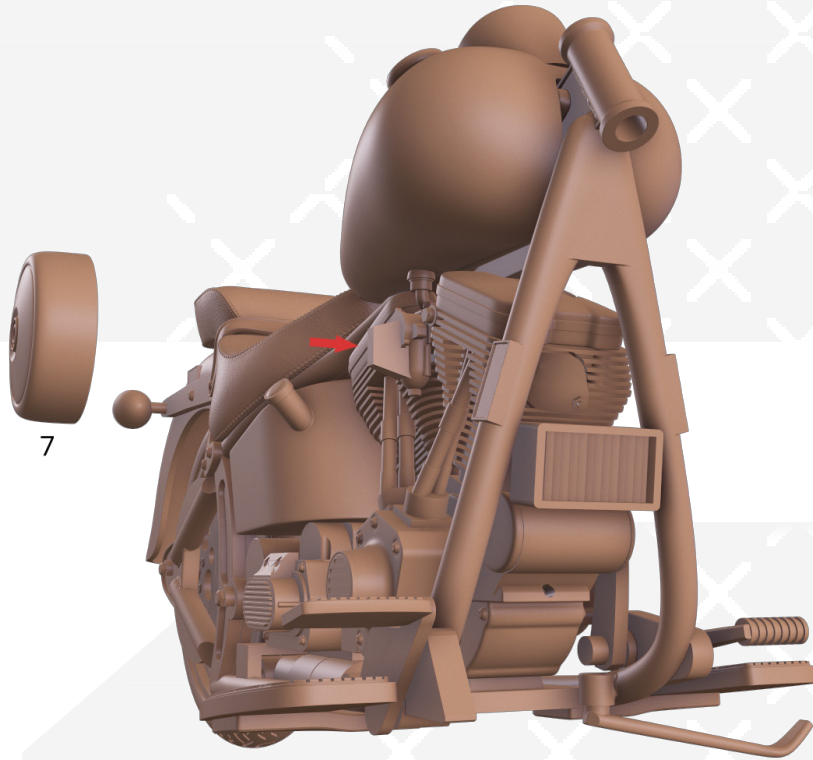


21

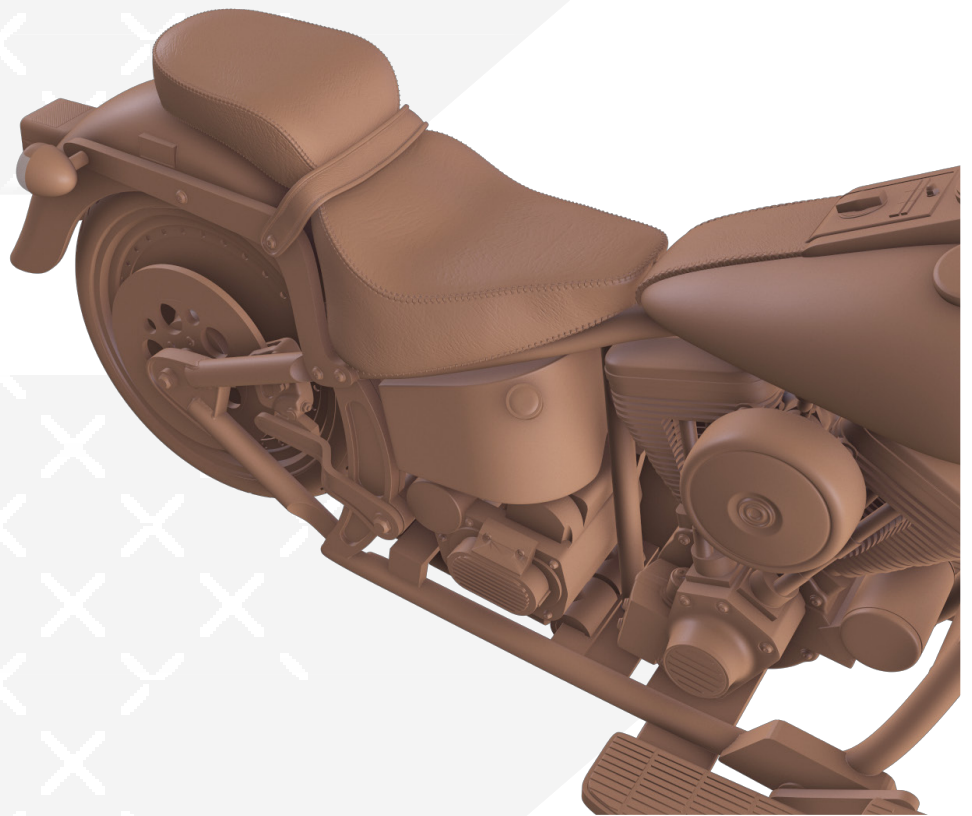
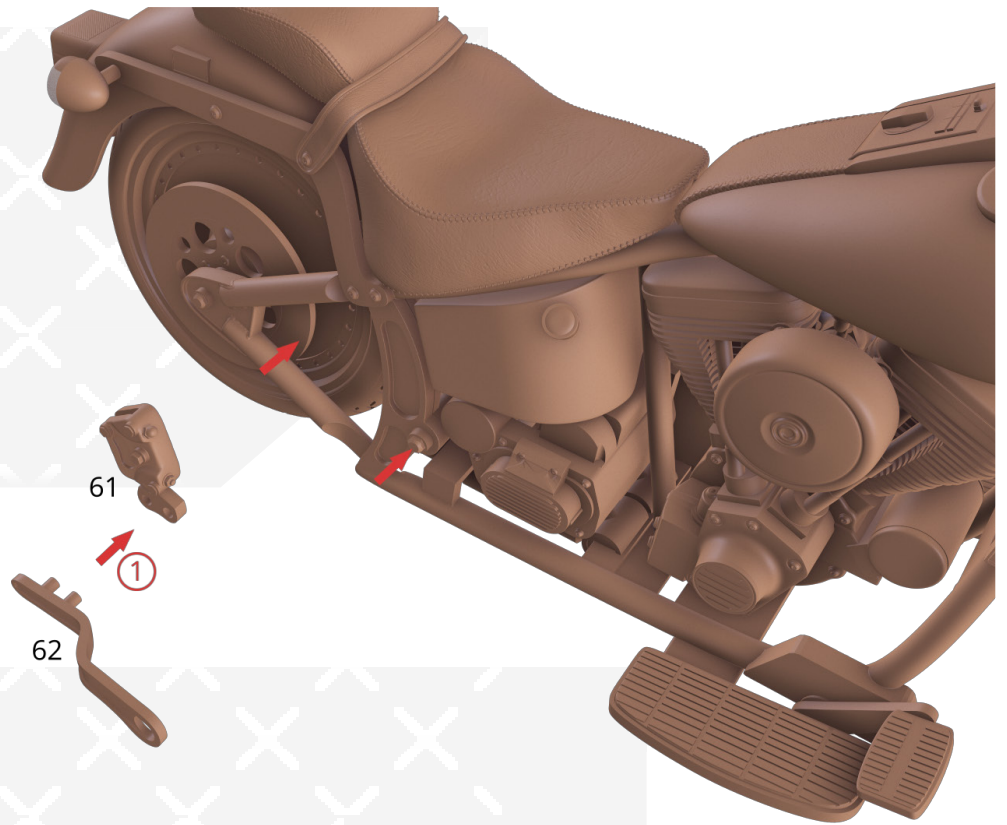




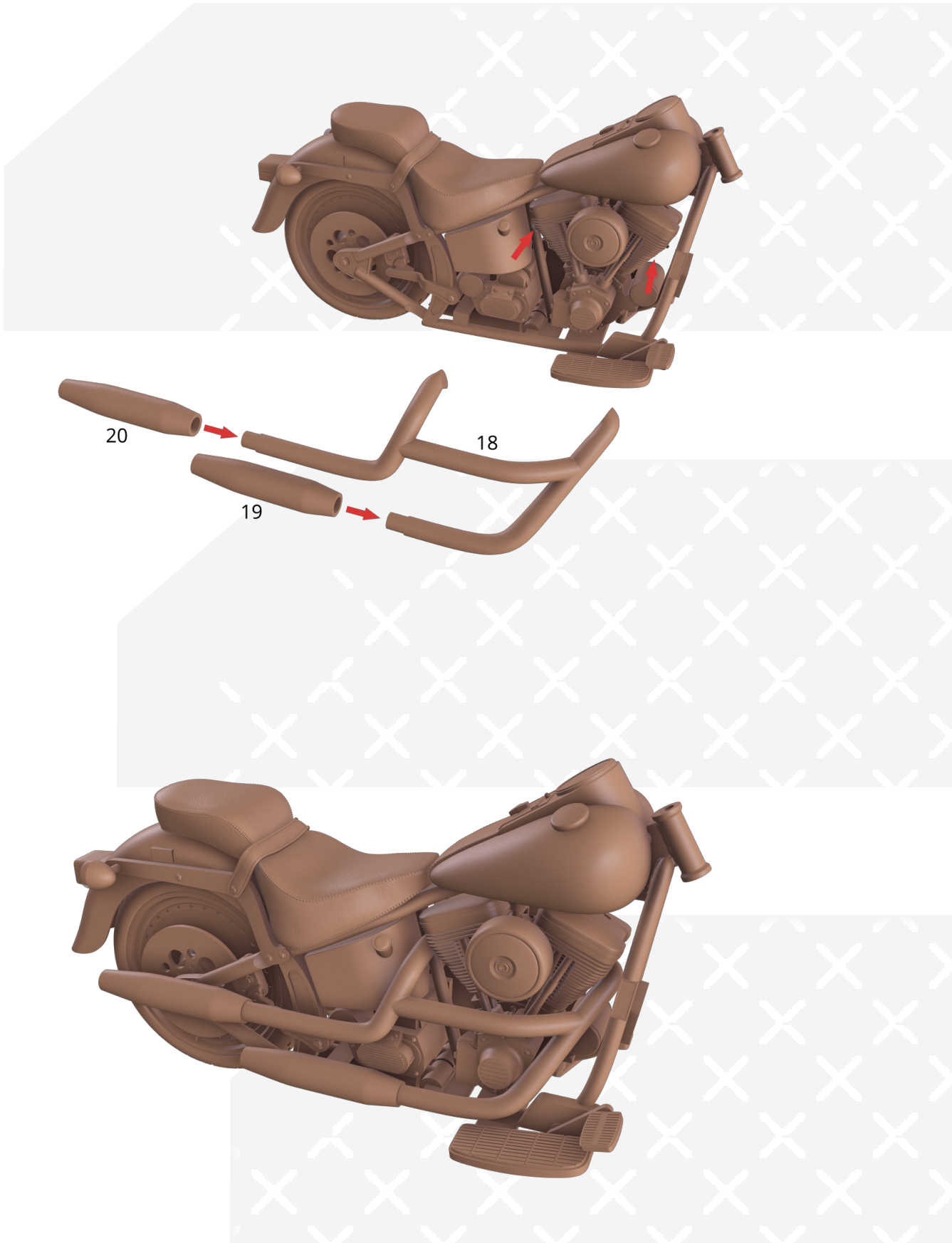
22



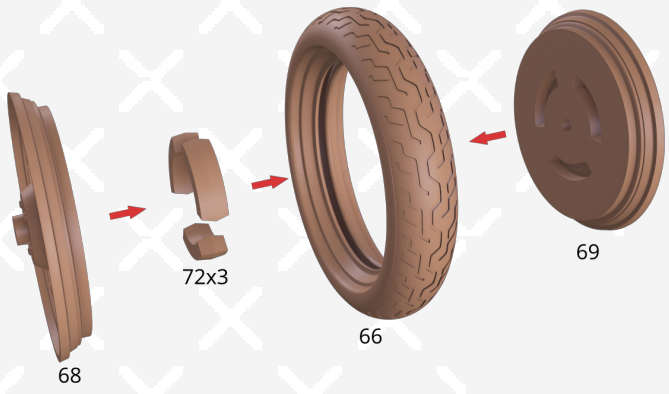
23



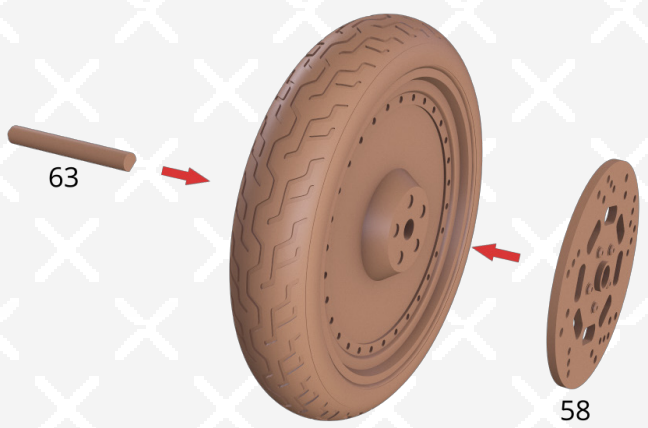
24



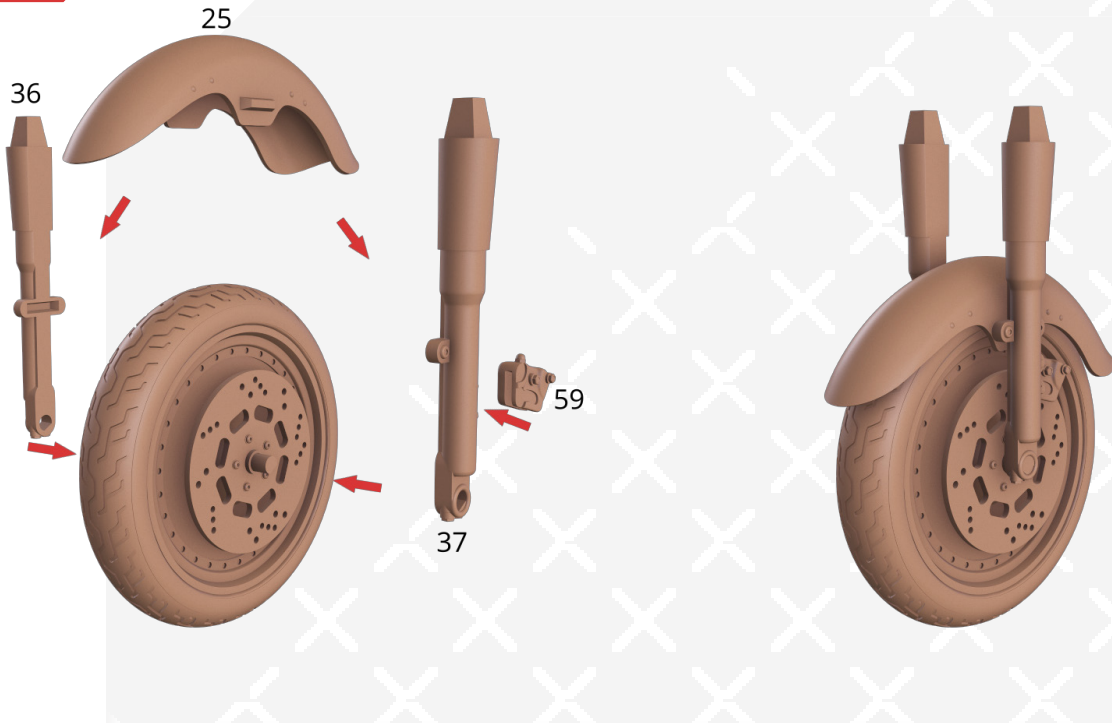
25



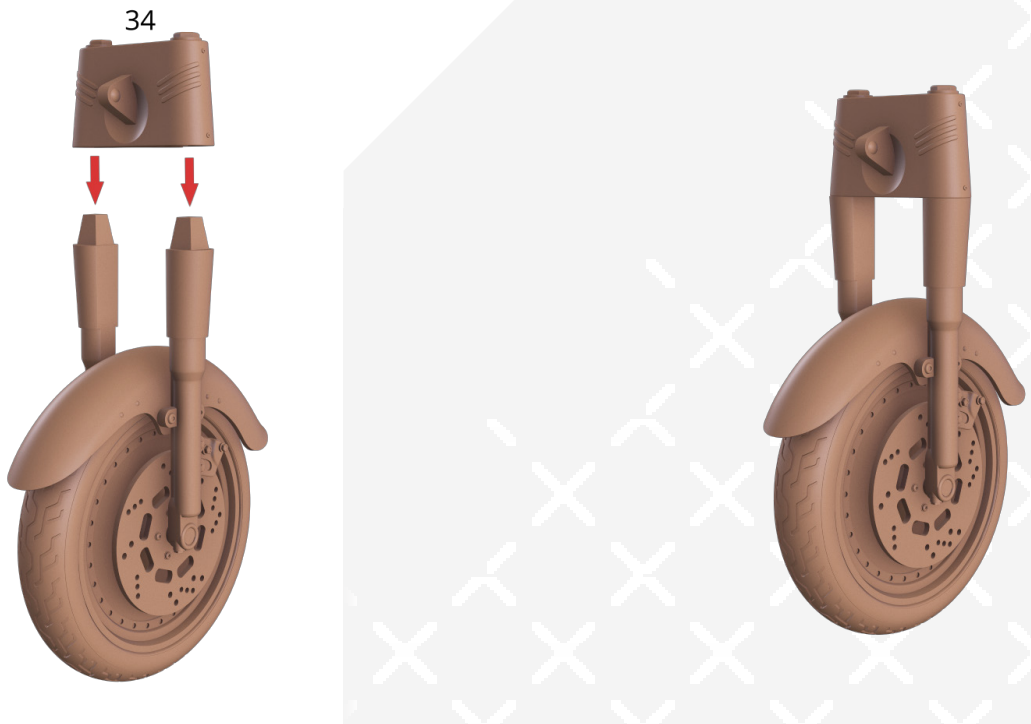
26



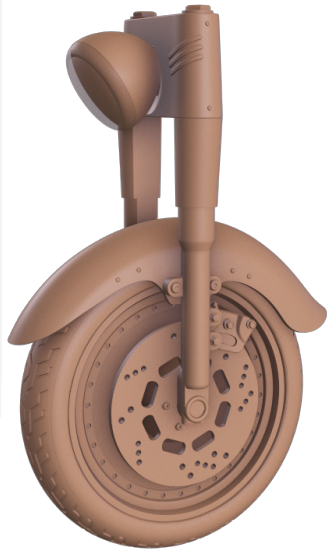
27



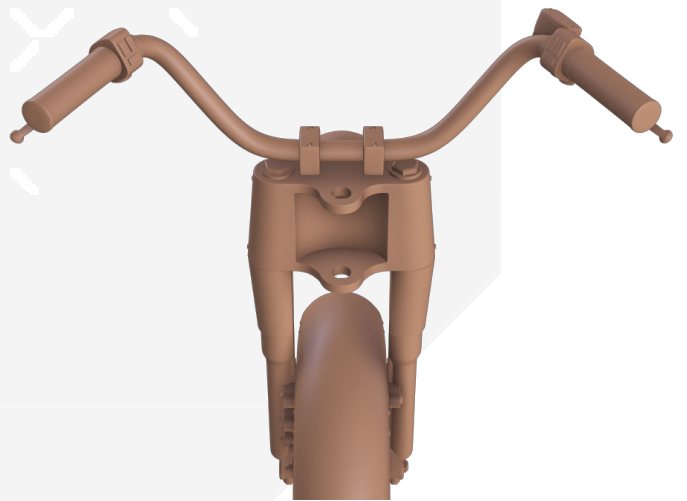
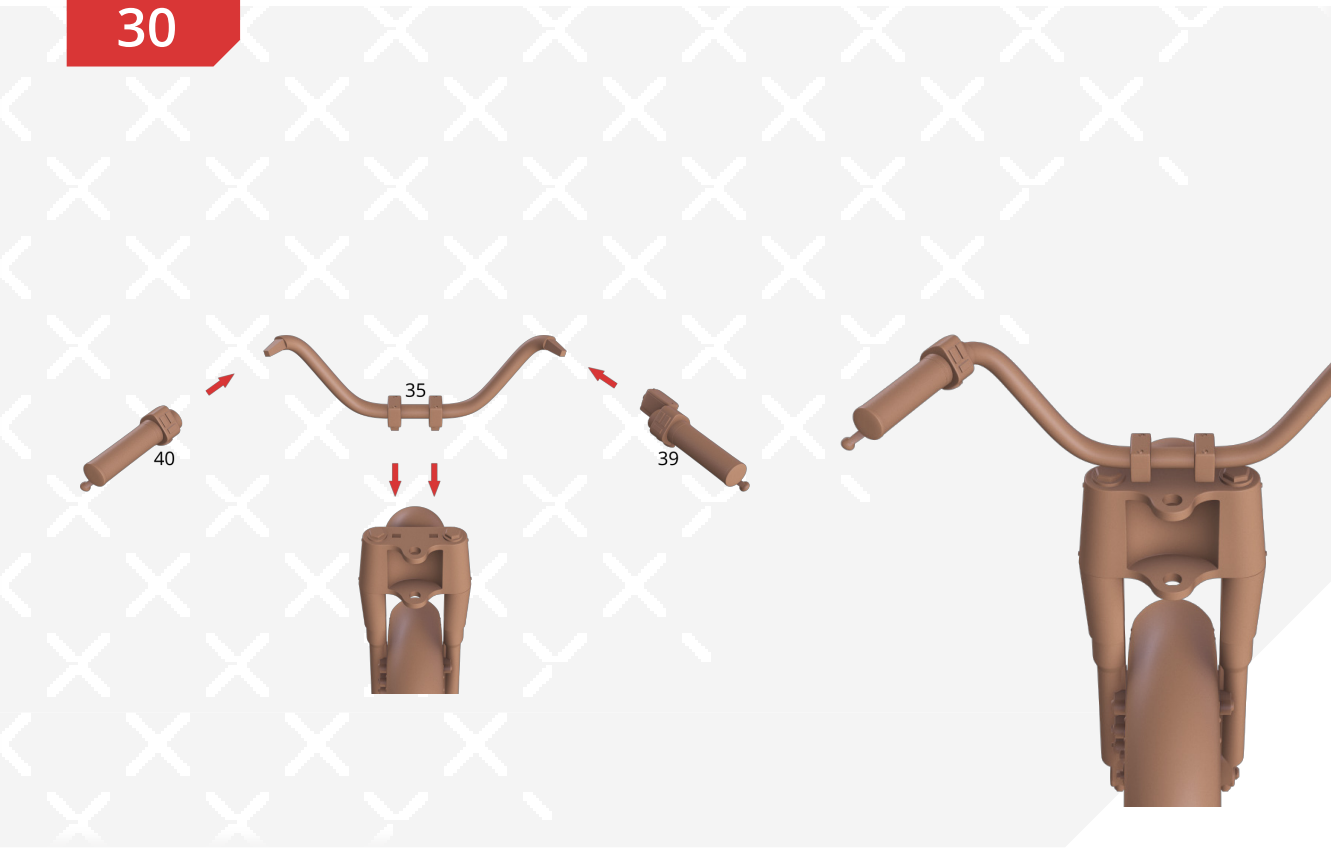
28



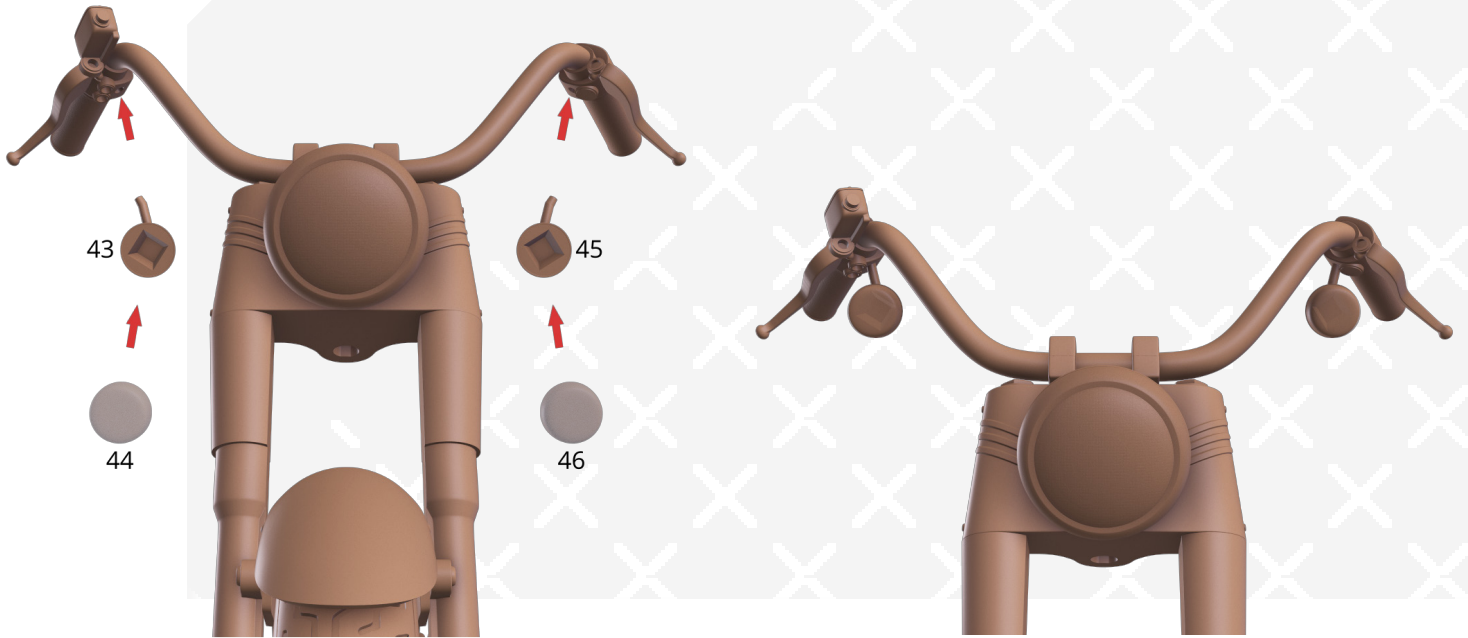
29



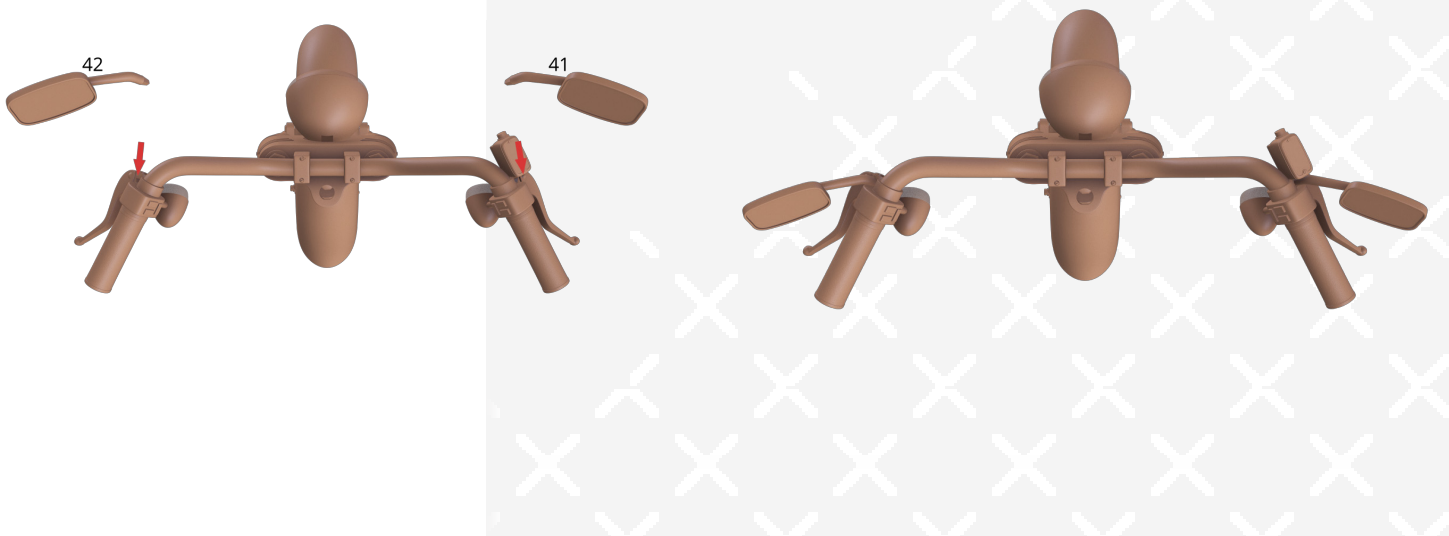
30



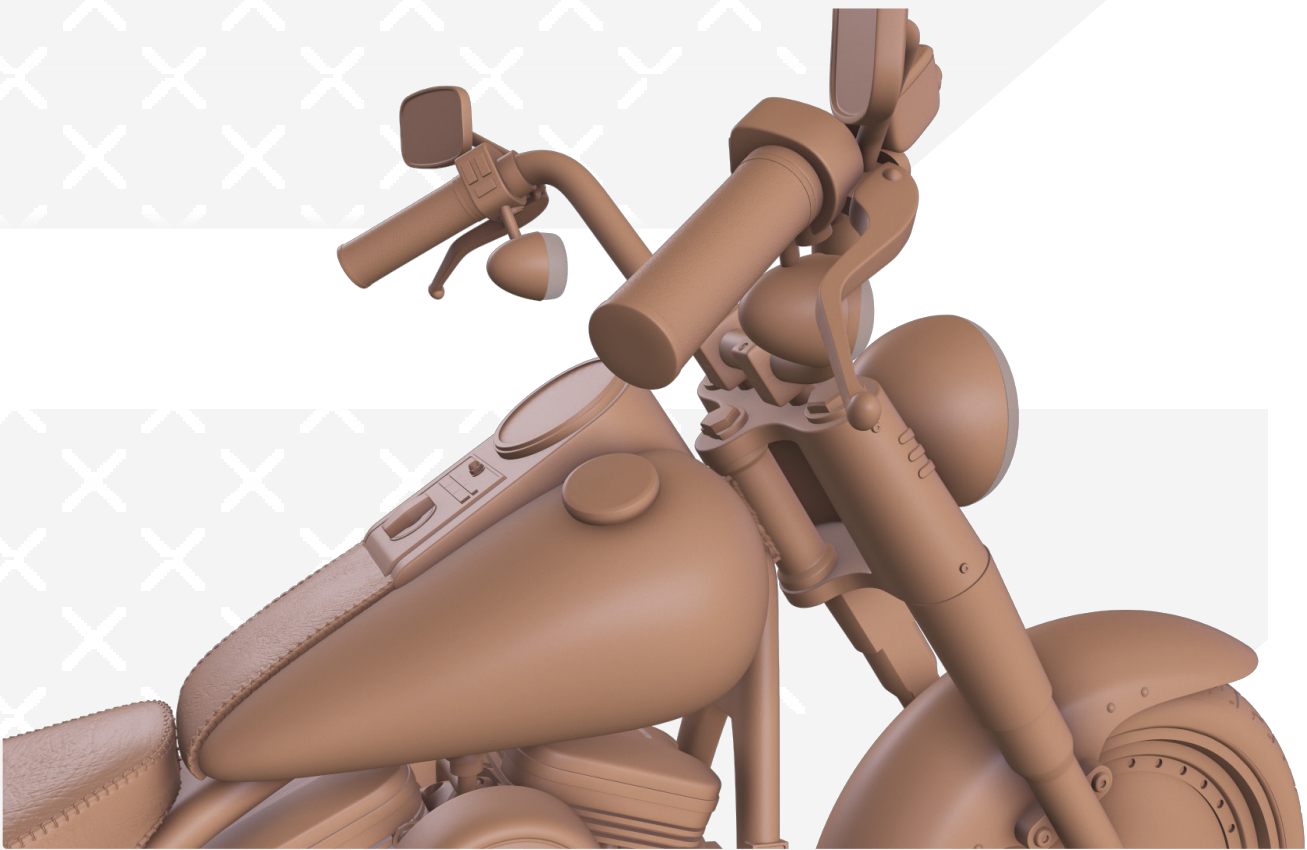
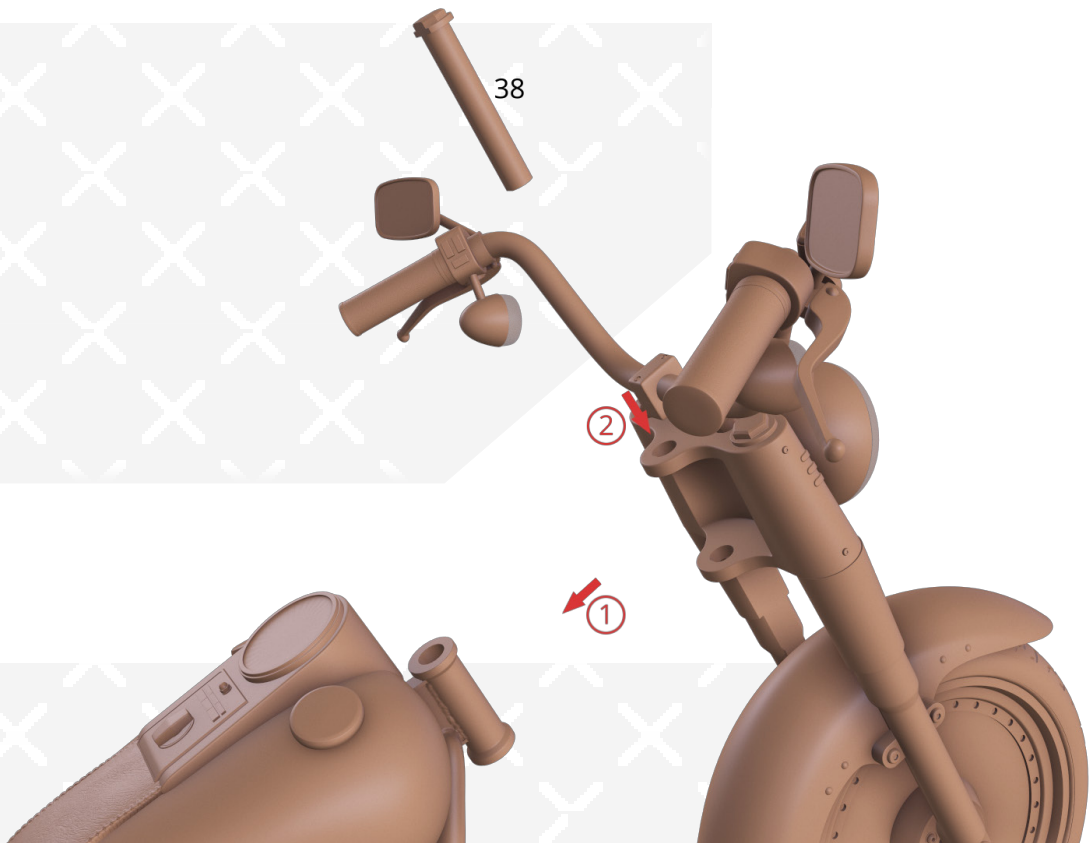
31



32

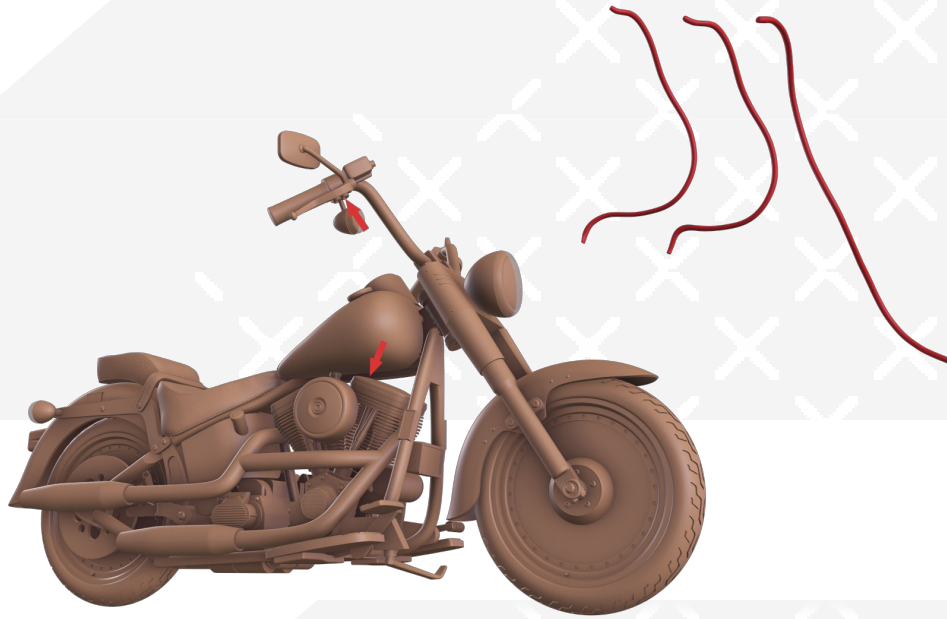


33





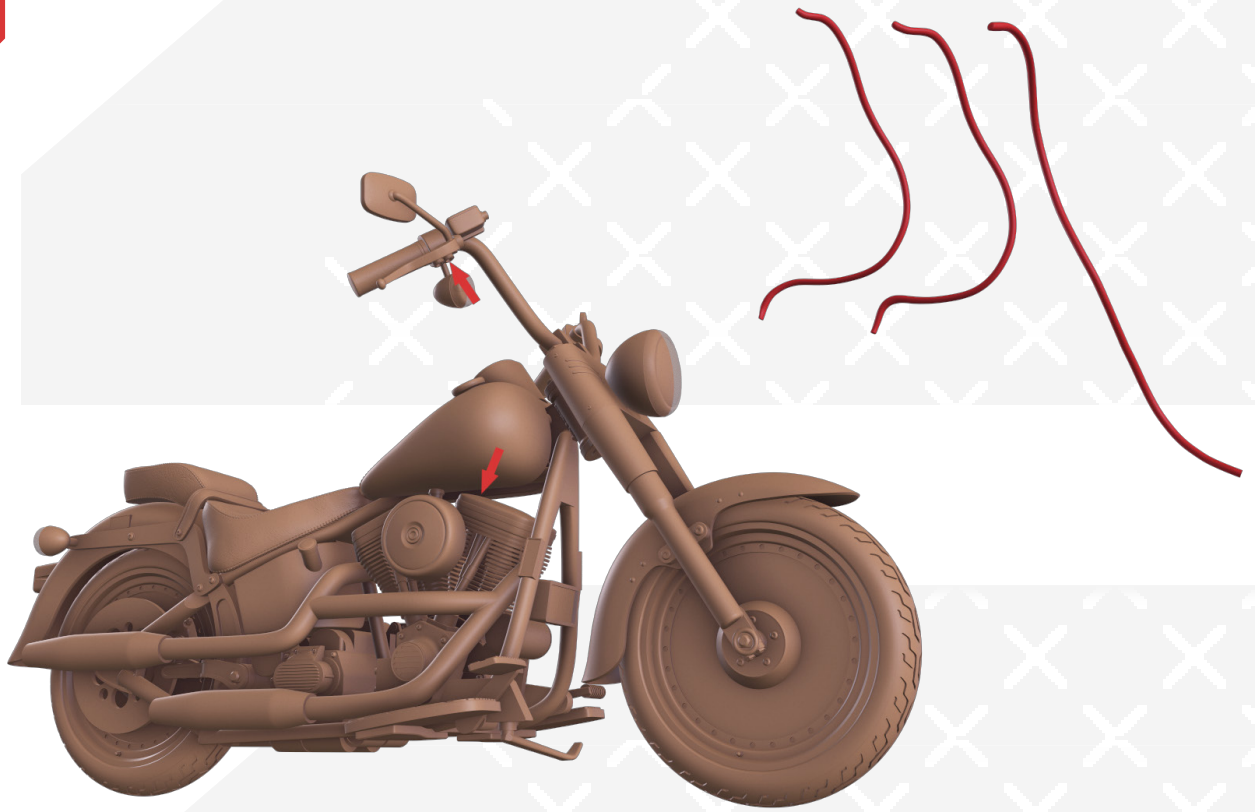
34



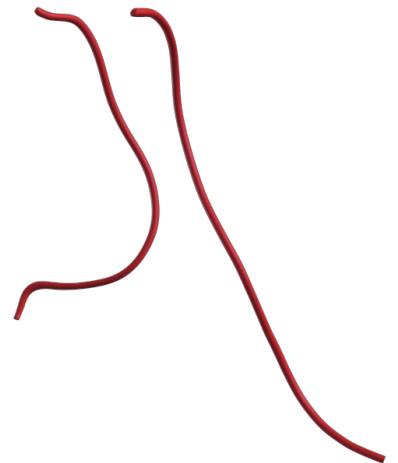
The red cables are not provided with STL files. You can use 1.75mm filament instead!



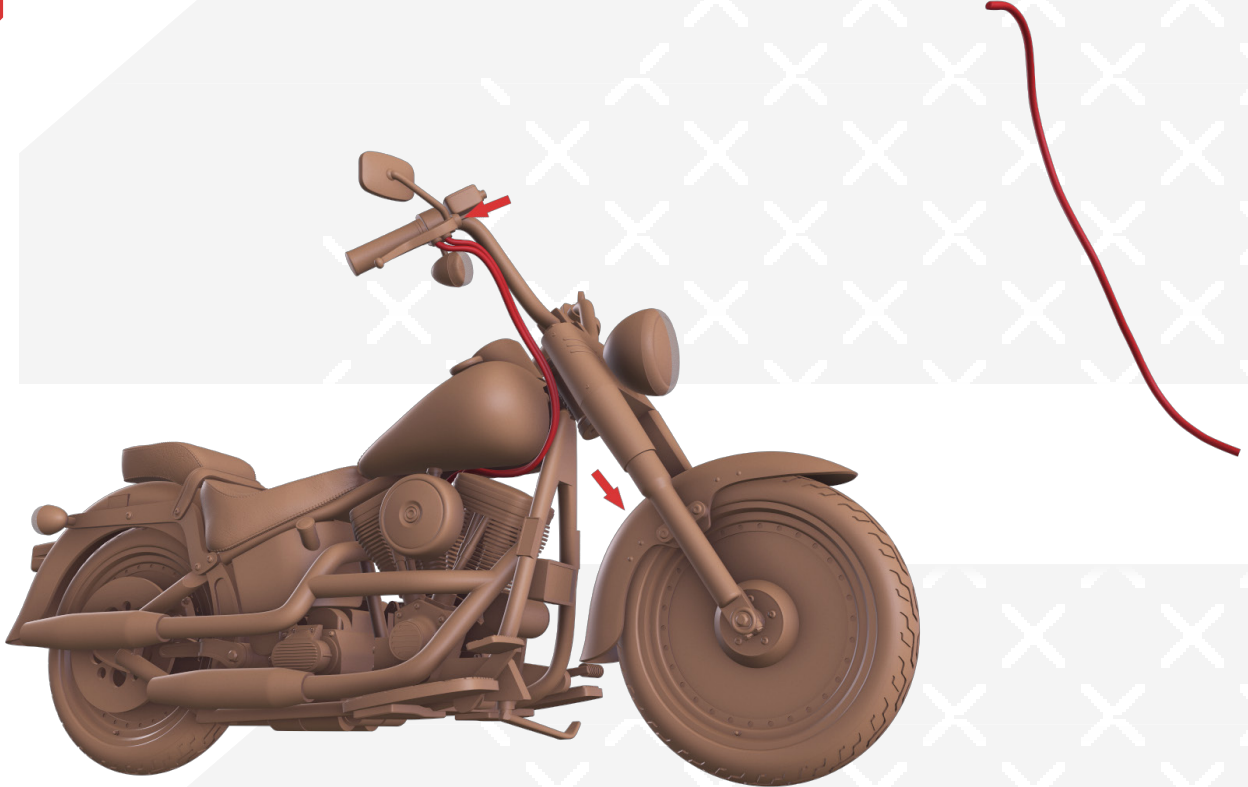
35



36



37



38



**STL** files of all 3D printing models come with **full technical support** from **Gam**body team for life. If you have any questions or if you want to have any changes introduced, please, write to us at [support@gambody.com](mailto:support@gambody.com).

Thank you for choosing  
**Gam**body!

